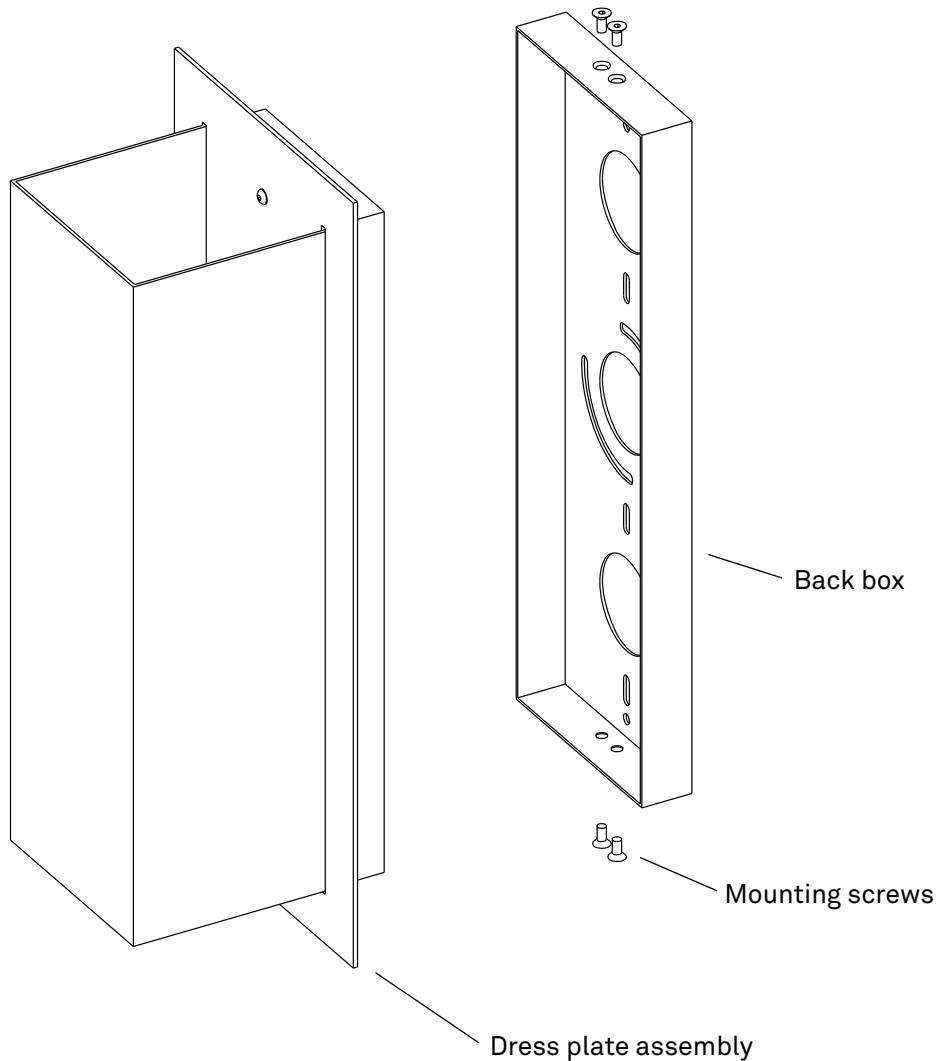


ASSEMBLY INSTRUCTIONS

BOX 14/22 CFL

DANGER - RISK OF SHOCK - DISCONNECT POWER BEFORE INSTALLATION

1. Attach back box to the junction box.
2. Make electrical connections per wiring diagram.
3. Affix dress plate assembly to the back box/junction box assembly with the provided mounting screws.



LAMP CONTAINS MERCURY
Manage in accordance with disposal laws
www.lamprecycle.org or 1-866-666-6850

RESOLUTE

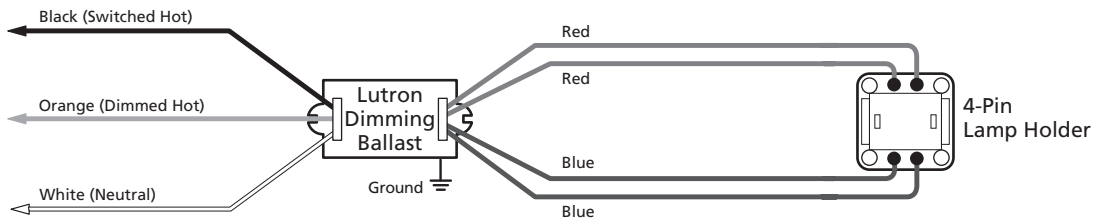
RESOLUTE is a registered trademark of MANIFESTO Corporation
4660 Ohio Avenue South, Unit C, Seattle WA 98134
www.resoluteonline.com info@resoluteusa.com



APPENDIX: WIRING DIAGRAMS

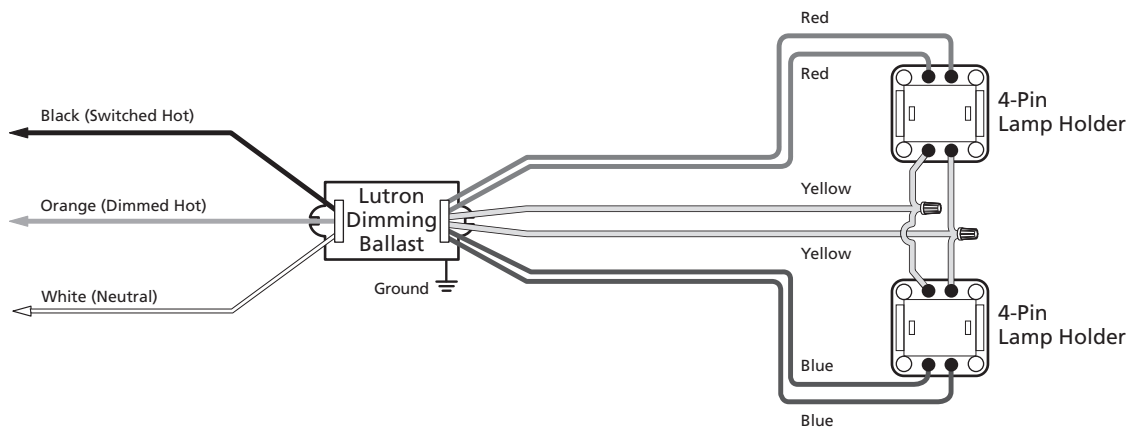
T4 1-Lamp 3-Wire Control Method

One Lamp



T4 2-Lamp 3-Wire Control Method

Two Lamps



Note: Ballast-to-lamp wire lead lengths must not exceed 3.00' (0.91m) for all wiring scenarios shown above.