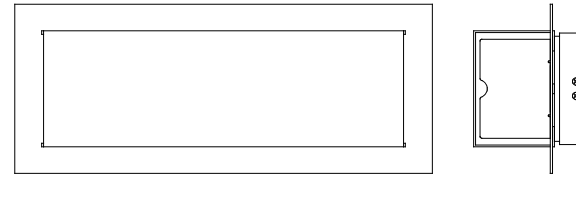
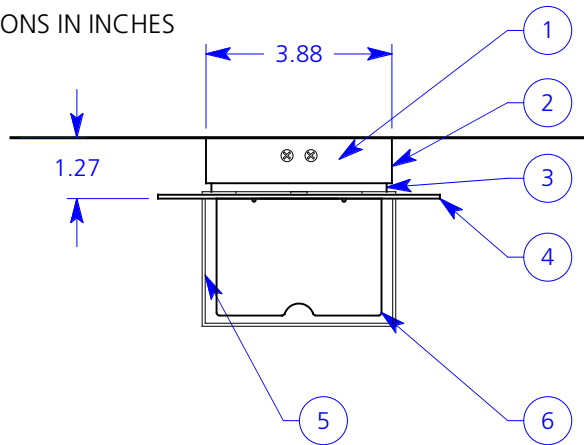
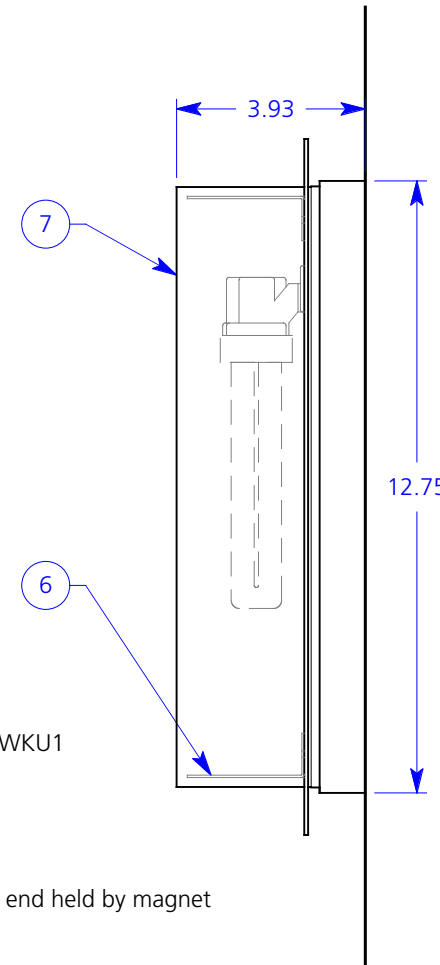
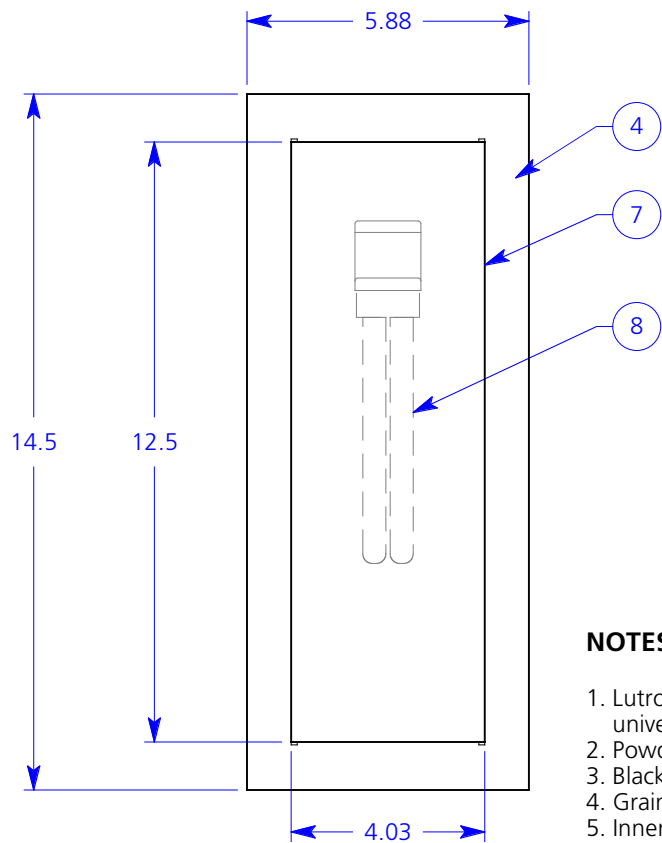


ALL DIMENSIONS IN INCHES



Optional end closure available on one or both sides - recommended when mounting fixture horizontally (CANNOT BE RETROFIT)



NOTES:

1. Lutron electronic ballast 5% dimming EC3DT4MWKU1 universal voltage 120~277v (inside back box)
2. Powder coated steel back box
3. Black powder coated steel inner box
4. Grained and anodized aluminum faceplate
5. Inner diffuser
6. Dull silver powder coated steel end closures (one end held by magnet and removable for relamping)
7. KnollTextiles Imago shade
8. 26 watt "double" G24q-3 base lamp (NIC)

Type: Quantity:

Approval signature:

Name:

Firm:

Date:

Box 14 Wall CFL - Dimming

Universal voltage

Finish options:

- 5814-26E**
satin anodized
dull silver powder coat
silver mounting screws
- 5814B-26E**
bronze anodized
black powder coat
black mounting screws

End closure options:

- B14E** - one end
- 2XB14E** - both ends

Shade color options:

- ALGN** - Allure Ginseng
- ALMD** - Allure Meditation
- ALOR** - Allure Orchid
- ALTK** - Allure Tiki
- ALWO** - Allure Willow
- PROB** - Progeny Blonde
- WSP** - Whisper
- WSPW** - Whisper Warm

RESOLUTE

4660 Ohio Ave. S, Unit C
Seattle, WA 98134
T 206.343.9323
F 888.346.8079
info@resoluteusa.com