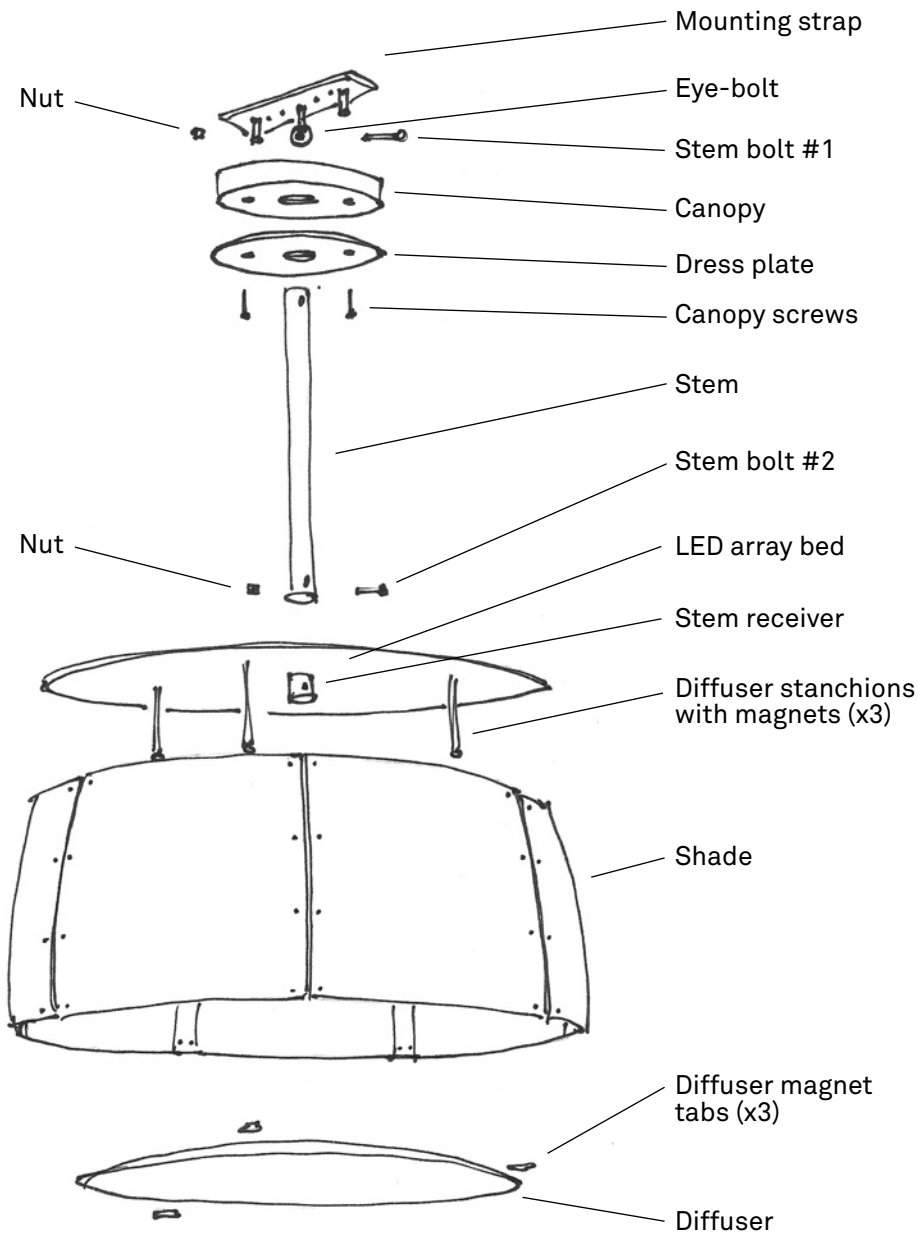


ASSEMBLY INSTRUCTIONS

BOMBER

DANGER - RISK OF SHOCK - DISCONNECT POWER BEFORE INSTALLATION



1. Attach mounting strap to junction box using appropriate hardware (NIC)
2. Complete step 1 electrical connection per wiring diagram (at ceiling)
3. Feed wires down through stem and align stem over mounting strap eye-bolt
4. Push stem bolt #1 through hole in both the stem and the eye-bolt, and tighten the nut against the stem
5. Slide the canopy and dress plate up the stem and fasten with canopy screws
6. Raise fixture up allowing the stem to pass through the stem receiver
7. Push stem bolt #2 through holes in the stem and receiver, then install nut and tighten
8. Complete step 2 electrical connection per wiring diagram (inside fixture)
9. Raise diffuser up to diffuser stanchions and attach by placing steel magnet tabs on magnets at edge of diffuser

RESOLUTE

RESOLUTE is a registered trademark of
MANIFESTO Corporation, Seattle WA
www.resoluteonline.com info@resoluteusa.com