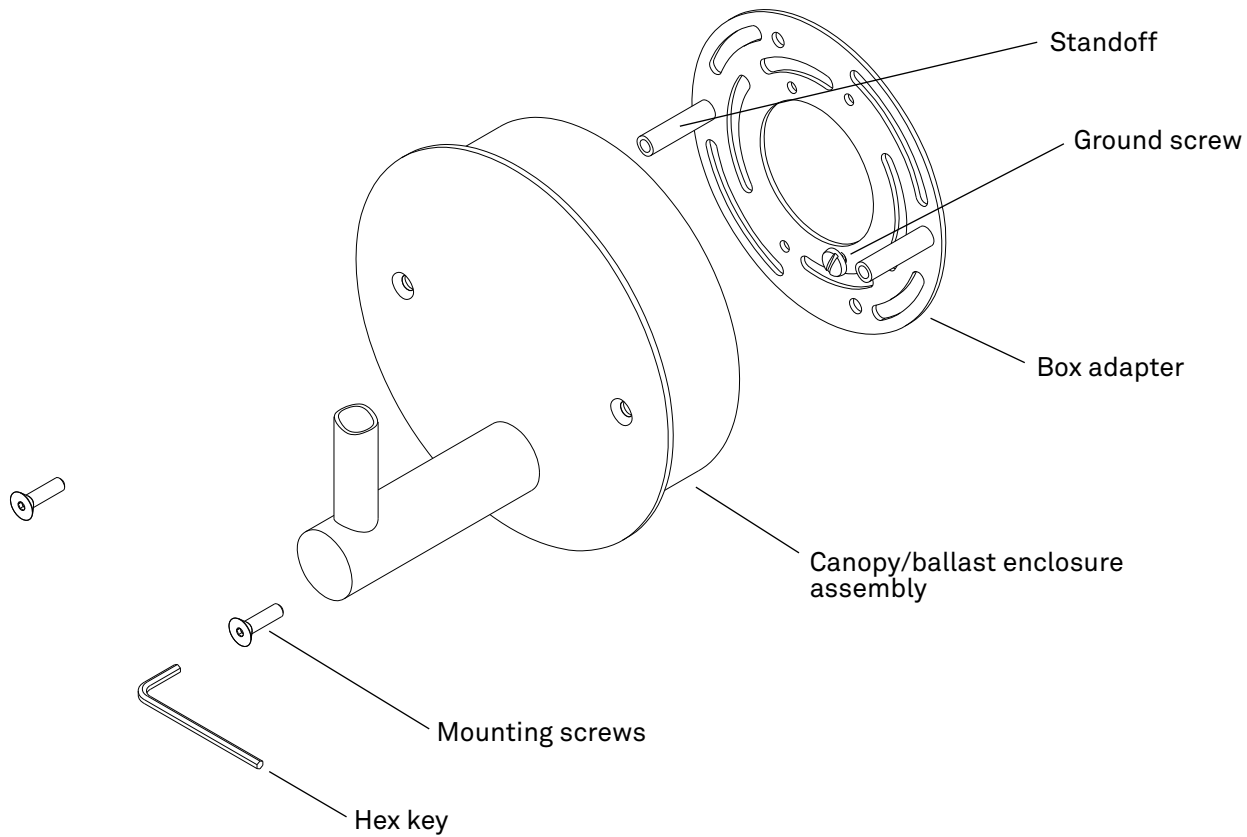


ASSEMBLY INSTRUCTIONS

CFL WALL/ROUND

DANGER - RISK OF SHOCK - DISCONNECT POWER BEFORE INSTALLATION

1. Attach box adapter to the junction box.
2. Make electrical connections per wiring diagram.
3. Affix canopy assembly to the box adapter/junction box assembly with the provided mounting screws.



RESOLUTE

RESOLUTE is a registered trademark of MANIFESTO Corporation
4660 Ohio Avenue South, Unit C, Seattle WA 98134
www.resoluteonline.com info@resoluteusa.com

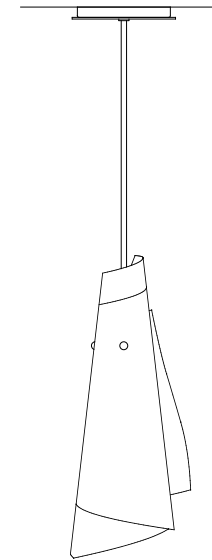
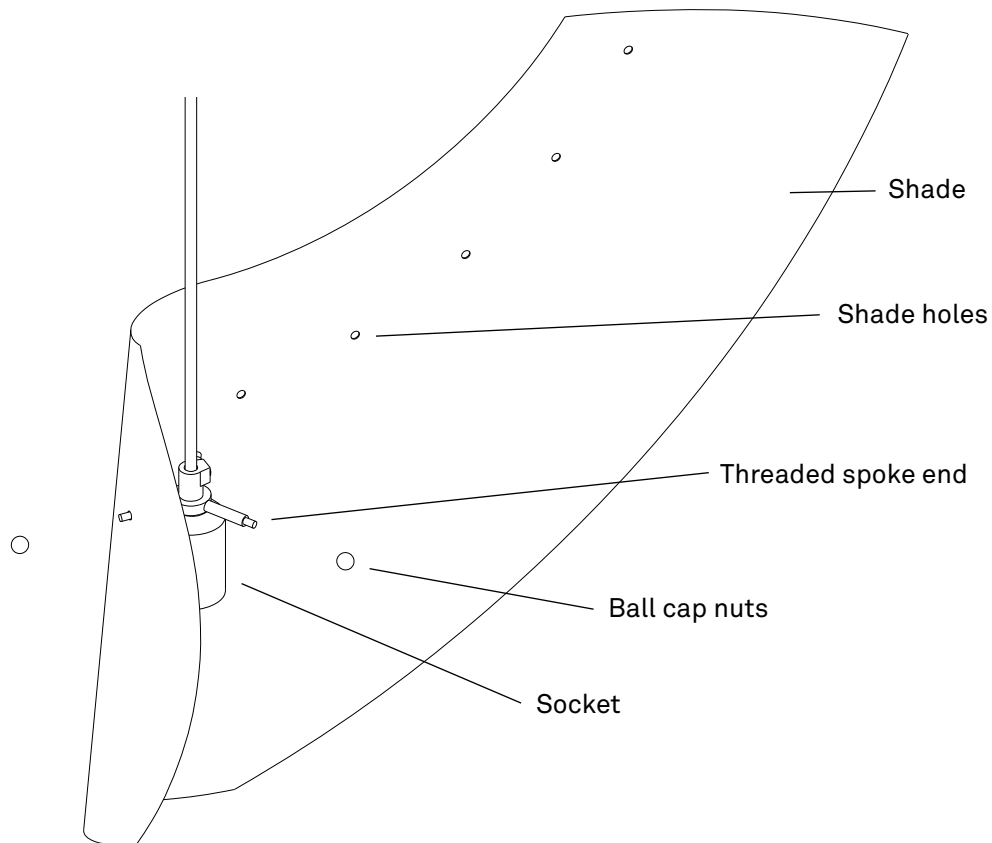


ASSEMBLY INSTRUCTIONS

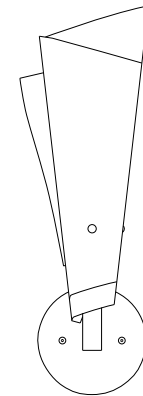
SHANG-TU

Universal shade assembly

1. Remove each ball cap nut from the threaded spoke ends.
2. Starting from the wide end of the shade, insert one spoke end into the first shade hole. For Shang-Tu wall, start on the back left spoke and coil counter clockwise.
3. Coil the shade around the socket inserting each spoke into each consecutive hole.
4. Replace each ball cap nut.



Pendant



Wall

RESOLUTE

RESOLUTE is a registered trademark of MANIFESTO Corporation
4660 Ohio Avenue South, Unit C, Seattle WA 98134
www.resoluteonline.com info@resoluteusa.com



