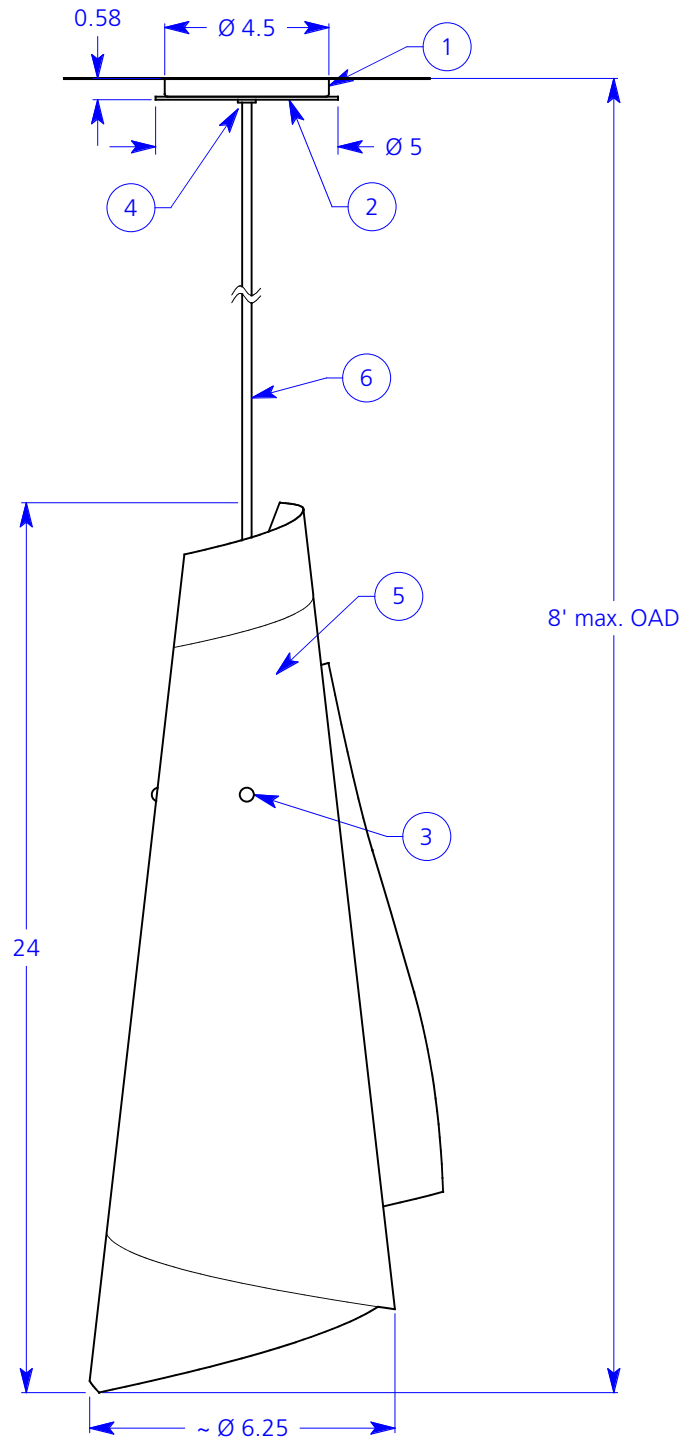


ALL DIMENSIONS IN INCHES



NOTES:

1. Powder coated steel canopy
2. Ø 5" grained and anodized aluminum faceplate
3. Ø 3/8" threaded balls
4. Brushed nickel cord bushing
5. Aramid/Mylar composite diffuser
6. Black electrical cord (field cut to length)

Type: Quantity:

Approval signature:

Name:

Firm:

Date:

Shang-Tu Large Pendant

60 watt incandescent E26 base lamp (NIC)

Finish options:

- 182**
satin anodized
satin nickel balls
dull silver powder coat
- 182B**
bronze anodized
blackened balls
black powder coat

RESOLUTE

4660 Ohio Ave. S, Unit C
Seattle, WA 98134
T 206.343.9323
F 888.346.8079
info@resoluteusa.com

