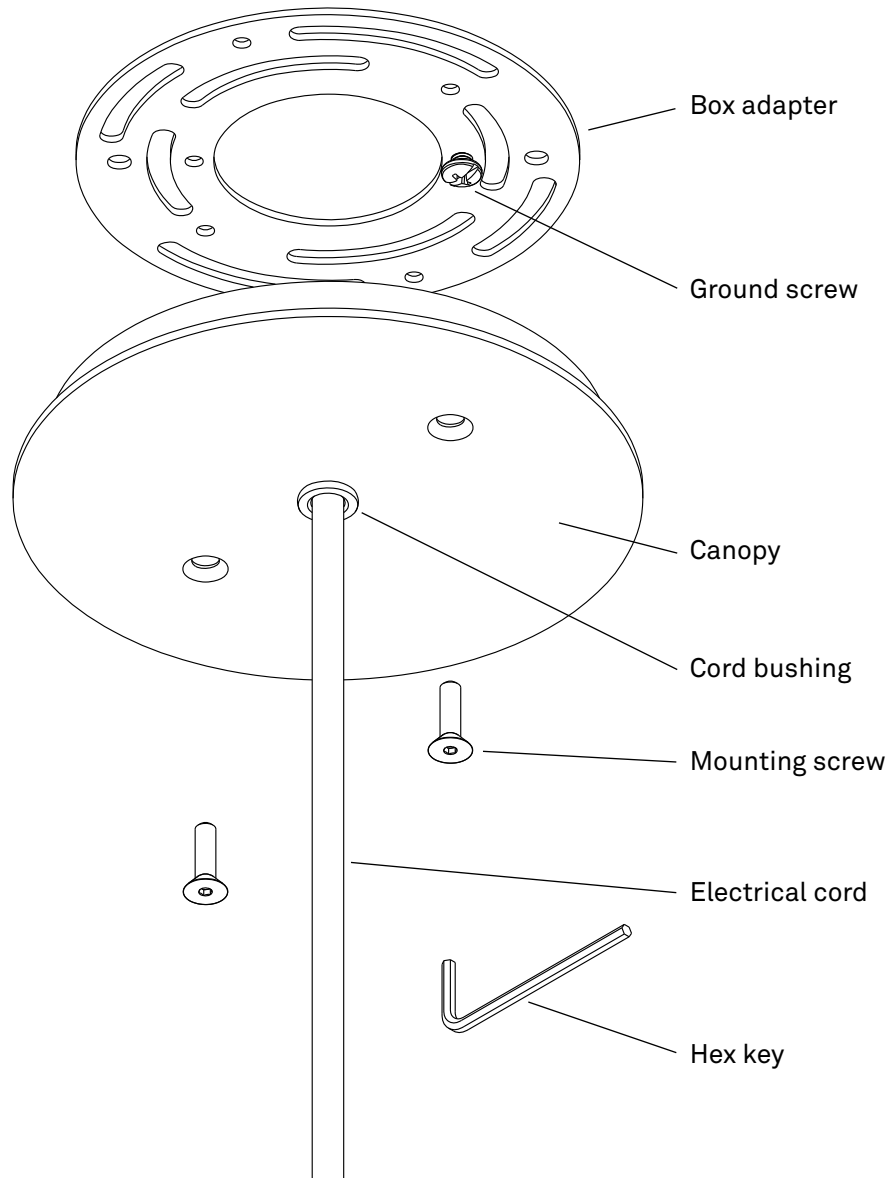


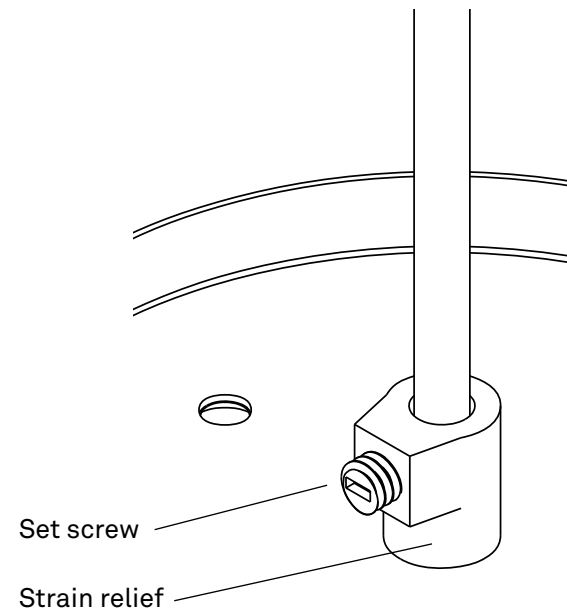
ASSEMBLY INSTRUCTIONS

STANDARD PENDANT



DANGER - RISK OF SHOCK - DISCONNECT POWER BEFORE INSTALLATION

1. Determine drop length. Measure, trim and strip electrical cord to the appropriate length.
2. Attach box adapter to the junction box.
3. Feed cord through cord bushing and strain relief (with set screw backed out for clearance) in canopy assembly.
4. Make electrical connections per wiring diagram.
5. Tighten set screw in the strain relief to secure electrical cord when desired drop length has been achieved.
6. Affix canopy to the junction box/box adapter assembly with the two mounting screws provided.



RESOLUTE

RESOLUTE is a registered trademark of MANIFESTO Corporation
4660 Ohio Avenue South, Unit C, Seattle WA 98134
www.resoluteonline.com info@resoluteusa.com

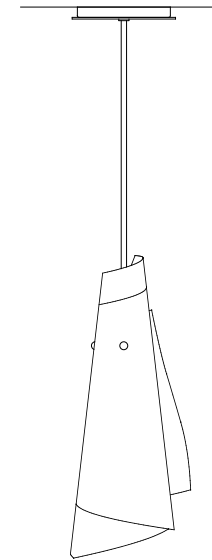
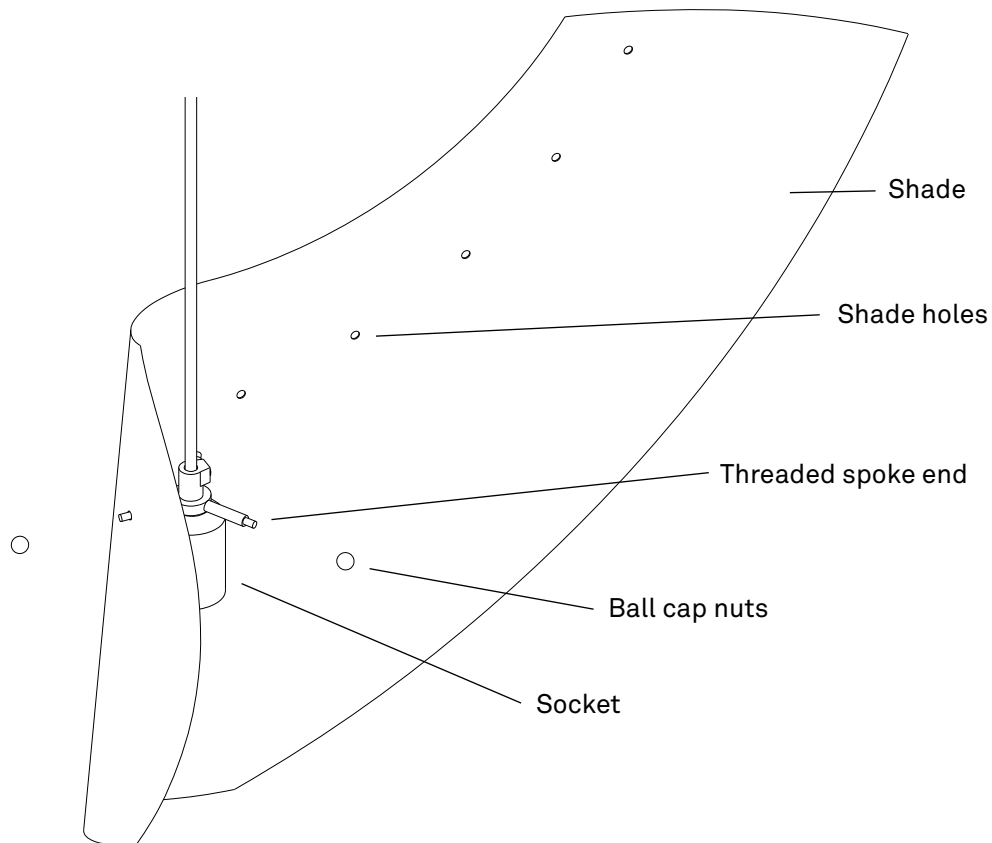


ASSEMBLY INSTRUCTIONS

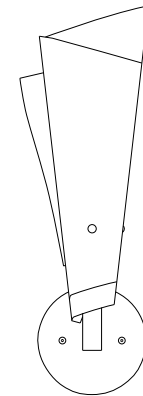
SHANG-TU

Universal shade assembly

1. Remove each ball cap nut from the threaded spoke ends.
2. Starting from the wide end of the shade, insert one spoke end into the first shade hole. For Shang-Tu wall, start on the back left spoke and coil counter clockwise.
3. Coil the shade around the socket inserting each spoke into each consecutive hole.
4. Replace each ball cap nut.



Pendant



Wall

RESOLUTE

RESOLUTE is a registered trademark of MANIFESTO Corporation
4660 Ohio Avenue South, Unit C, Seattle WA 98134
www.resoluteonline.com info@resoluteusa.com



