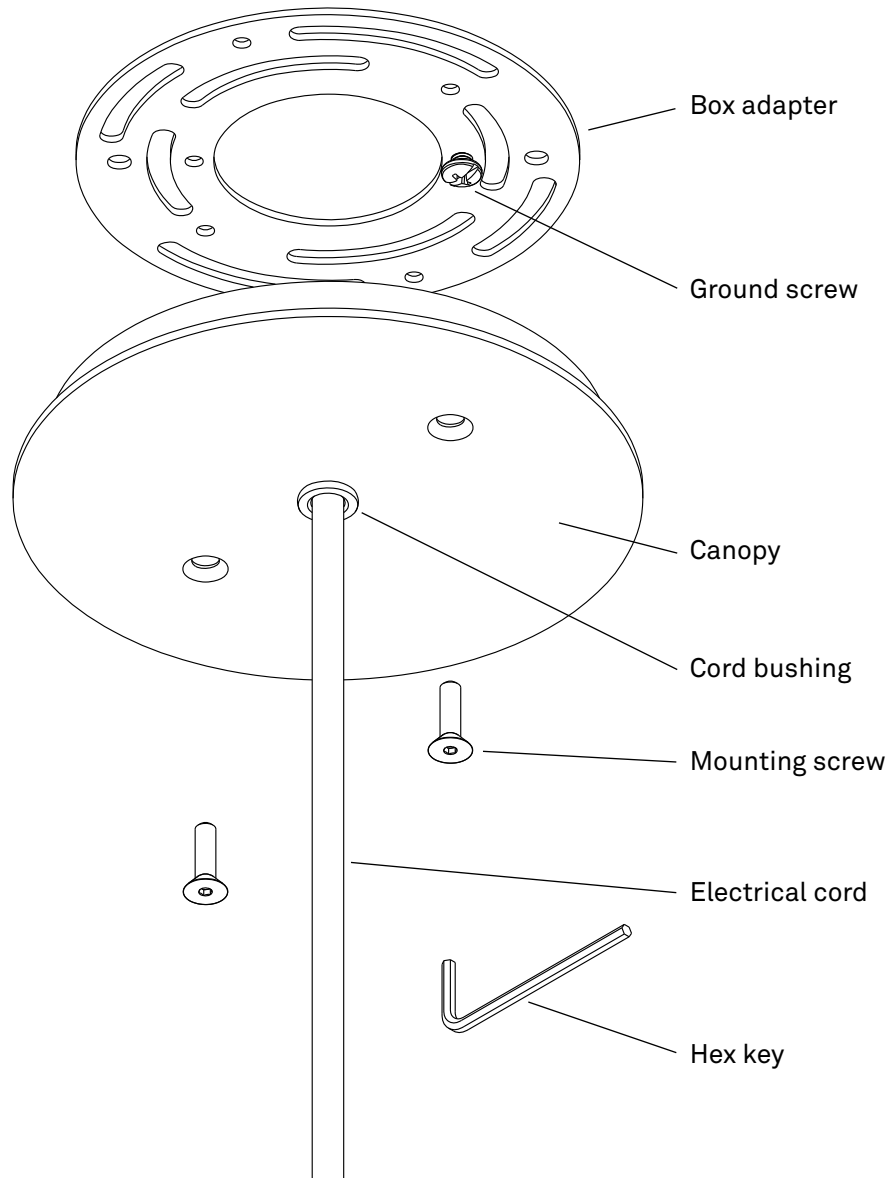


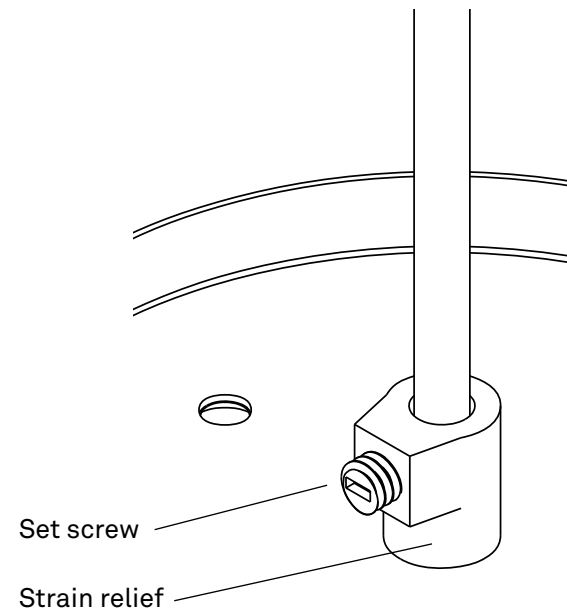
# ASSEMBLY INSTRUCTIONS

## STANDARD PENDANT



**DANGER - RISK OF SHOCK - DISCONNECT POWER BEFORE INSTALLATION**

1. Determine drop length. Measure, trim and strip electrical cord to the appropriate length.
2. Attach box adapter to the junction box.
3. Feed cord through cord bushing and strain relief (with set screw backed out for clearance) in canopy assembly.
4. Make electrical connections per wiring diagram.
5. Tighten set screw in the strain relief to secure electrical cord when desired drop length has been achieved.
6. Affix canopy to the junction box/box adapter assembly with the two mounting screws provided.



# RESOLUTE

RESOLUTE is a registered trademark of MANIFESTO Corporation  
4660 Ohio Avenue South, Unit C, Seattle WA 98134  
[www.resoluteonline.com](http://www.resoluteonline.com) [info@resoluteusa.com](mailto:info@resoluteusa.com)



