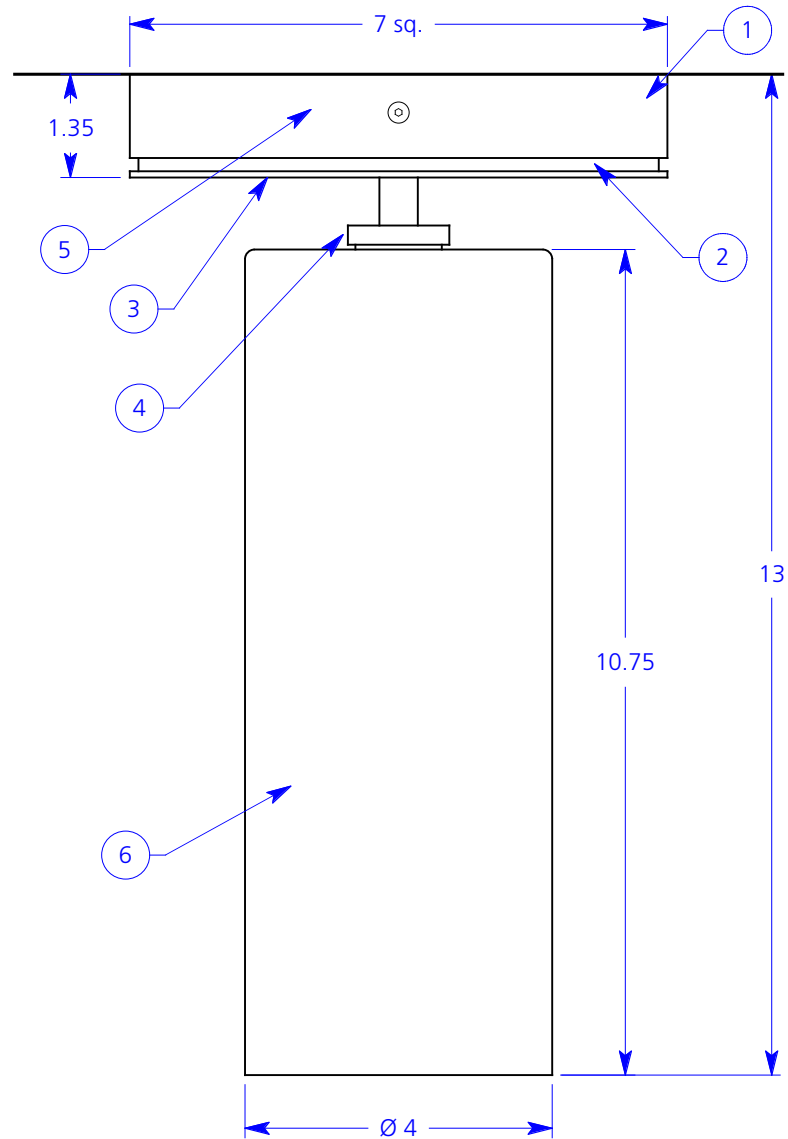


ALL DIMENSIONS IN INCHES



NOTES:

1. Powder coated steel back box
2. Black powder coated steel inner box
3. 7" square grained and anodized aluminum faceplate
4. Grained and anodized aluminum hardware
5. Lutron EcoSystem 5% dimming ballast EC3DT4MWKU1 (inside back box)
6. Opal white hand blown glass shade

Type: Quantity:

Approval signature:

Name:

Firm:

Date:

Otto 2 CFL Ceiling - dimming

Universal voltage
26 watt "double" G24q-3 base lamp (NIC)

Finish options:

- 8032-26E-O**
satin anodized
dull silver powder coat
silver mounting screws
- 8032B-26E-O**
bronze anodized
black powder coat
black mounting screws

RESOLUTE

4660 Ohio Ave. S, Unit C
Seattle, WA 98134
T 206.343.9323
F 888.346.8079
info@resoluteusa.com

