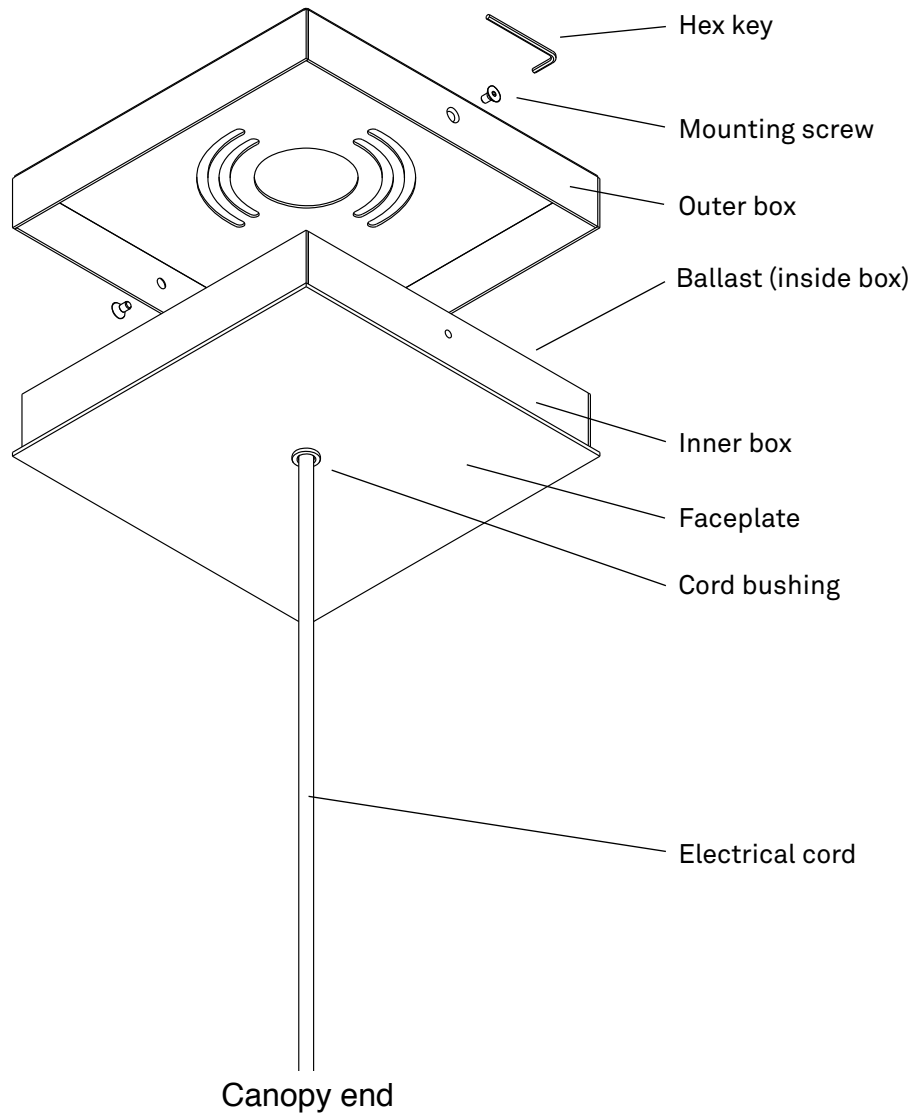


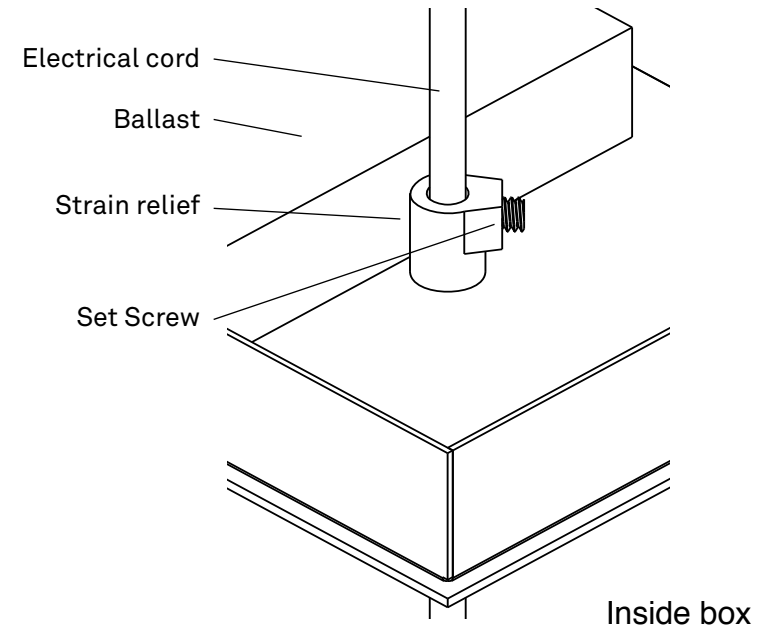
# ASSEMBLY INSTRUCTIONS

## LARGE SQUARE CFL PENDANT



**DANGER - RISK OF SHOCK - DISCONNECT POWER BEFORE INSTALLATION**

1. Mount the outer box to the junction box.
2. Determine drop length. Measure, trim and strip electrical cord to the appropriate length.
3. Feed cord through cord bushing and strain relief (with set screw backed out for clearance) on the inner box assembly.
4. Tighten set screw in the strain relief to secure electrical cord when desired drop length has been achieved.
5. Make electrical connections per wiring diagram.
6. Affix inner box assembly to the junction box/outer box assembly with the two mounting screws provided.



LAMP CONTAINS MERCURY
Manage in accordance with disposal laws
<a href="http://www.lamprecycle.org">www.lamprecycle.org</a> or 1-866-666-6850

**RESOLUTE**

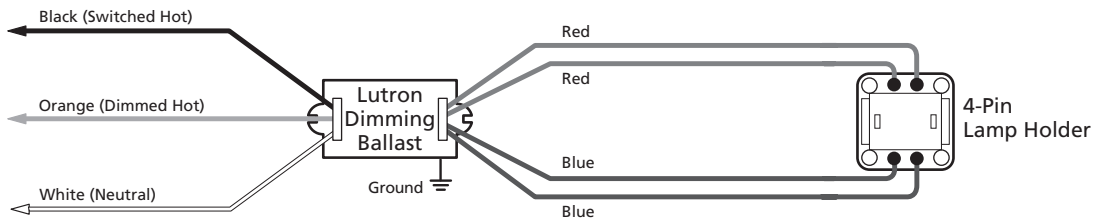
RESOLUTE is a registered trademark of MANIFESTO Corporation  
4660 Ohio Avenue South, Unit C, Seattle WA 98134  
[www.resoluteonline.com](http://www.resoluteonline.com) [info@resoluteusa.com](mailto:info@resoluteusa.com)



# APPENDIX: WIRING DIAGRAMS

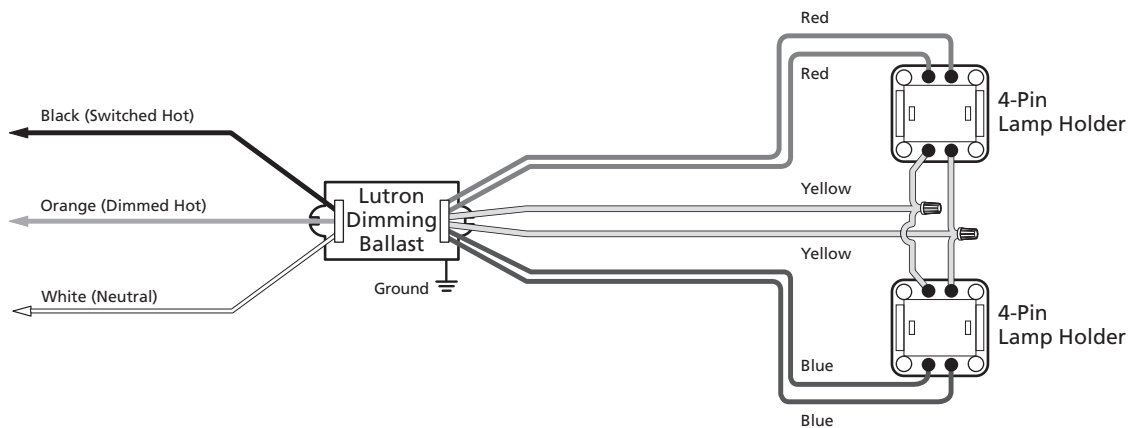
## T4 1-Lamp 3-Wire Control Method

### One Lamp



## T4 2-Lamp 3-Wire Control Method

### Two Lamps



Note: Ballast-to-lamp wire lead lengths must not exceed 3.00' (0.91m) for all wiring scenarios shown above.