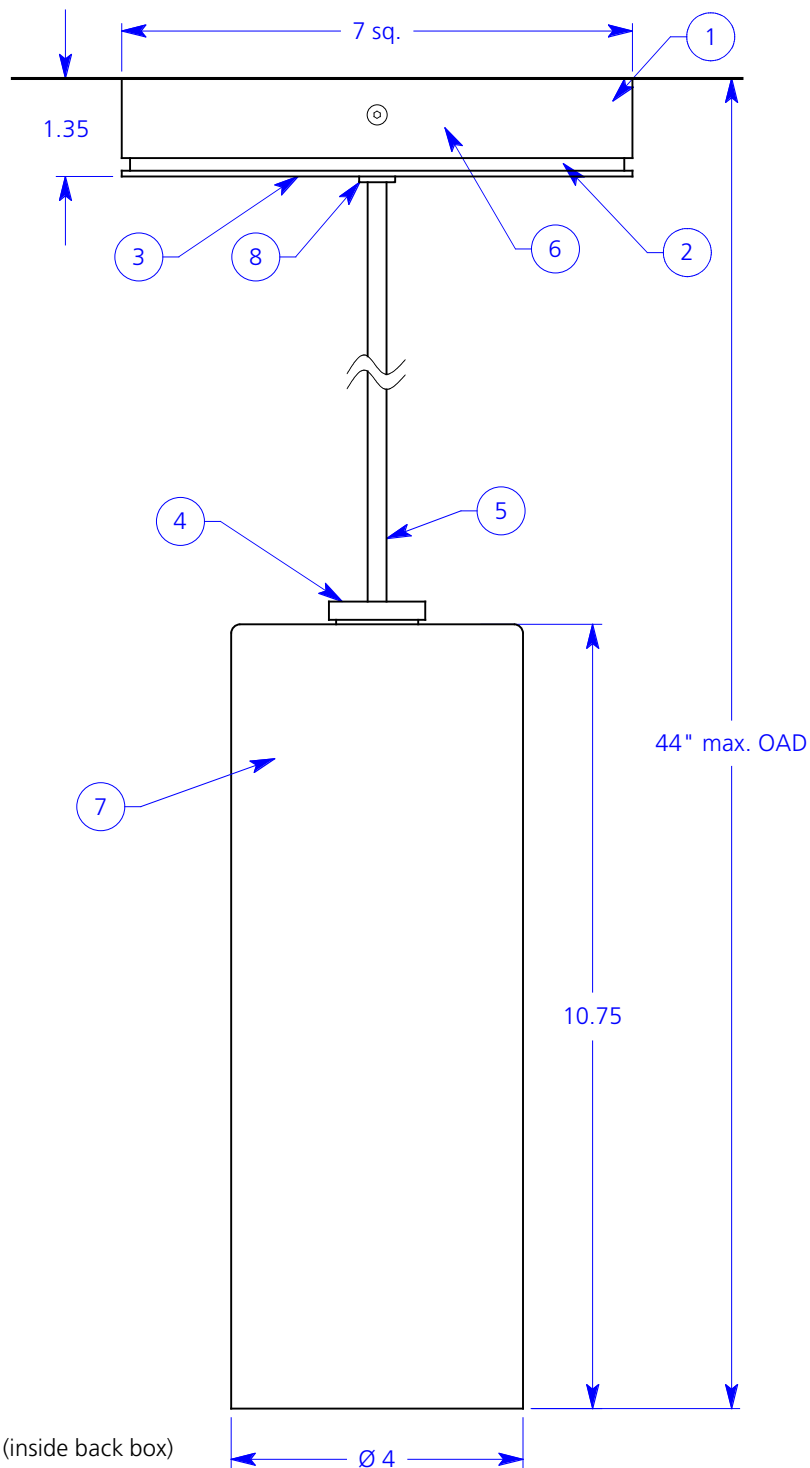


ALL DIMENSIONS IN INCHES



NOTES:

1. Powder coated steel back box
2. Black powder coated steel inner box
3. 7" square grained and anodized aluminum faceplate
4. Grained and anodized aluminum hardware
5. Black electrical cord (field cut to length)
6. Lutron EcoSystem 5% dimming ballast EC3DT4MWKU1 (inside back box)
7. Opal white hand blown glass shade
8. Brushed nickel cord bushing

Type:	Quantity:
-------	-----------

Approval signature:

Name:

Firm:

Date:

Otto 2 CFL Pendant - dimming
 Universal voltage
 26 watt "double" G24q-3 base lamp (NIC)

- Finish options:**
- 8002-26E-O**
 satin anodized
 dull silver powder coat
 silver mounting screws
 - 8002B-26E-O**
 bronze anodized
 black powder coat
 black mounting screws

RESOLUTE
 4660 Ohio Ave. S, Unit C
 Seattle, WA 98134
 T 206.343.9323
 F 888.346.8079
 info@resoluteusa.com

