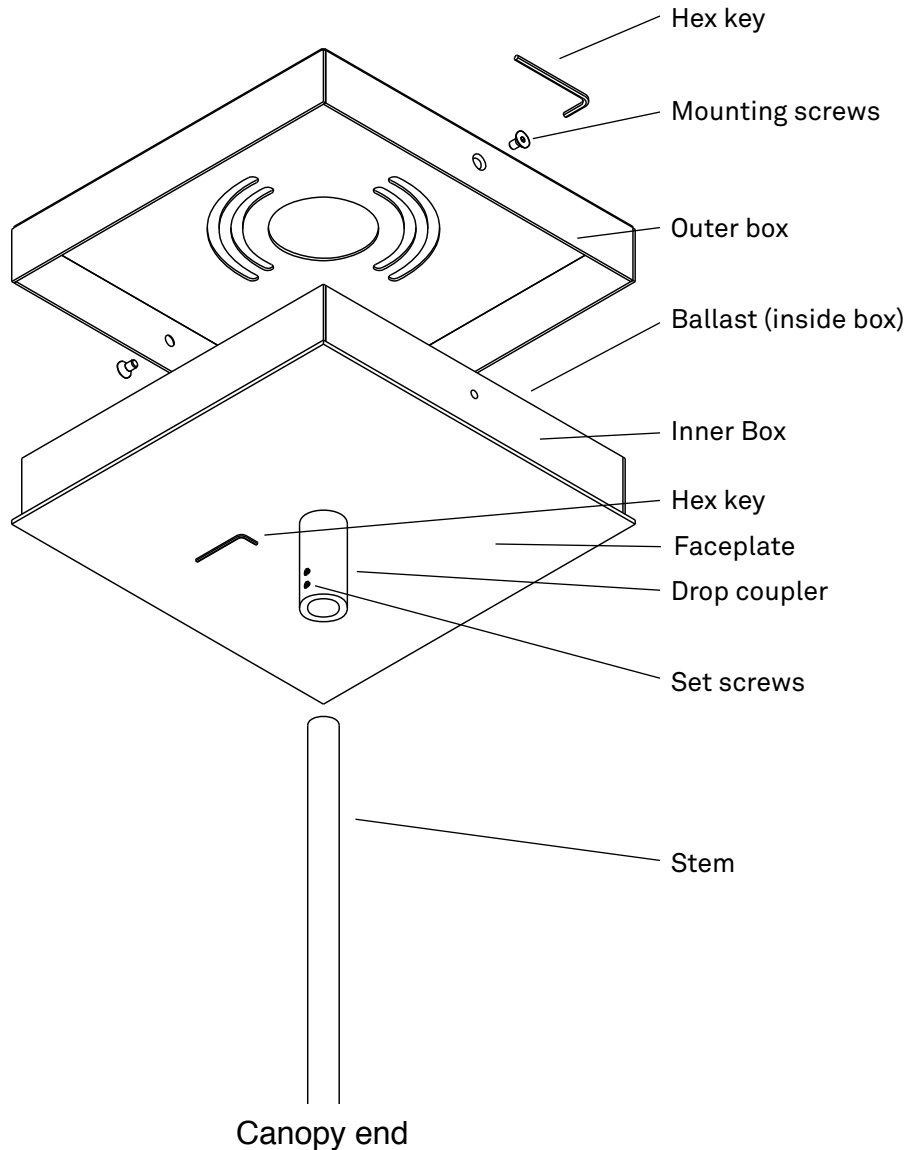


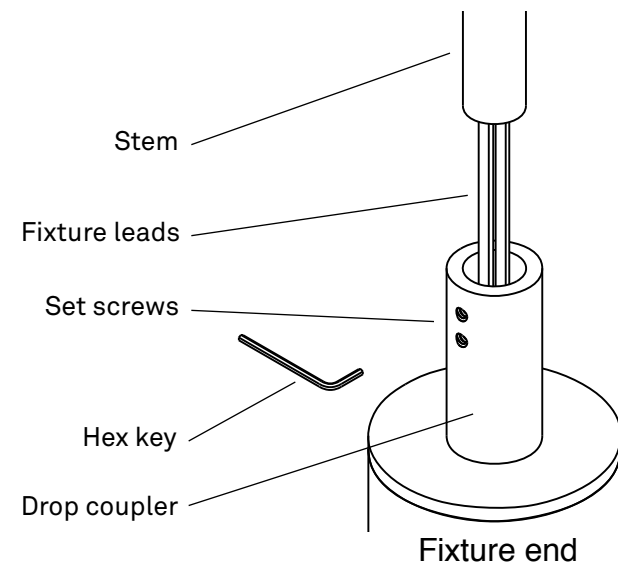
ASSEMBLY INSTRUCTIONS

LARGE SQUARE CFL DROP



DANGER - RISK OF SHOCK - DISCONNECT POWER BEFORE INSTALLATION

1. Mount the outer box to the junction box.
2. Determine drop length, trim and de-burr the stem to the appropriate length.
3. Loosen the set screws in both drop couplers so that the stem moves freely into the drop coupler.
4. Feed the fixture leads through the stem, seat the stem inside the drop coupler at the fixture end, and tighten the two set screws to secure the stem.
5. Feed the fixture leads through the drop coupler/canopy assembly. Seat the other end of the stem into the drop coupler on the canopy and tighten the two set screws to secure the stem.
6. Make electrical connections per wiring diagram.
7. Affix inner box assembly to the junction box/outer box assembly with the two mounting screws provided.



(Hg)	LAMP CONTAINS MERCURY
Manage in accordance with disposal laws	
www.lamprecycle.org or 1-866-666-6850	

RESOLUTE

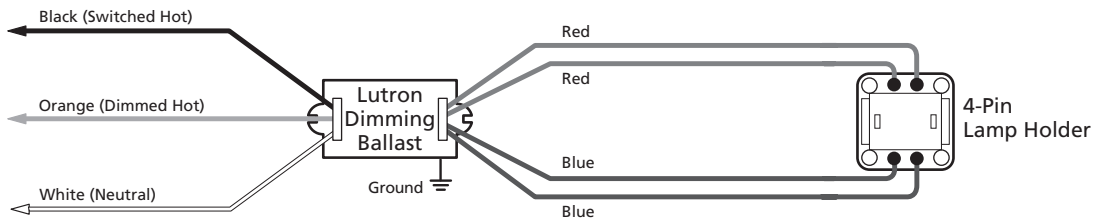
RESOLUTE is a registered trademark of MANIFESTO Corporation
 4660 Ohio Avenue South, Unit C, Seattle WA 98134
 www.resoluteonline.com info@resoluteusa.com



APPENDIX: WIRING DIAGRAMS

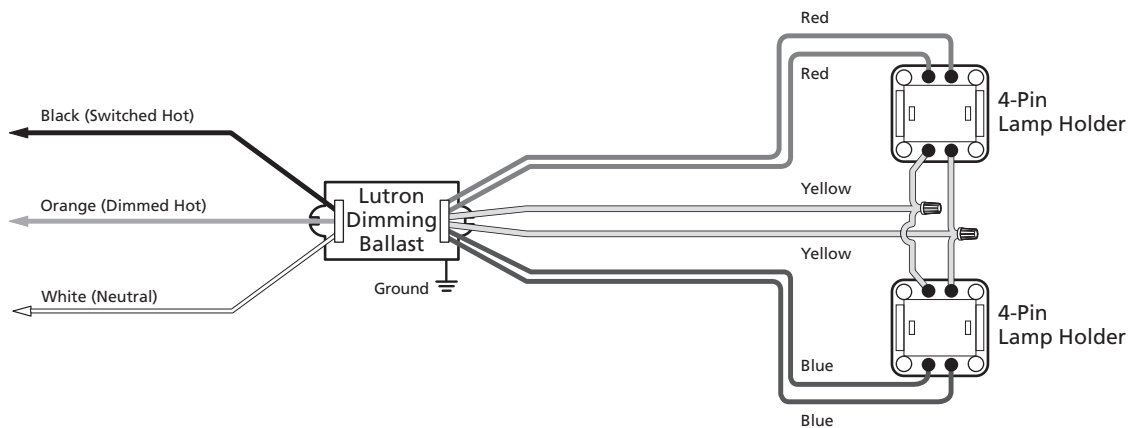
T4 1-Lamp 3-Wire Control Method

One Lamp



T4 2-Lamp 3-Wire Control Method

Two Lamps



Note: Ballast-to-lamp wire lead lengths must not exceed 3.00' (0.91m) for all wiring scenarios shown above.