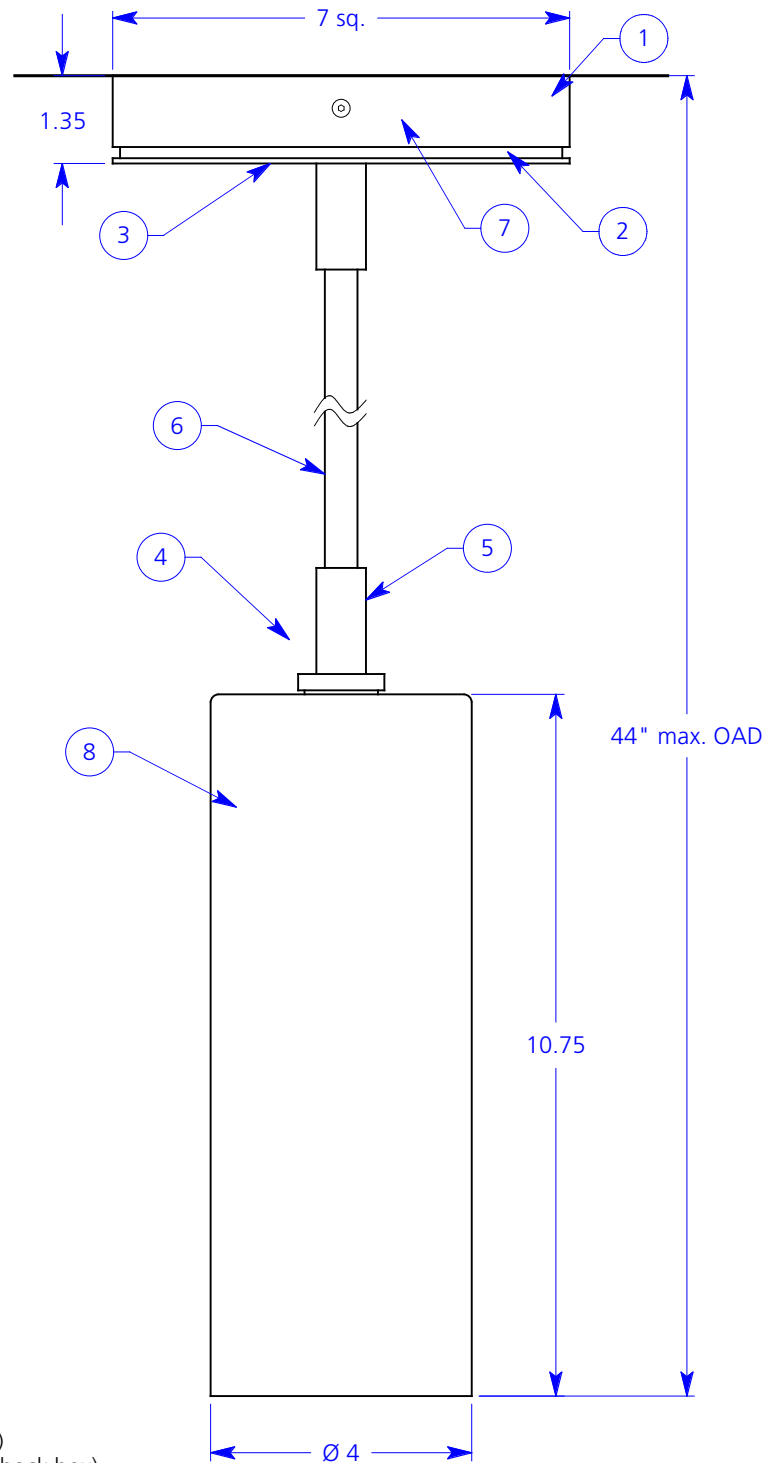


ALL DIMENSIONS IN INCHES



NOTES:

1. Powder coated steel back box
2. Black powder coated steel inner box
3. 7" square grained and anodized aluminum faceplate
4. Grained and anodized aluminum hardware
5. Grained and anodized aluminum coupler for field cut stem
6. Ø .5" grained and anodized aluminum stem (field cut to length)
7. Lutron EcoSystem 5% dimming ballast EC3DT4MWKU1 (inside back box)
8. Opal white hand blown glass shade

Type: Quantity:

Approval signature:

Name:

Firm:

Date:

Otto 2 CFL Rigid Drop - dimming

Universal voltage
26 watt "double" G24q-3 base
lamp (NIC)

Finish options:

- 8012-26E-O**
satin anodized
dull silver powder coat
silver mounting screws
- 8012B-26E-O**
bronze anodized
black powder coat
black mounting screws

RESOLUTE

4660 Ohio Ave. S, Unit C
Seattle, WA 98134
T 206.343.9323
F 888.346.8079
info@resoluteusa.com

