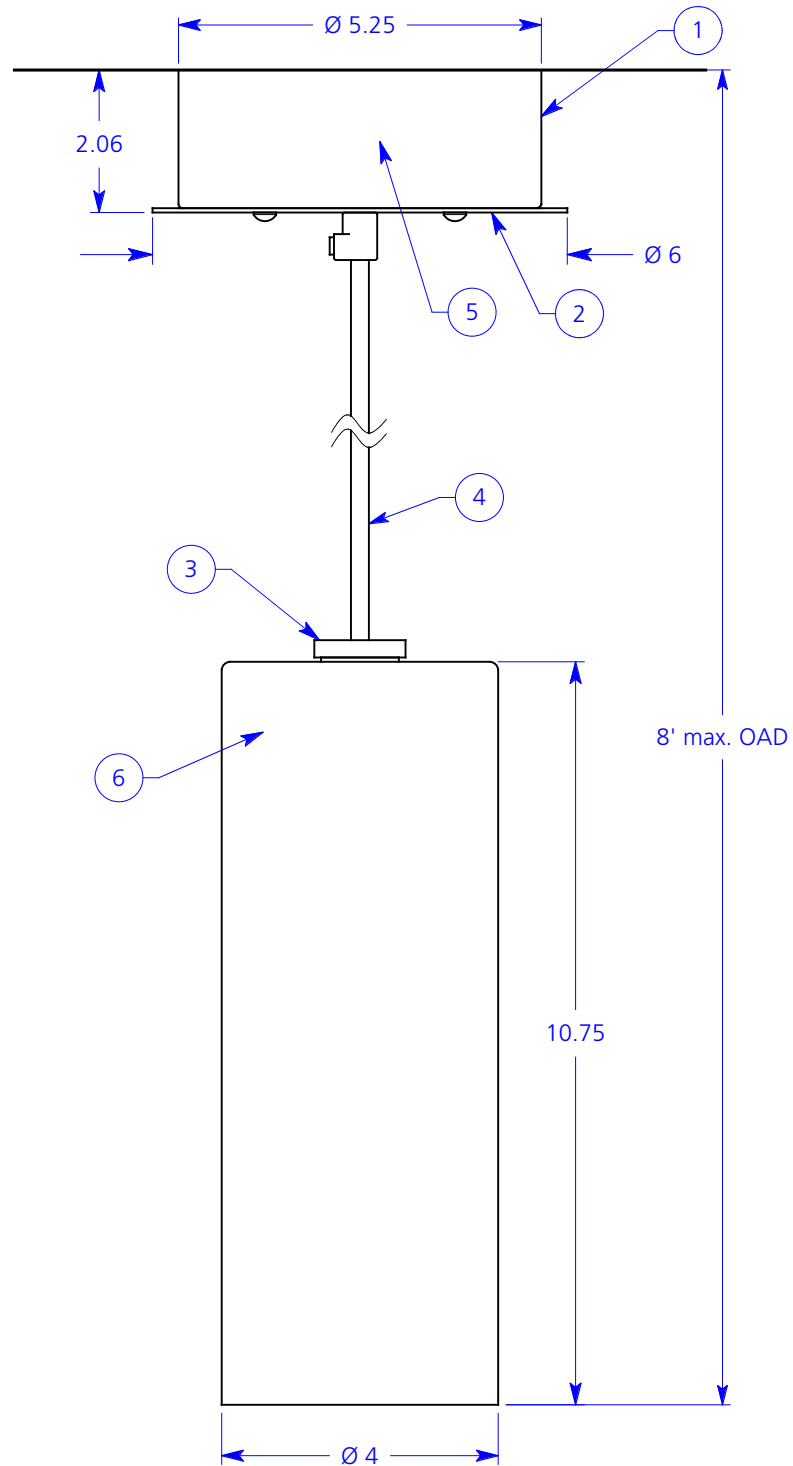


ALL DIMENSIONS IN INCHES



**NOTES:**

1. Powder coated steel canopy
2. Grained and anodized aluminum faceplate
3. Grained and anodized aluminum hardware
4. Black electrical cord (field cut to length)
5. Fulham electronic ballast RH2-UNV-218-C (inside canopy)
6. Opal white hand blown glass shade

Type: Quantity:

Approval signature:

Name:

Firm:

Date:

**Otto 2 CFL Contract Pendant**

Universal voltage  
18 watt "double" G24q-2 base  
lamp (NIC)

**Finish options:**

- 8001-18-O**  
satin anodized  
dull silver powder coat  
silver mounting screws
- 8001B-18-O**  
bronze anodized  
black powder coat  
black mounting screws

**RESOLUTE**

4660 Ohio Ave. S, Unit C  
Seattle, WA 98134  
T 206.343.9323  
F 888.346.8079  
info@resoluteusa.com

