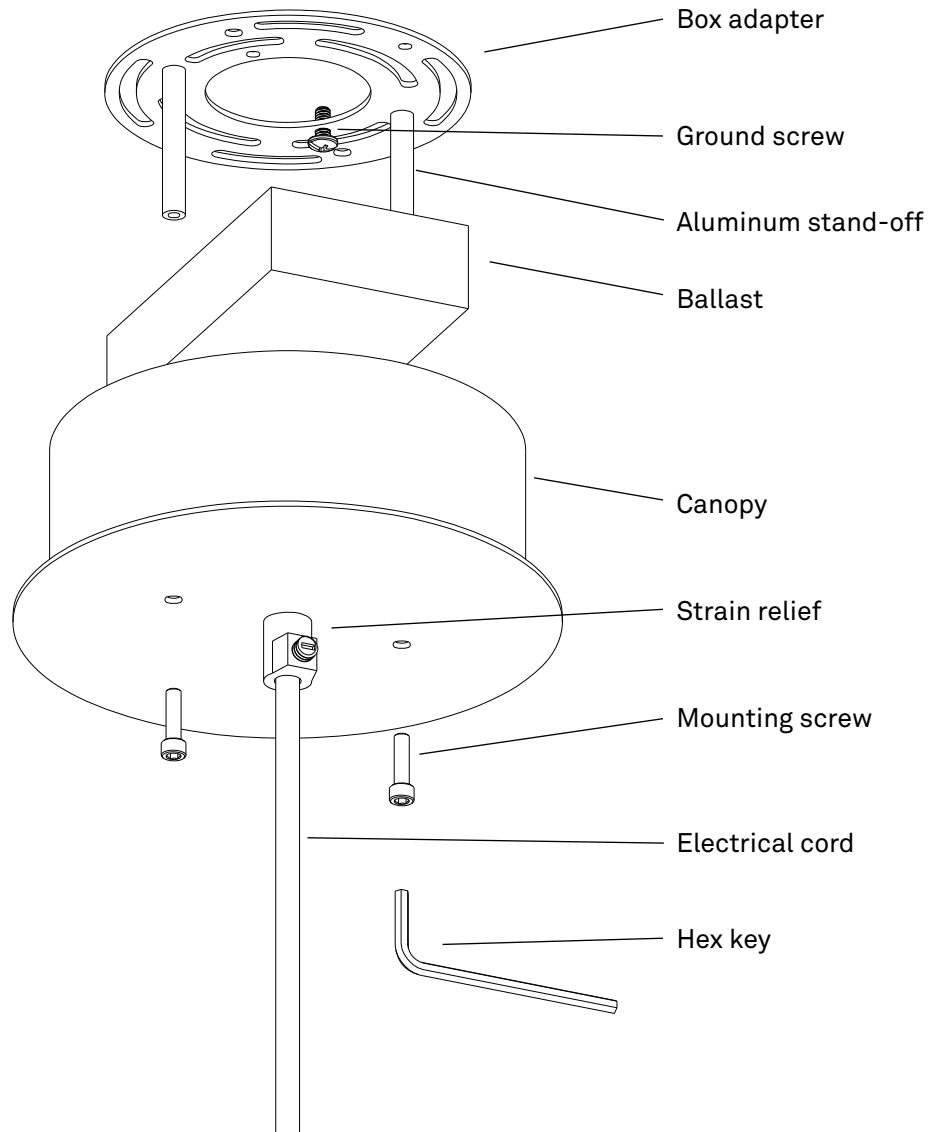



ASSEMBLY INSTRUCTIONS

CONTRACT PENDANT



DANGER - RISK OF SHOCK - DISCONNECT POWER BEFORE INSTALLATION

1. Attach box adapter assembly to the junction box.
2. Determine drop length. Measure, trim and strip electrical cord to the appropriate length.
3. Feed cord through strain relief (with set screw backed out for clearance).
4. Make electrical connections per wiring diagram.
5. Affix canopy to the box adapter/junction box assembly by aligning the ends of the standoffs with the holes in the canopy and then threading the mounting screws through the canopy and into the standoffs.
6. Tighten set screw in the strain relief to secure electrical cord when desired drop length has been achieved.

 LAMP CONTAINS MERCURY
Manage in accordance with disposal laws
www.lamprecycle.org or 1-866-666-6850

RESOLUTE

RESOLUTE is a registered trademark of MANIFESTO Corporation
4660 Ohio Avenue South, Unit C, Seattle WA 98134
www.resoluteonline.com info@resoluteusa.com



