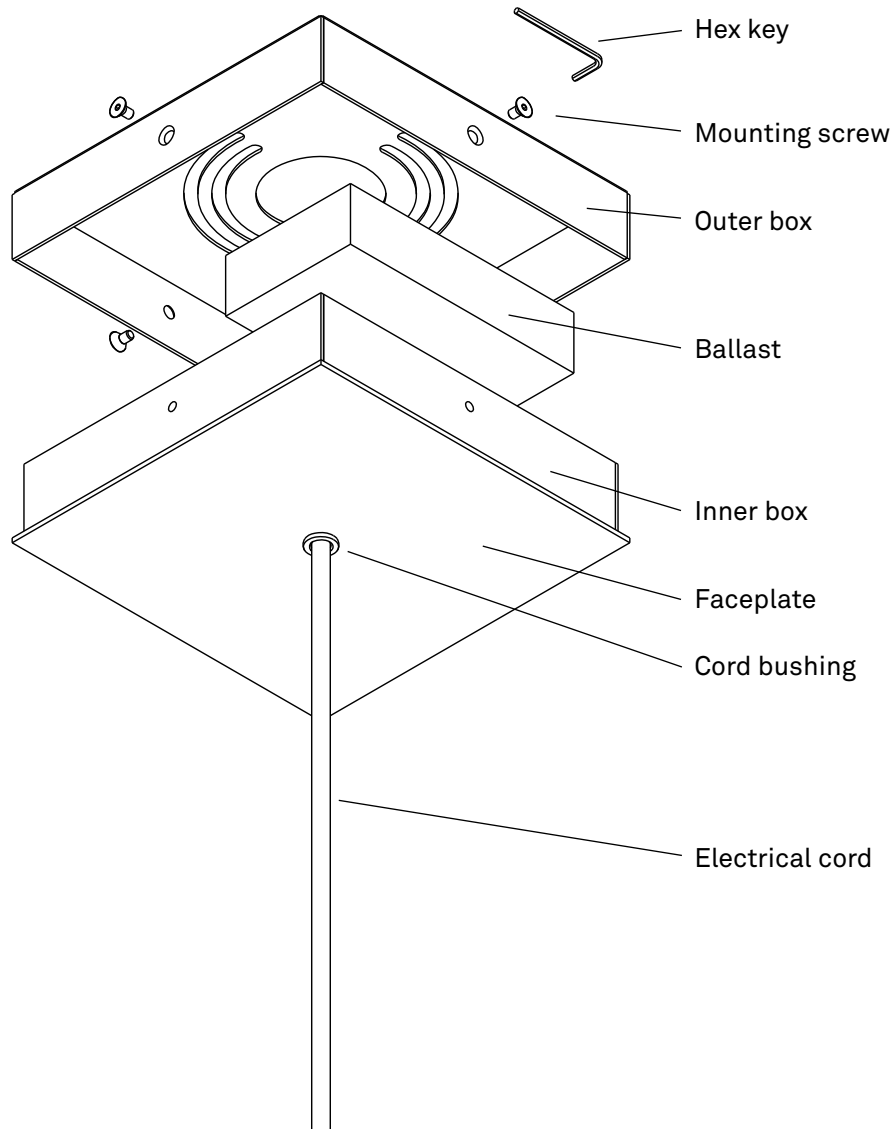


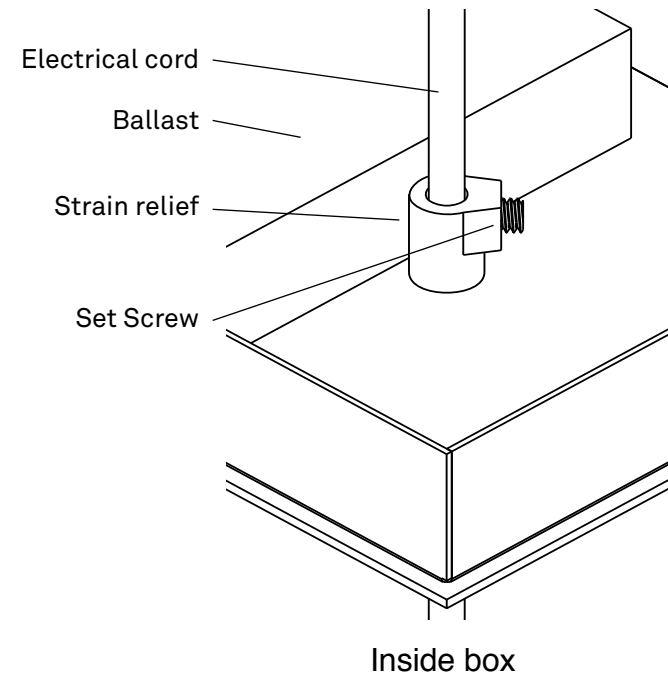
ASSEMBLY INSTRUCTIONS

SQUARE CFL PENDANT



DANGER - RISK OF SHOCK - DISCONNECT POWER BEFORE INSTALLATION

1. Mount the outer box to the junction box.
2. Determine drop length. Measure, trim and strip electrical cord to the appropriate length.
3. Feed cord through cord bushing and strain relief (with set screw backed out for clearance) on the inner box assembly.
4. Tighten set screw in the strain relief to secure electrical cord when desired drop length has been achieved.
5. Make electrical connections per wiring diagram.
6. Affix canopy to the junction box/outer box assembly with the four mounting screws provided.



 LAMP CONTAINS MERCURY

Manage in accordance with disposal laws

www.lamprecycle.org or 1-866-666-6850

RESOLUTE

RESOLUTE is a registered trademark of MANIFESTO Corporation
4660 Ohio Avenue South, Unit C, Seattle WA 98134
www.resoluteonline.com info@resoluteusa.com



