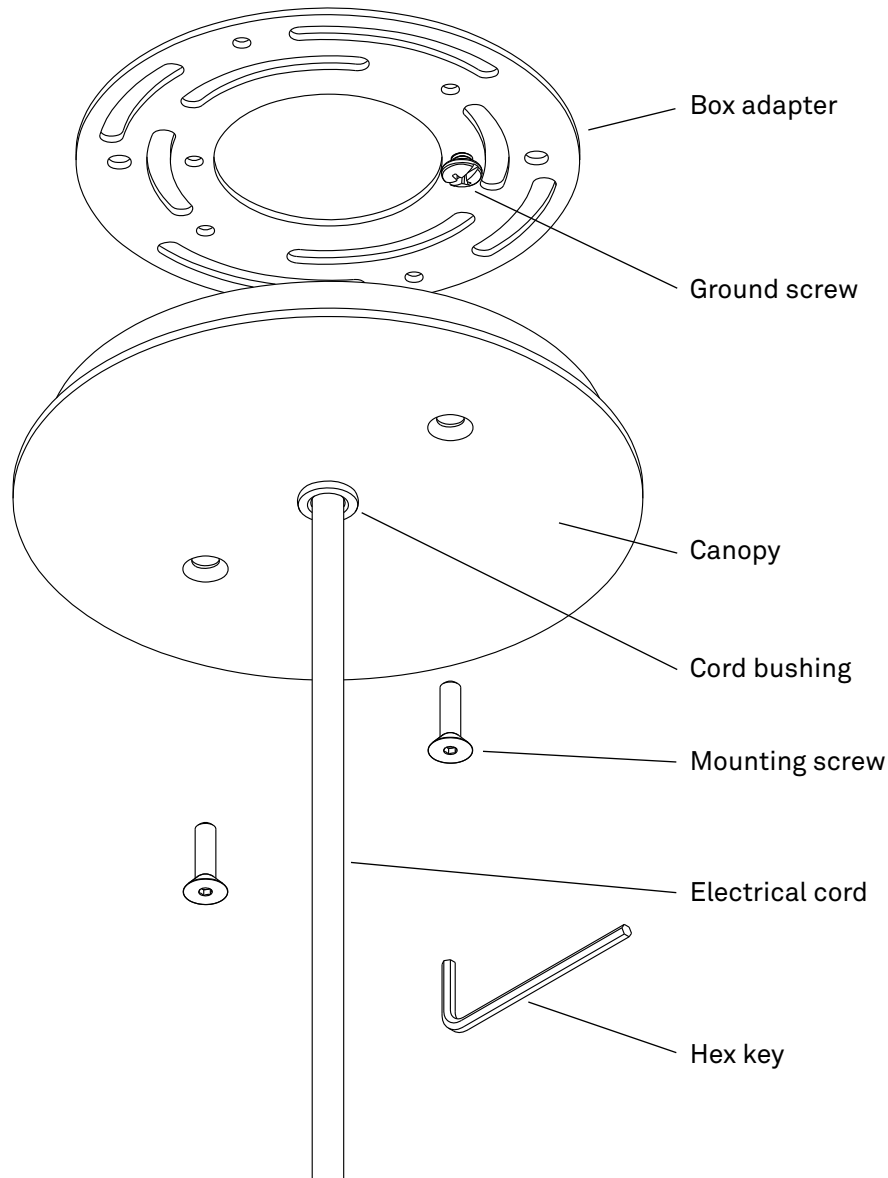


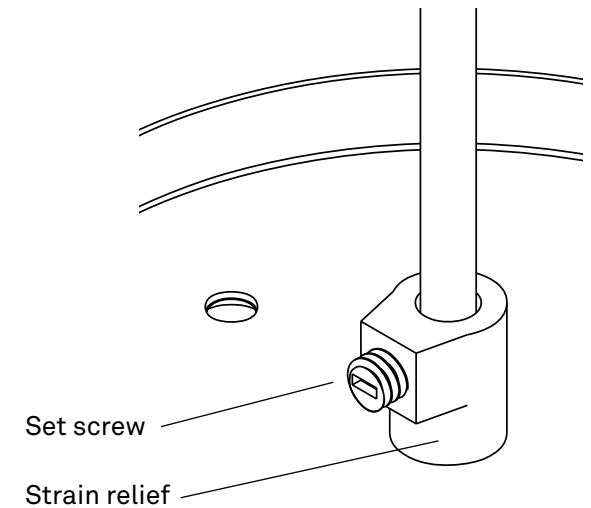
ASSEMBLY INSTRUCTIONS

OTTO G9 ROUND PENDANT



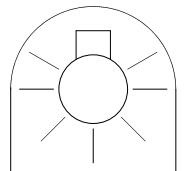
DANGER - RISK OF SHOCK - DISCONNECT POWER BEFORE INSTALLATION

1. Determine drop length. Measure, trim and strip electrical cord to the appropriate length.
2. Attach box adapter to the junction box.
3. Feed cord through cord bushing and strain relief (with set screw backed out for clearance) in canopy assembly.
4. Make electrical connections per wiring diagram.
5. Tighten set screw in the strain relief to secure electrical cord when desired drop length has been achieved.
6. Affix canopy to the junction box/box adapter assembly with the two mounting screws provided.



Do not use bulb if cracked, scratched or damaged in any way. To avoid damaging the glass, do not touch bulb with bare hands. Hold bulb with clean cloth, tissue, etc. when installing. If touched, thoroughly clean off fingerprints before lighting. To avoid damage to bulb, do not twist. Pull old bulb straight out and push new bulb straight in.

This fixture is designed to employ low-pressure G9 base lamps intended for use in unshielded fixtures. Use of any other bulb type may result in injury in the event of a shattered bulb. Use only bulbs that display this symbol on the packaging:



RESOLUTE

RESOLUTE is a registered trademark of MANIFESTO Corporation
4660 Ohio Avenue South, Unit C, Seattle WA 98134
www.resoluteonline.com info@resoluteusa.com



