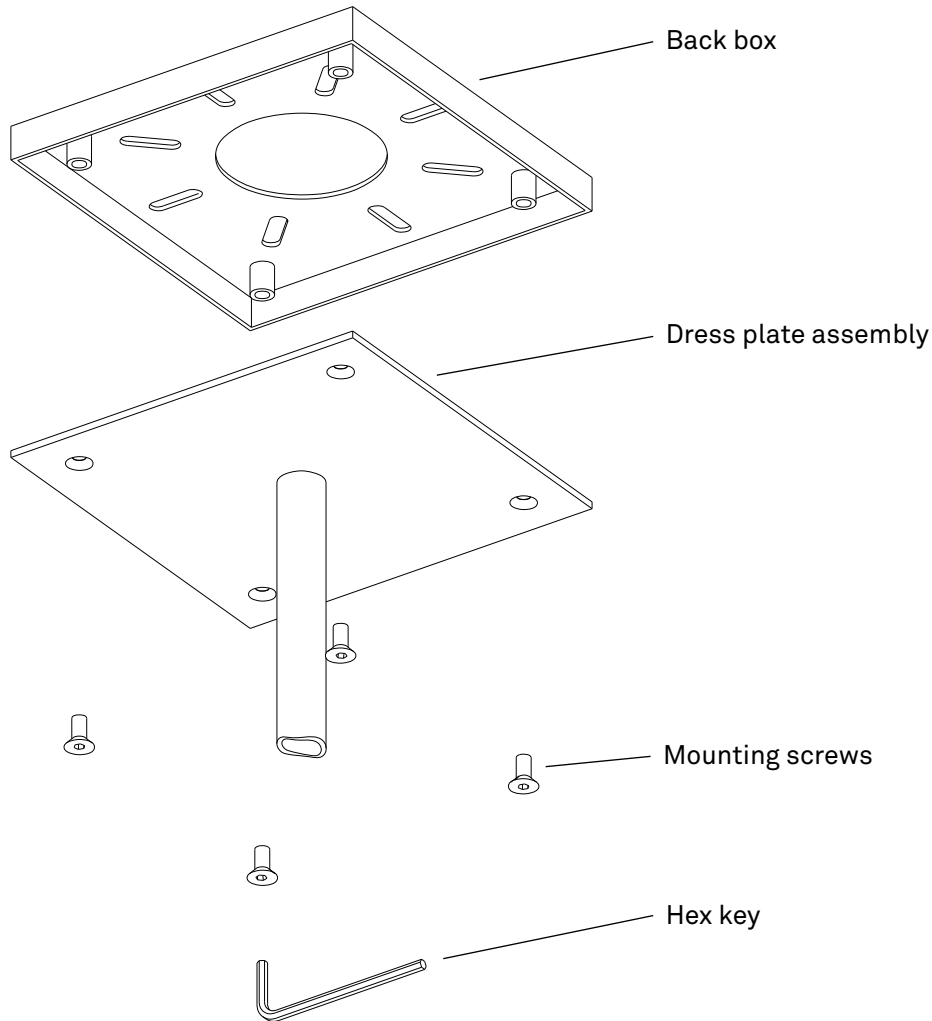


ASSEMBLY INSTRUCTIONS

OTTO G9 FACTORY SET DROP

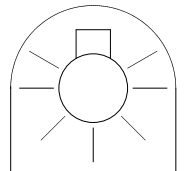
DANGER - RISK OF SHOCK - DISCONNECT POWER BEFORE INSTALLATION

1. Mount the back box to the junction box.
2. Make electrical connections per wiring diagram.
3. Affix dress plate assembly to the back box/junction box assembly with the provided mounting screws.



Do not use bulb if cracked, scratched or damaged in any way. To avoid damaging the glass, do not touch bulb with bare hands. Hold bulb with clean cloth, tissue, etc. when installing. If touched, thoroughly clean off fingerprints before lighting. To avoid damage to bulb, do not twist. Pull old bulb straight out and push new bulb straight in.

This fixture is designed to employ low-pressure G9 base lamps intended for use in unshielded fixtures. Use of any other bulb type may result in injury in the event of a shattered bulb. Use only bulbs that display this symbol on the packaging:



RESOLUTE

RESOLUTE is a registered trademark of MANIFESTO Corporation
4660 Ohio Avenue South, Unit C, Seattle WA 98134
www.resoluteonline.com info@resoluteusa.com



