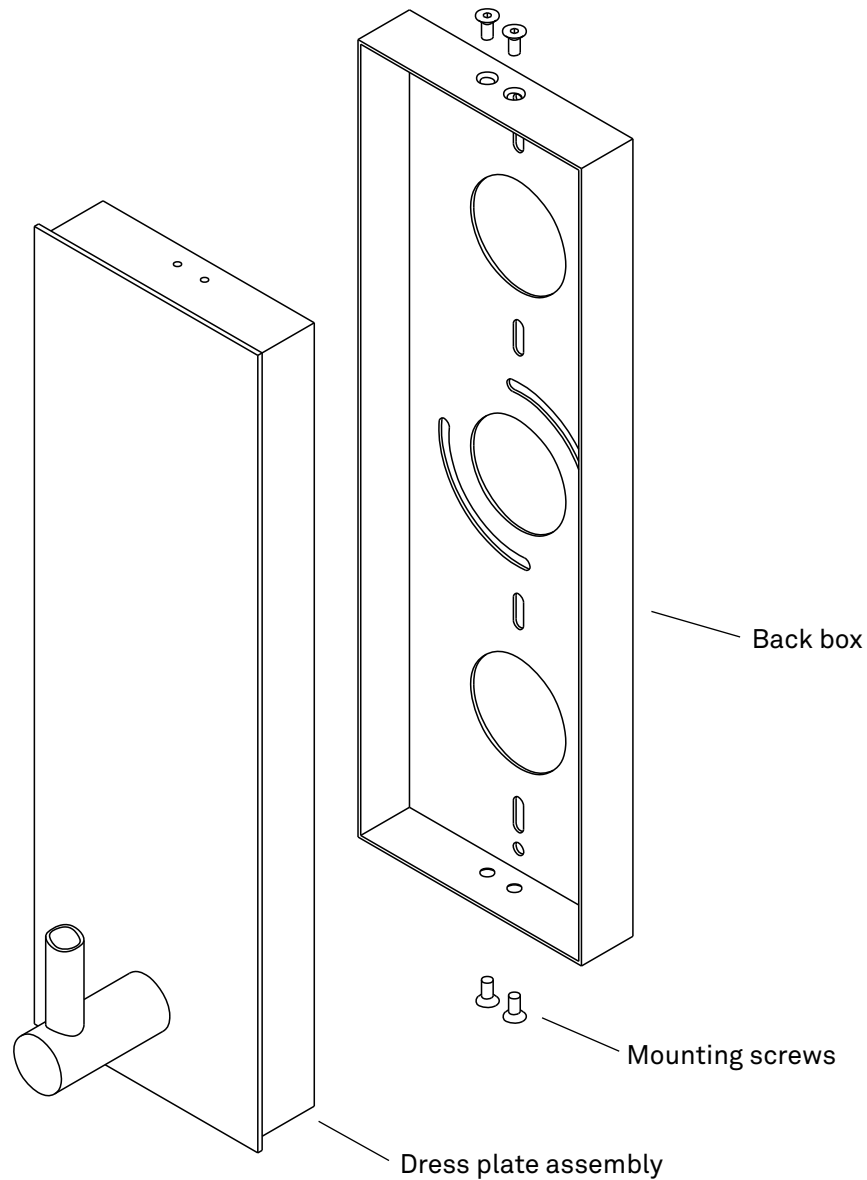



# ASSEMBLY INSTRUCTIONS

## NESTING RECTANGULAR WALL

**DANGER - RISK OF SHOCK - DISCONNECT POWER BEFORE INSTALLATION**

1. Attach back box to the junction box.
2. Make electrical connections per wiring diagram.
3. Affix dress plate assembly to the back box/junction box assembly with the provided mounting screws.



 LAMP CONTAINS MERCURY
Manage in accordance with disposal laws
<a href="http://www.lamprecycle.org">www.lamprecycle.org</a> or 1-866-666-6850

# RESOLUTE

RESOLUTE is a registered trademark of MANIFESTO Corporation  
4660 Ohio Avenue South, Unit C, Seattle WA 98134  
[www.resoluteonline.com](http://www.resoluteonline.com) [info@resoluteusa.com](mailto:info@resoluteusa.com)



