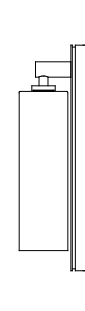
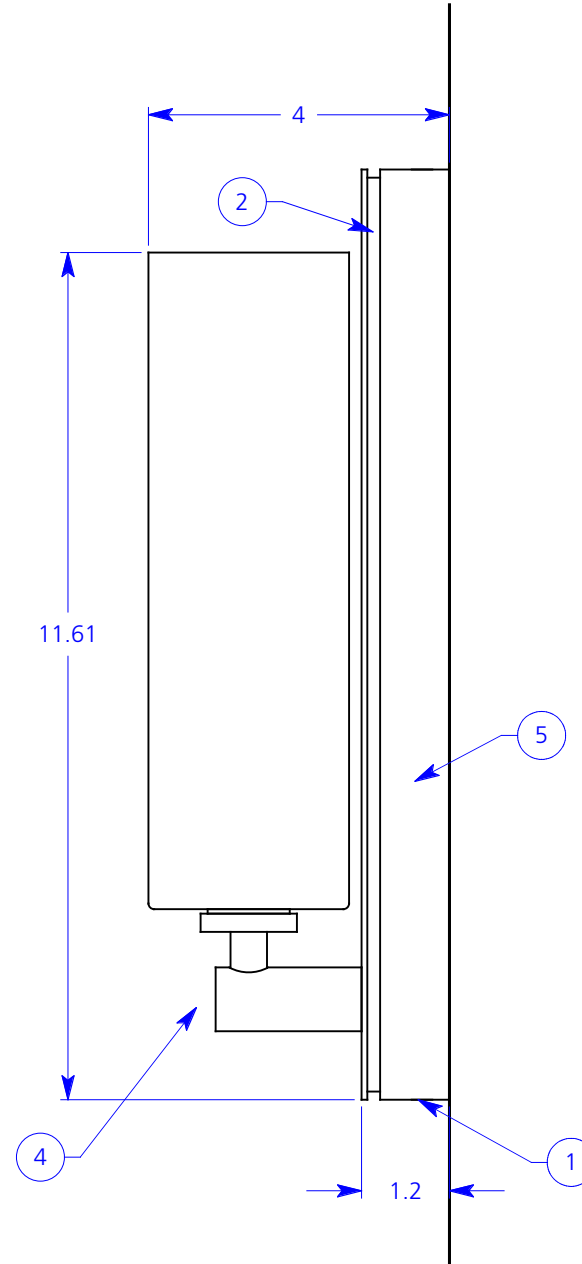
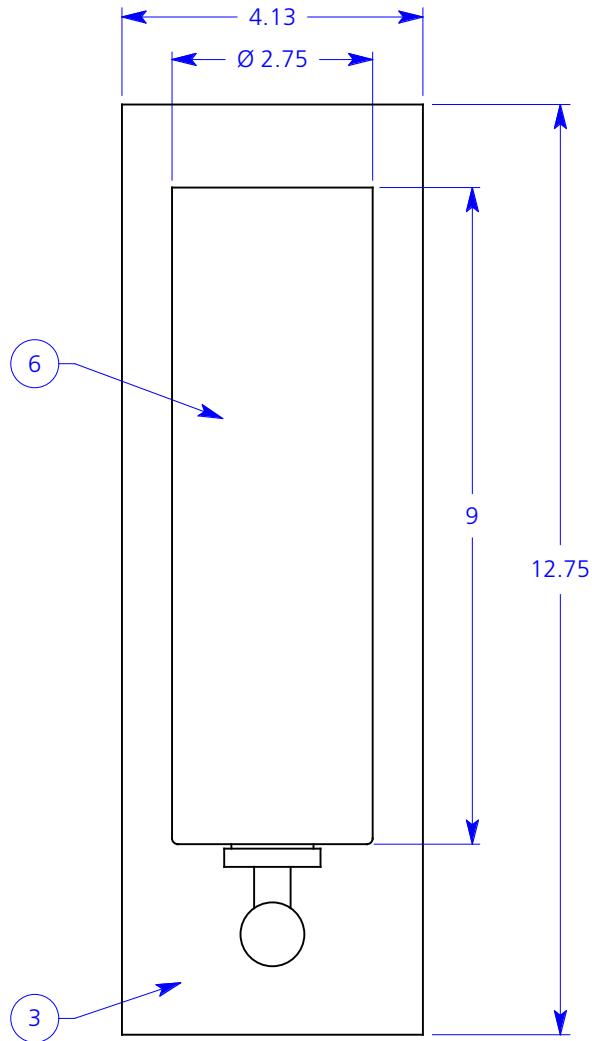


ALL DIMENSIONS IN INCHES



**NOTES:**

1. Powder coated steel back box
2. Black powder coated steel inner box
3. Grained and anodized aluminum faceplate
4. Grained and anodized aluminum hardware
5. Fulham electronic ballast RH3-UNV-226-C (inside back box)
6. Opal white hand blown glass shade

Type:	Quantity:
-------	-----------

Approval signature:

Name:

Firm:

Date:

**Otto ADA Wall**  
 Universal voltage CFL  
 13 watt "in-line twin" 2GX7  
 base lamp (NIC)

- Finish options:**
- 8021-O**  
 satin anodized  
 dull silver powder coat  
 silver mounting screws
  - 8021B-O**  
 bronze anodized  
 black powder coat  
 black mounting screws

**RESOLUTE**  
 4660 Ohio Ave. S, Unit C  
 Seattle, WA 98134  
 T 206.343.9323  
 F 888.346.8079  
 info@resoluteusa.com

