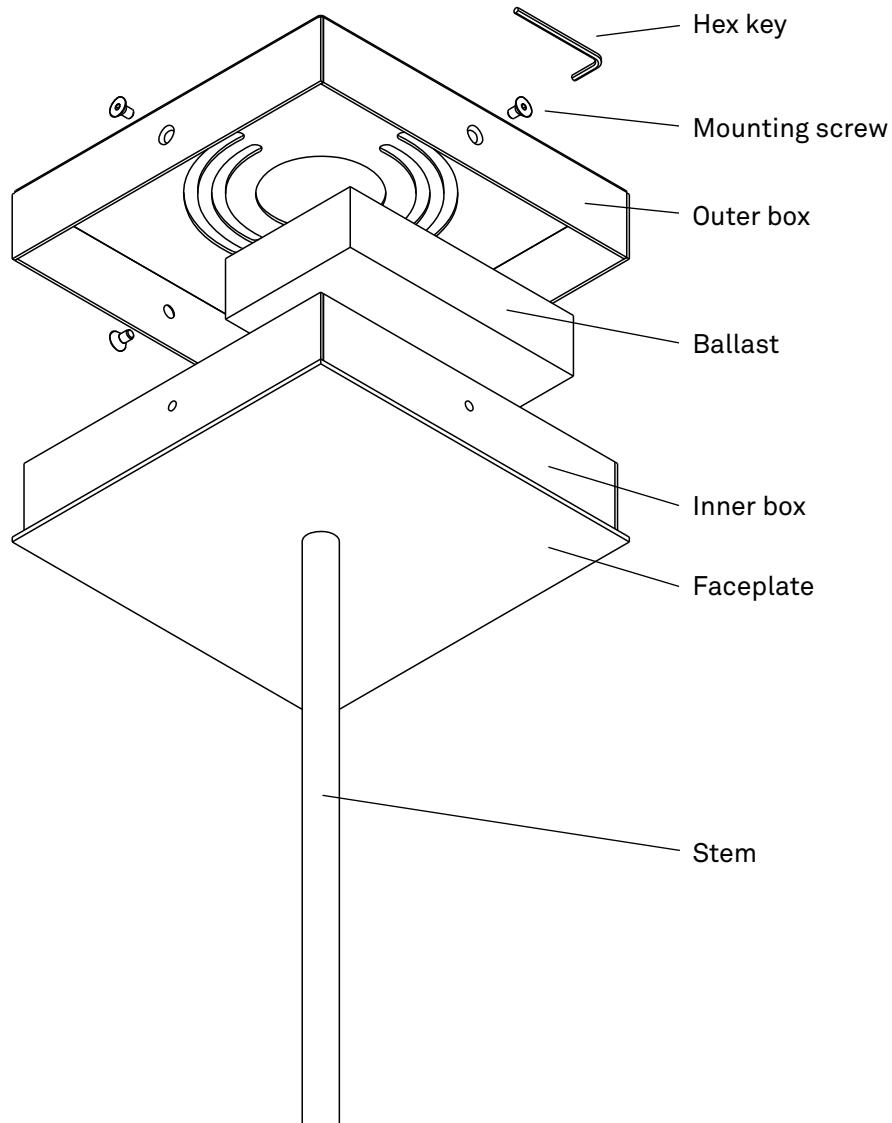



ASSEMBLY INSTRUCTIONS

SQUARE CFL FACTORY SET DROP

DANGER - RISK OF SHOCK - DISCONNECT POWER BEFORE INSTALLATION

1. Mount the outer box to the junction box.
2. Make electrical connections per wiring diagram.
3. Affix inner box assembly to the junction box/outer box assembly with the four mounting screws provided.



 LAMP CONTAINS MERCURY
Manage in accordance with disposal laws
www.lamprecycle.org or 1-866-666-6850

RESOLUTE

RESOLUTE is a registered trademark of MANIFESTO Corporation
4660 Ohio Avenue South, Unit C, Seattle WA 98134
www.resoluteonline.com info@resoluteusa.com



