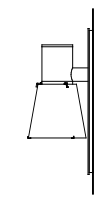
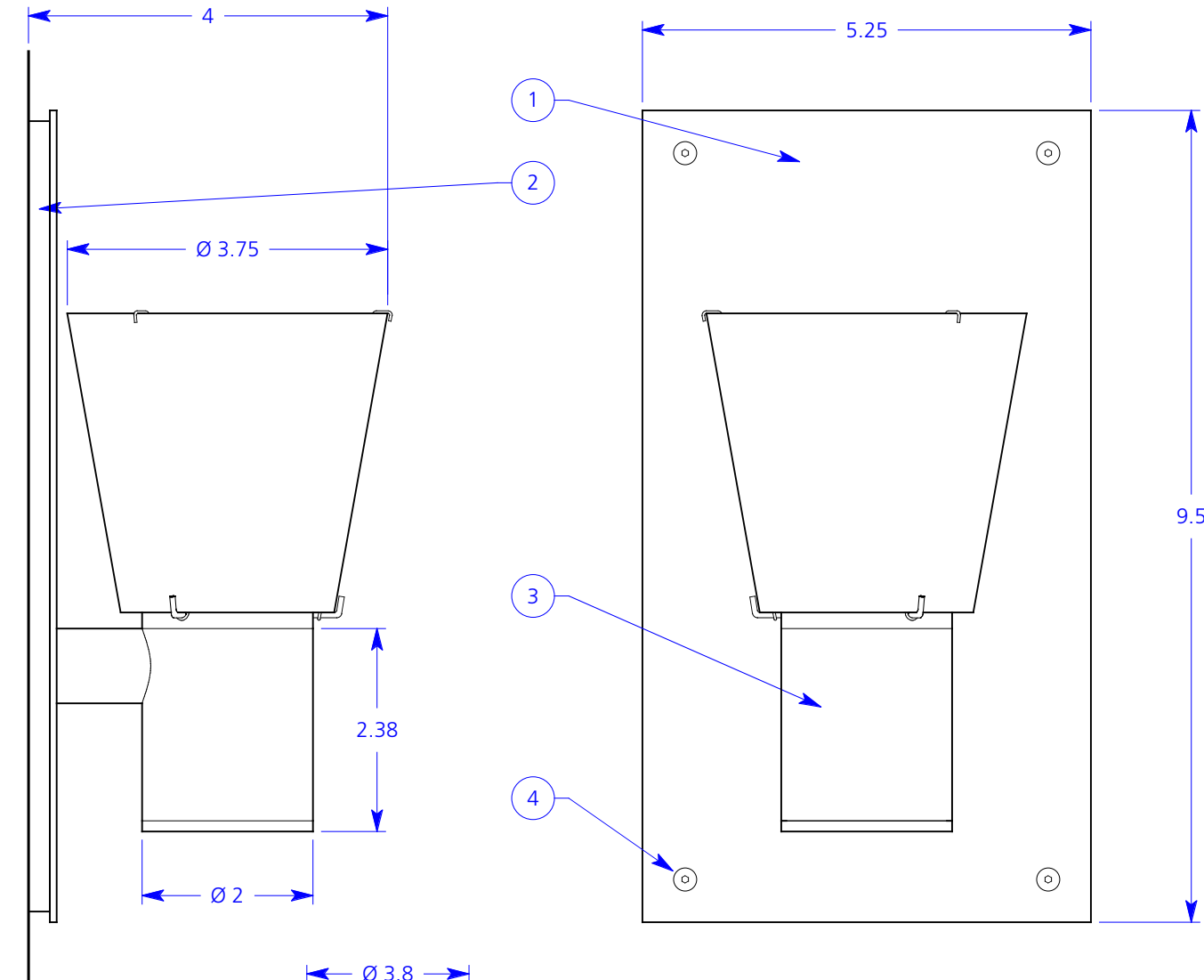
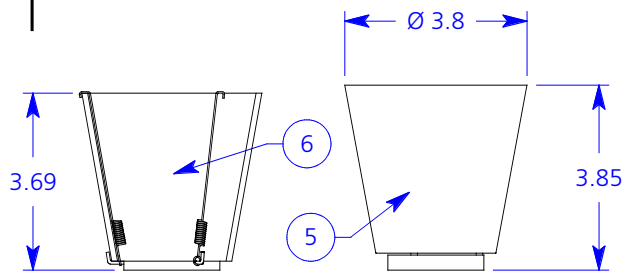


ALL DIMENSIONS IN INCHES



Fixture may be mounted either up or down facing



NOTES:

1. Faceplate
2. Powder coated back box
3. Satin clear anodized or powder coated aluminum hardware
4. Mounting screws
5. Aluminum shade
6. Hand blown glass shade

Type:	Quantity:
-------	-----------

Approval signature:

Name:

Firm:

Date:

Utility ADA Wall 5421

14W UltraLED (E26 medium base) or 75W incandescent max. (NIC)

Glass shade options:

- Opal white
- Crystal clear

Aluminum shade options:

- Silver inner reflector
- White inner reflector
- Yellow inner reflector
- Orange inner reflector

Finish options:

- Silver - Dull silver powder coated back box, satin clear anodized faceplate and hardware, stainless steel mounting screws
- Bronze - "Bronze" powder coated back box, faceplate and hardware, black mounting screws

2.19.2015

RESOLUTE

4617 Colorado Ave. S, Unit A
Seattle, WA 98134
T 206.343.9323
F 888.346.8079
info@resoluteusa.com

