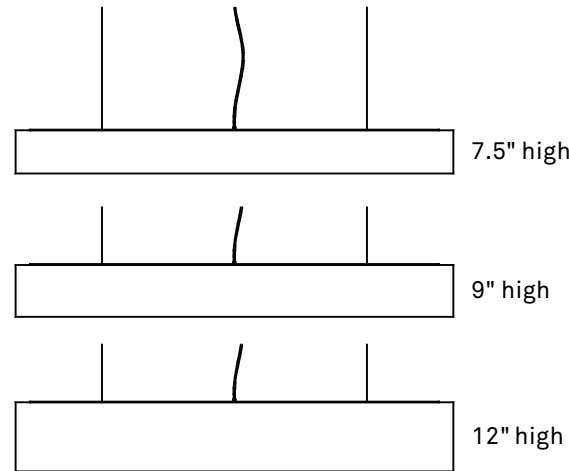
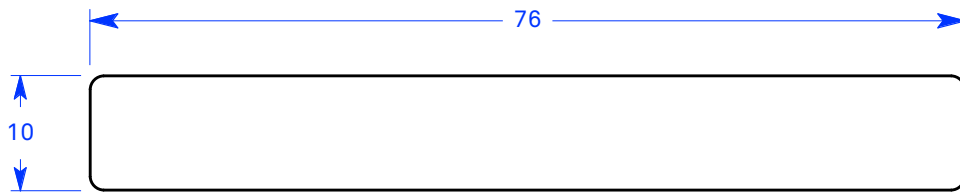
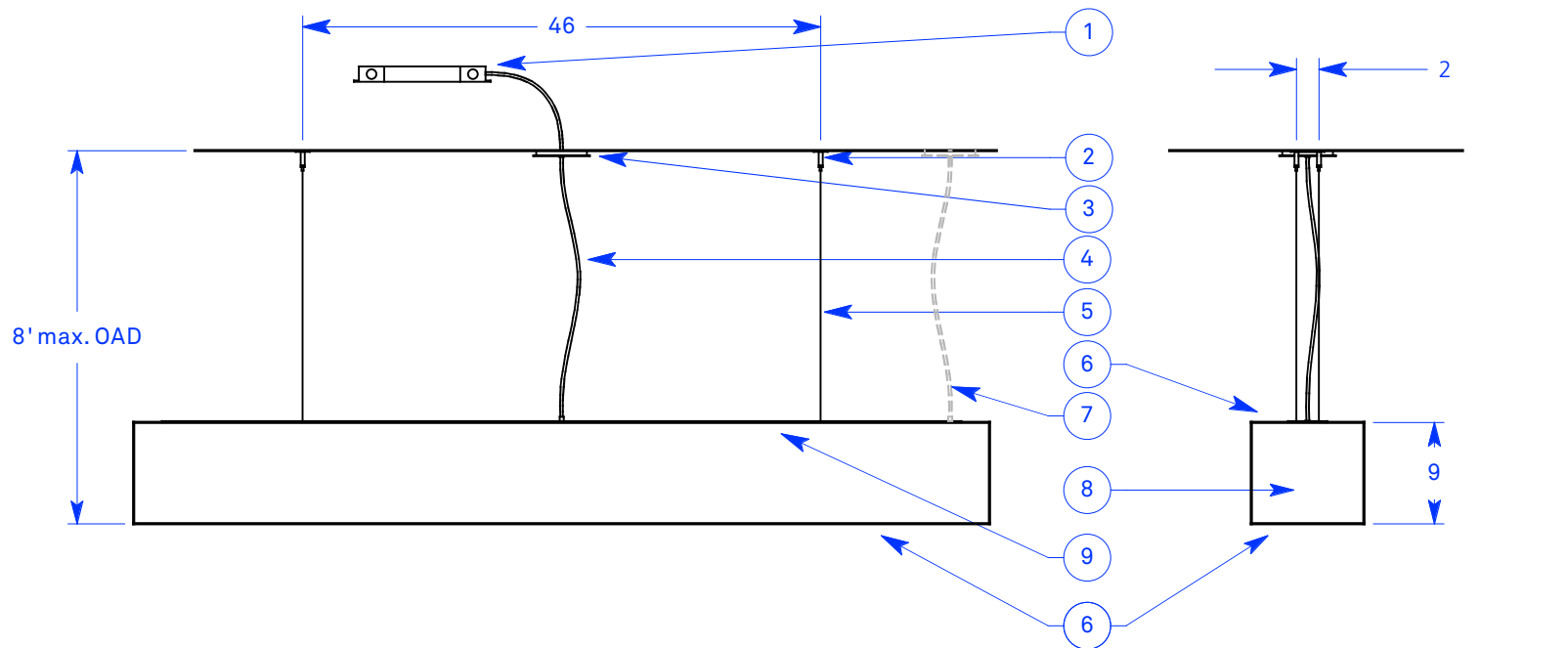


ALL DIMENSIONS IN INCHES



NOTES:

1. Universal voltage dimming driver, to be mounted remotely
2. Powder coated cable grip bracket with nickel plated clutch cable grips, mounts with 3" toggle bolts (included)
3. Ø 4.5" Powder coated steel canopy with Ø 5" faceplate
4. Clear jacket electrical cord (field cut to length)
5. Stainless steel aircraft cable (field cut to length)
6. Opal white top and bottom diffusion with powder coated center backbone
7. Optional end cord exit (by request)
8. Carnegie Xorel fabric backed with opal white high-impact copolymer
9. 2700K 95CRI linear LED, 6450 source lumens

Type: Quantity:

Approval signature:

Name:

Firm:

Date:

Lintel 76-9 (7.5, 12)

65W Universal voltage LED
 0-10V Magnitude Solodrive
 1% dimming driver with
 integral junction box:
CVD96L24DC
 - OR -
 Lutron EcoSystem Hi-lume
 Premier .1% dimming driver
 with Fade-to-Black and
 integral junction box:
L3D0-96W24V-U

LED driver options:

- 0-10V Magnitude
- EcoSystem Lutron

Sizes:

- L767 - 76" L x 7.5" H x 10" W
- L769 - 76" L x 9" H x 10" W
- L7612 - 76" L x 12" H x 10" W

Finish options:

- Silver
- Bronze

Xorel fabric selection:

8.16.18

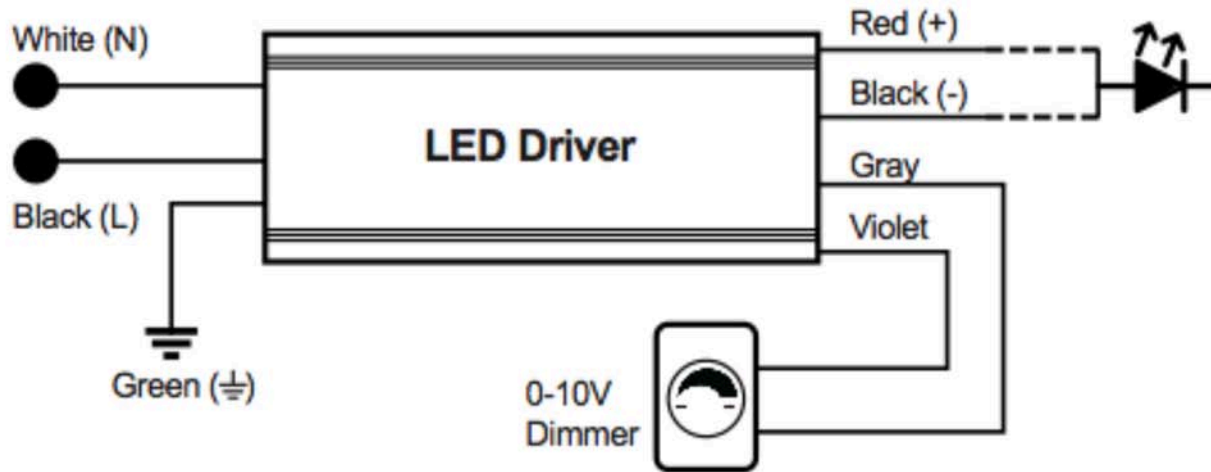
RESOLUTE

4617 Colorado Ave. S, Unit A
 Seattle, WA 98134
 T 206.343.9323
 F 888.346.8079
 info@resoluteusa.com



0-10V Magnitude Solodrive 1% dimming driver with integral junction box: CVD96L24DC

Case size:
12.25" x 2.38" x 1.38"



Type: Quantity:

Approval signature:

Name:

Firm:

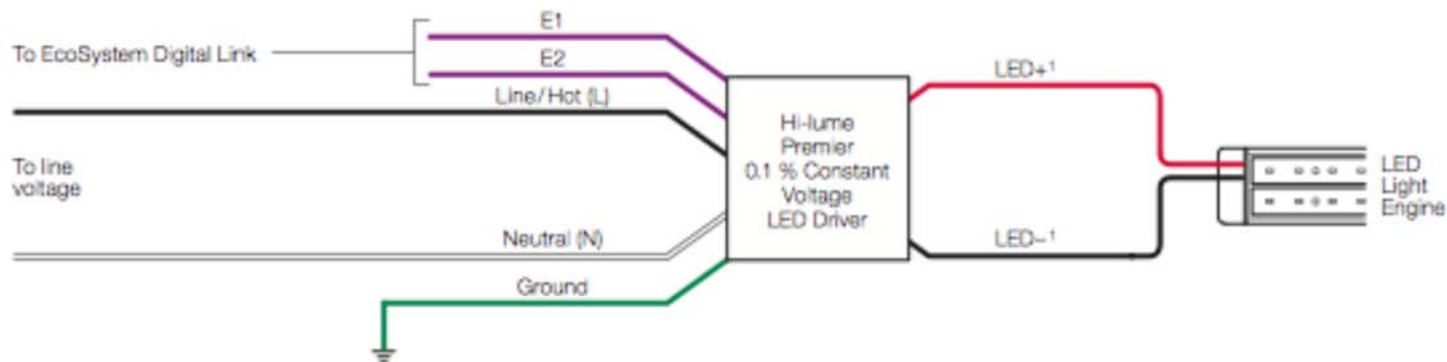
Date:

Remote LED Driver Wiring Diagrams

Drivers must be installed in accordance with Article 450 of the National Electric Code. Please note that these drivers are large; appropriate space and access to the driver must be made prior to installation.

Lutron EcoSystem Hi-lume Premier .1% dimming driver with Fade-to-Black and integral junction box: L3D0-96W24V-U

Case size:
10.5" x 5.5" x 2"



8.16.18

RESOLUTE

4617 Colorado Ave. S, Unit A
Seattle, WA 98134
T 206.343.9323
F 888.346.8079
info@resoluteusa.com