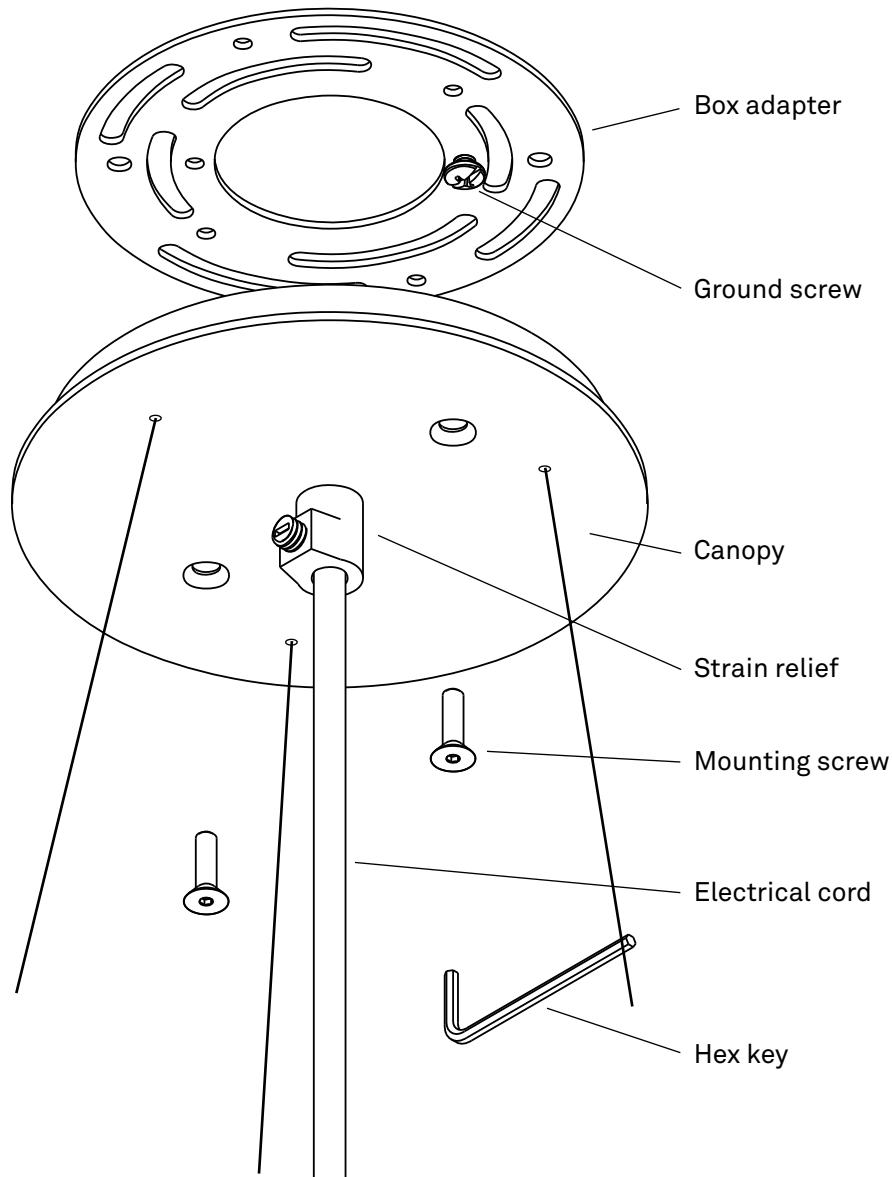


ASSEMBLY INSTRUCTIONS

STANDARD PENDANT 3 CABLE

DANGER - RISK OF SHOCK - DISCONNECT POWER BEFORE INSTALLATION

1. Determine drop length. Measure, trim and strip electrical cord to the appropriate length.
2. Attach box adapter to the junction box.
3. Feed cord through strain relief (with set screw backed out for clearance) in canopy assembly.
4. Make electrical connections per wiring diagram.
5. Tighten set screw in the strain relief to secure electrical cord when desired drop length has been achieved.
6. Affix canopy to the junction box/box adapter assembly with the two mounting screws provided.



RESOLUTE

RESOLUTE is a registered trademark of MANIFESTO Corporation
4660 Ohio Avenue South, Unit C, Seattle WA 98134
www.resoluteonline.com info@resoluteusa.com



ASSEMBLY INSTRUCTIONS

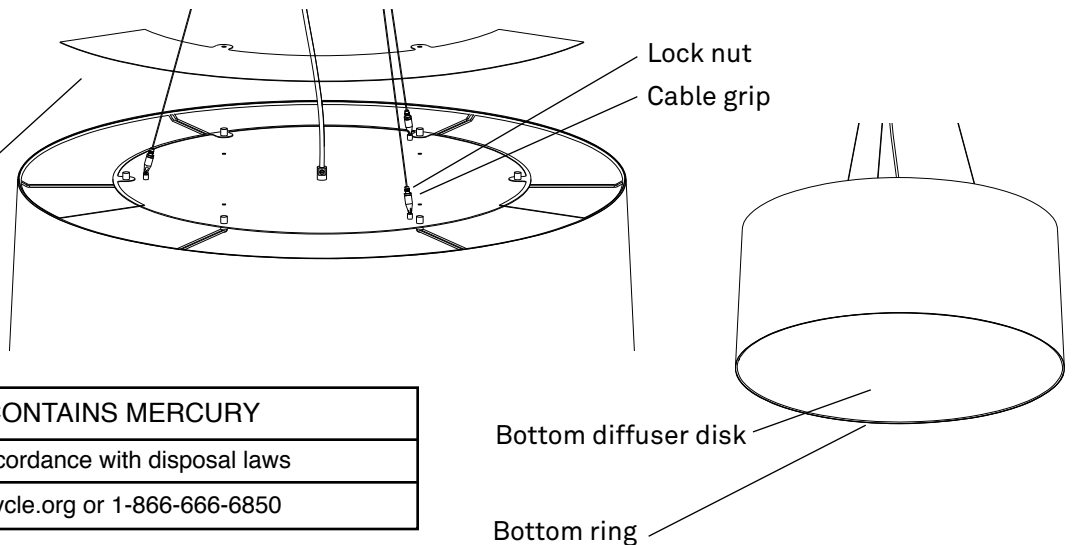
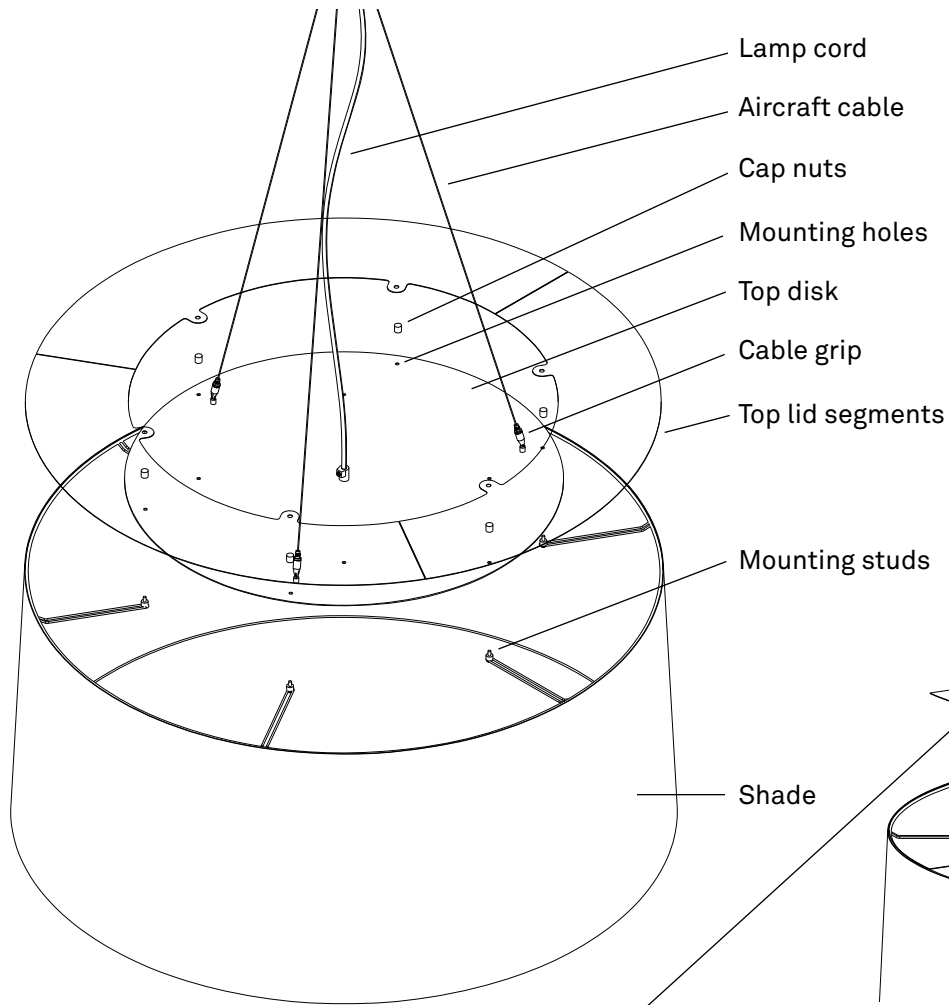
PROSPERITY 36 PENDANT

Shade assembly

1. Insert lamps into lamp sockets.
2. Lift shade up to the top disk and align mounting studs through the mounting holes. Hold shade by the edges so as not to unseat the bottom diffuser disk.
3. Finger tighten cap nuts onto mounting studs
4. Install top lid segments one at a time. White side down. While supporting the shade from the bottom edge, remove two adjacent cap nuts and place a top lid segment onto the mounting studs and on top of the top disk. Replace the cap nuts loosely and do the same for the other two segments.
5. Make final adjustments to align the top lid segments and re-tighten the cap nuts.

Cable grip instructions

1. Loosen the cable grip lock nut and push the cable end through. **Make certain the cables and cord do not cross each other between the canopy and top lid.**
2. Continue to push the cable through, raising the top lid to the desired height. To lower the disk, push in on the lock nut to release the cable grip. When height is set, tighten the lock nuts and trim the cable.



Note:

To replace lamp, remove one top lid segment and reach in from above to replace the lamp. Replace the lid segment and cap nuts and repeat on the adjacent side.

	LAMP CONTAINS MERCURY
Manage in accordance with disposal laws	
www.lamprecycle.org or 1-866-666-6850	

RESOLUTE

RESOLUTE is a registered trademark of MANIFESTO Corporation
 4660 Ohio Avenue South, Unit C, Seattle WA 98134
 www.resoluteonline.com info@resoluteusa.com



