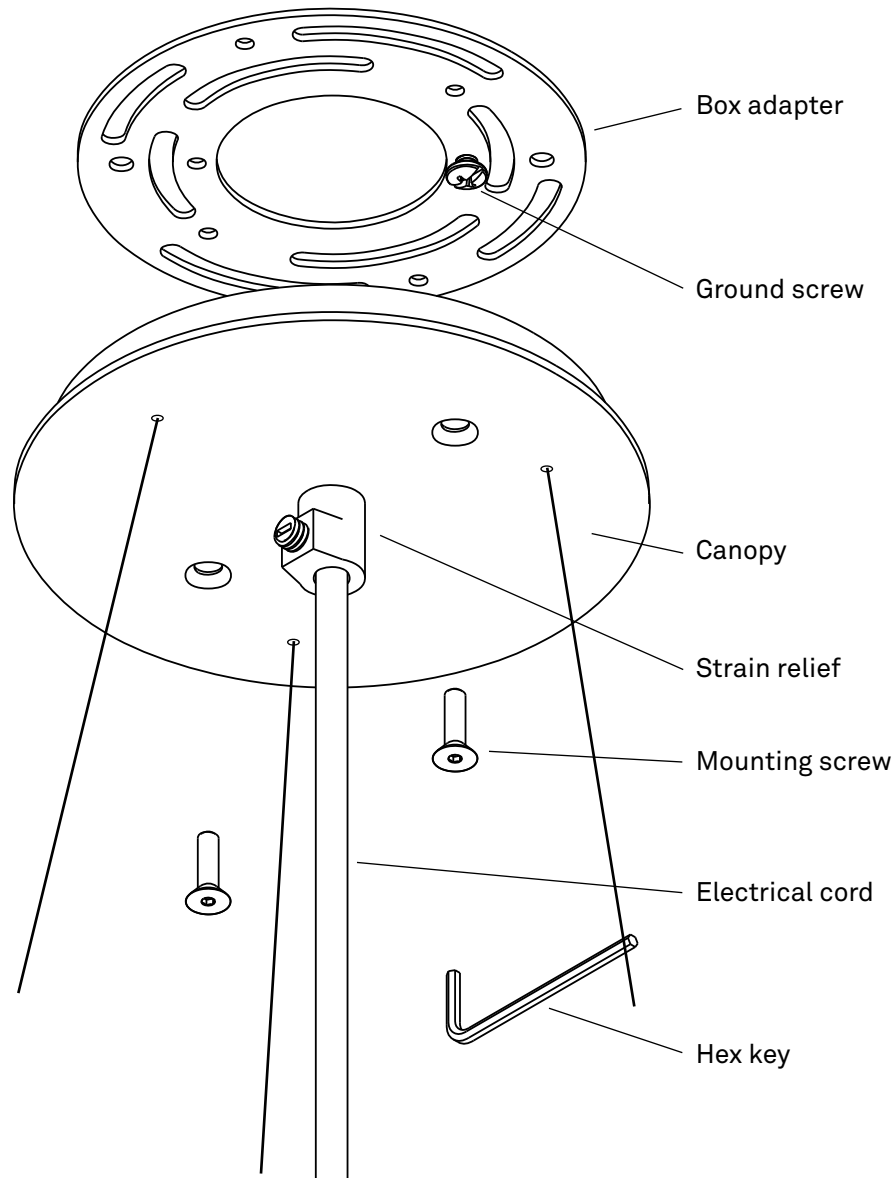


ASSEMBLY INSTRUCTIONS

STANDARD PENDANT 3 CABLE



Make certain power is off before you begin.

1. Determine drop length. Measure, trim and strip electrical cord to the appropriate length.
2. Attach box adapter to the junction box.
3. Feed cord through strain relief (with set screw backed out for clearance) in canopy assembly.
4. Make electrical connections per wiring diagram.
5. Tighten set screw in the strain relief to secure electrical cord when desired drop length has been achieved.
6. Affix canopy to the junction box/box adapter assembly with the two mounting screws provided.

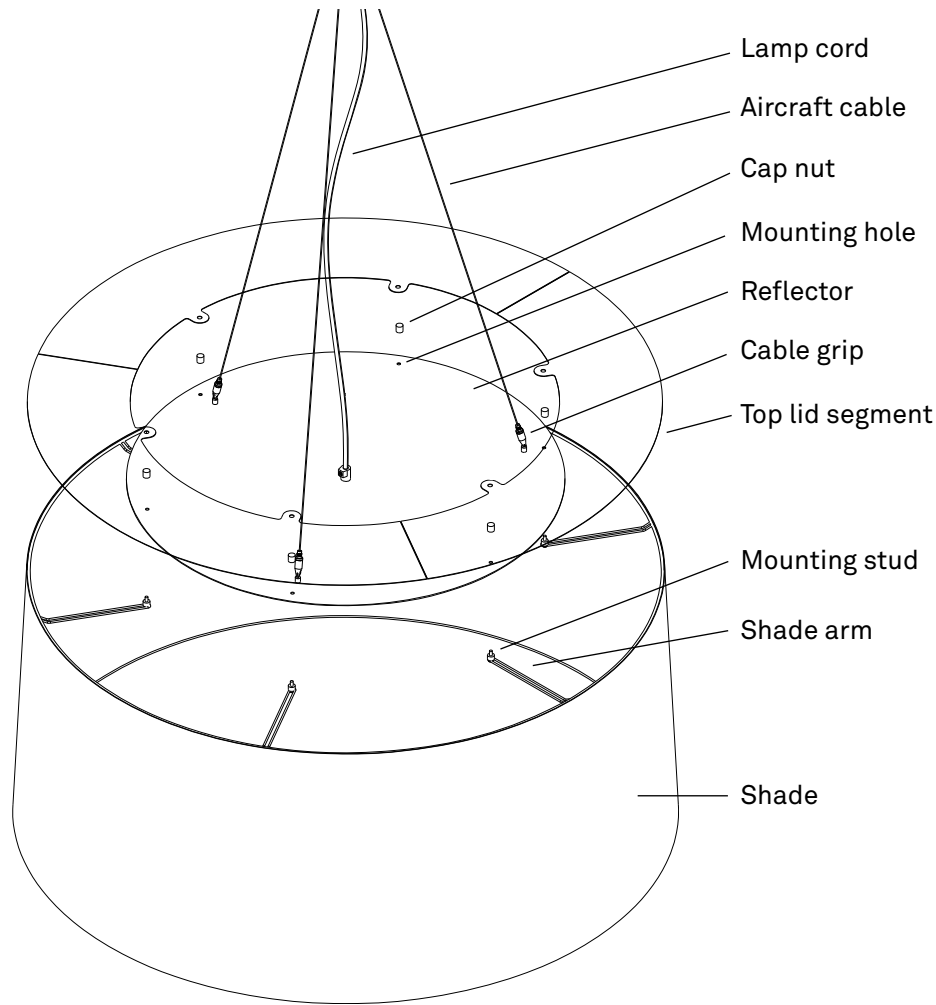
RESOLUTE

RESOLUTE is a registered trademark of MANIFESTO Corporation
4660 Ohio Avenue South, Unit C, Seattle WA 98134
www.resoluteonline.com info@resoluteusa.com



ASSEMBLY INSTRUCTIONS

PROSPERITY 36 PENDANT

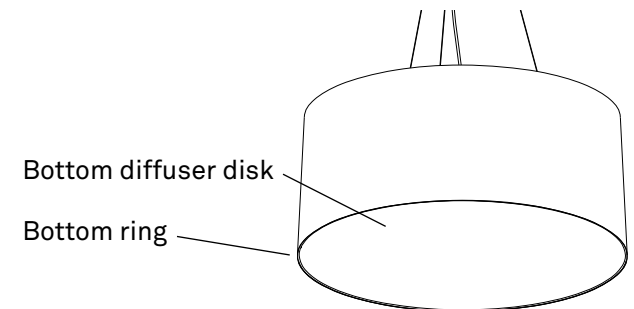
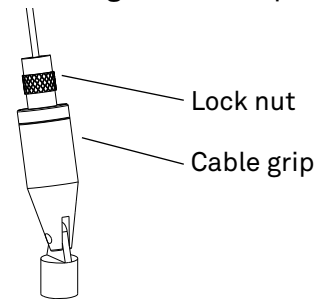


Cable grip instructions

1. Loosen the cable grip lock nut and push the cable end through. **Make certain the cables and cord do not cross each other between the canopy and top lid.**
2. Continue to push the cable through, raising the top lid to the desired height. To lower the disk, push in on the lock nut to release the cable grip. When height is set, tighten the lock nuts and trim the cable.

Shade assembly

1. Insert the lamps into the lamp sockets.
2. Lift the shade up to the top disk. Maneuver shade so that all six shade arms are resting on top of the reflector.
3. Slide one shade arm under the reflector, insert mounting stud into mounting hole, secure with cap nut. Repeat for the next three sequential shade arms.
4. When four shade arms are secured, slide the remaining two shade arms simultaneously into position and secure with cap nuts. Install top lid segments one at a time, textured side up. While supporting the shade from the bottom edge, remove two adjacent cap nuts and place a top lid segment onto the mounting studs and on top of the top disk. Replace the cap nuts loosely and do the same for the other two segments.
5. Make final adjustments to align the top lid segments and re-tighten the cap nuts.



Note:

To replace lamp, remove one top lid segment and reach in from above to replace the lamp. Replace the lid segment and cap nuts and repeat on the adjacent side.

(Hg)	LAMP CONTAINS MERCURY
Manage in accordance with disposal laws	
www.lamprecycle.org or 1-866-666-6850	

RESOLUTE

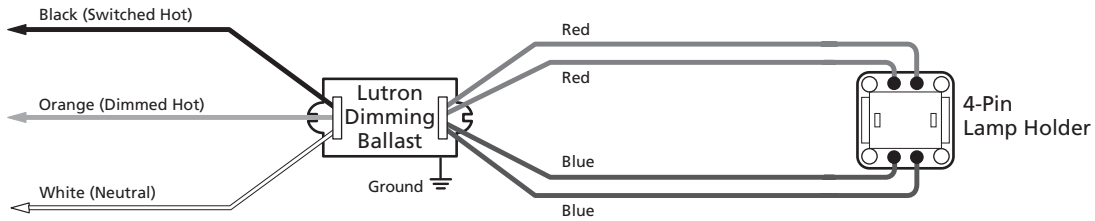
RESOLUTE is a registered trademark of MANIFESTO Corporation
 4660 Ohio Avenue South, Unit C, Seattle WA 98134
 www.resoluteonline.com info@resoluteusa.com



APPENDIX: WIRING DIAGRAMS

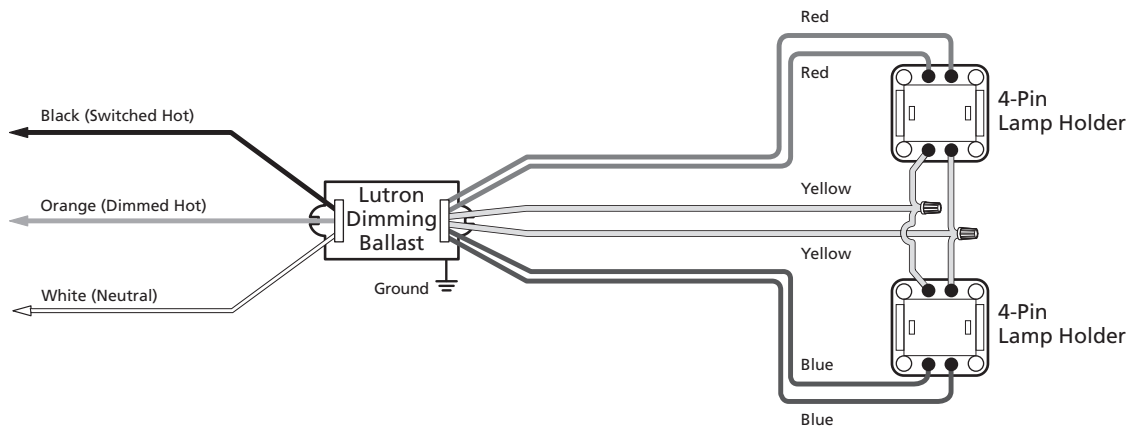
T4 1-Lamp 3-Wire Control Method

One Lamp



T4 2-Lamp 3-Wire Control Method

Two Lamps



Note: Ballast-to-lamp wire lead lengths must not exceed 3.00' (0.91m) for all wiring scenarios shown above.