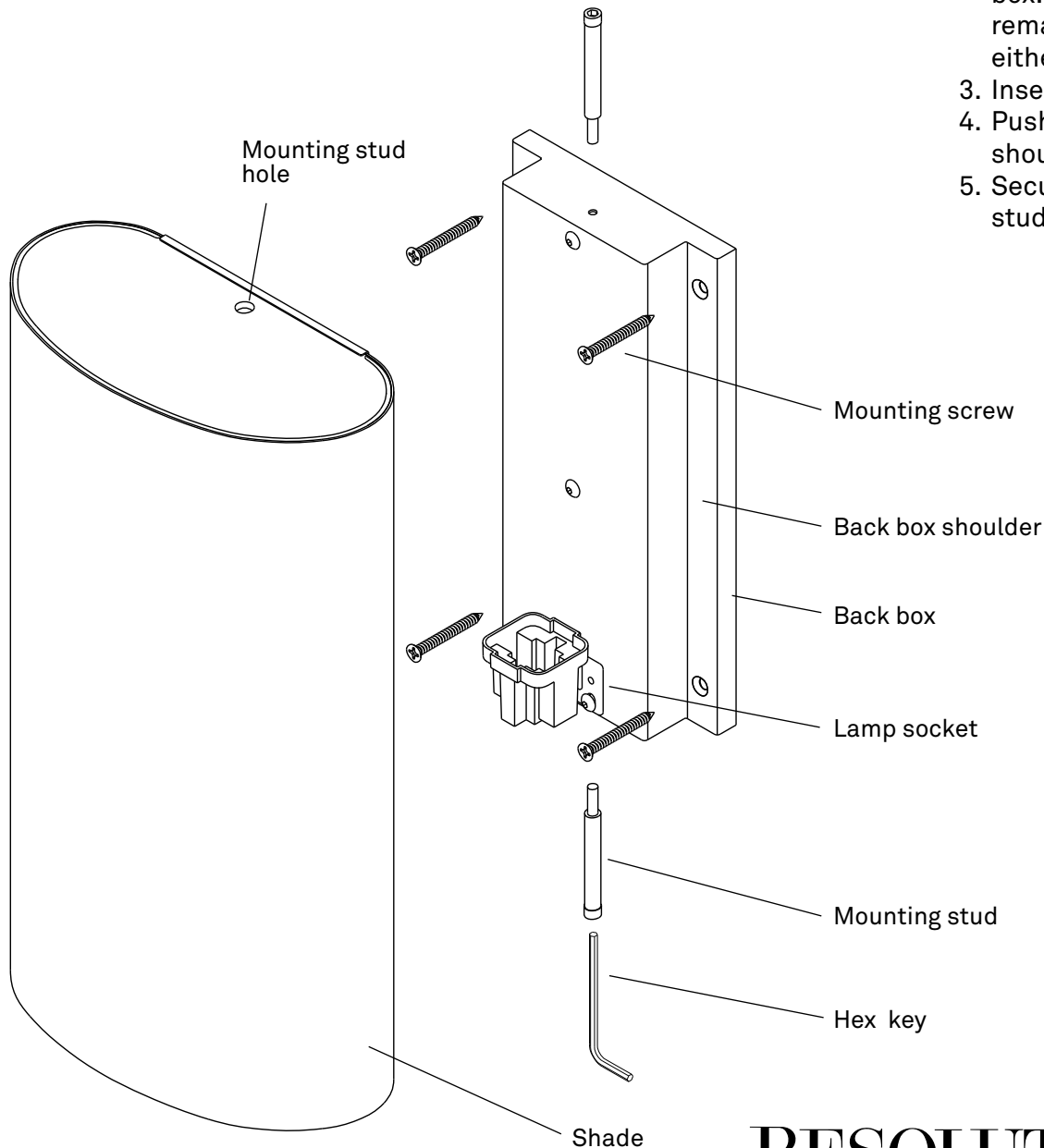



ASSEMBLY INSTRUCTIONS

D1/D2/D3

DANGER - RISK OF SHOCK - DISCONNECT POWER BEFORE INSTALLATION

1. Make electrical connections per wiring diagram.
2. Position the back box in the desired location over the junction box. Install one mounting screw, level fixture and install three remaining mounting screws. Lamp socket may be placed in either up or down facing configuration.
3. Insert the lamp into the lamp socket.
4. Push the shade onto the back box and seat onto the back box shoulder.
5. Secure shade to back box with mounting studs through mounting stud holes on top and bottom of shade.



 LAMP CONTAINS MERCURY
Manage in accordance with disposal laws
www.lamprecycle.org or 1-866-666-6850

RESOLUTE

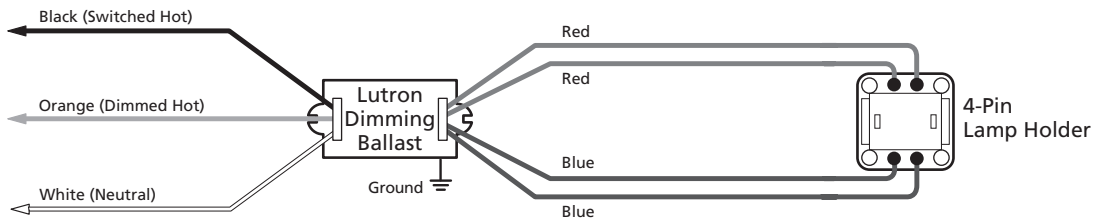
RESOLUTE is a registered trademark of MANIFESTO Corporation
4660 Ohio Avenue South, Unit C, Seattle WA 98134
www.resoluteonline.com info@resoluteusa.com



APPENDIX: WIRING DIAGRAMS

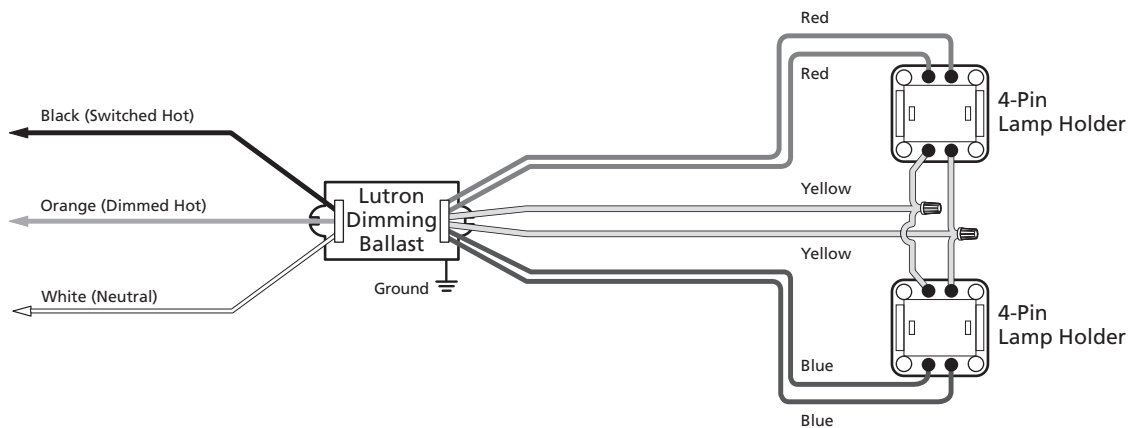
T4 1-Lamp 3-Wire Control Method

One Lamp



T4 2-Lamp 3-Wire Control Method

Two Lamps



Note: Ballast-to-lamp wire lead lengths must not exceed 3.00' (0.91m) for all wiring scenarios shown above.