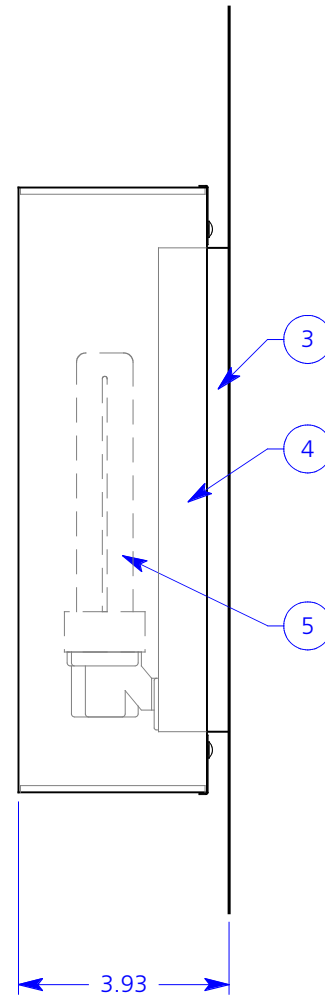
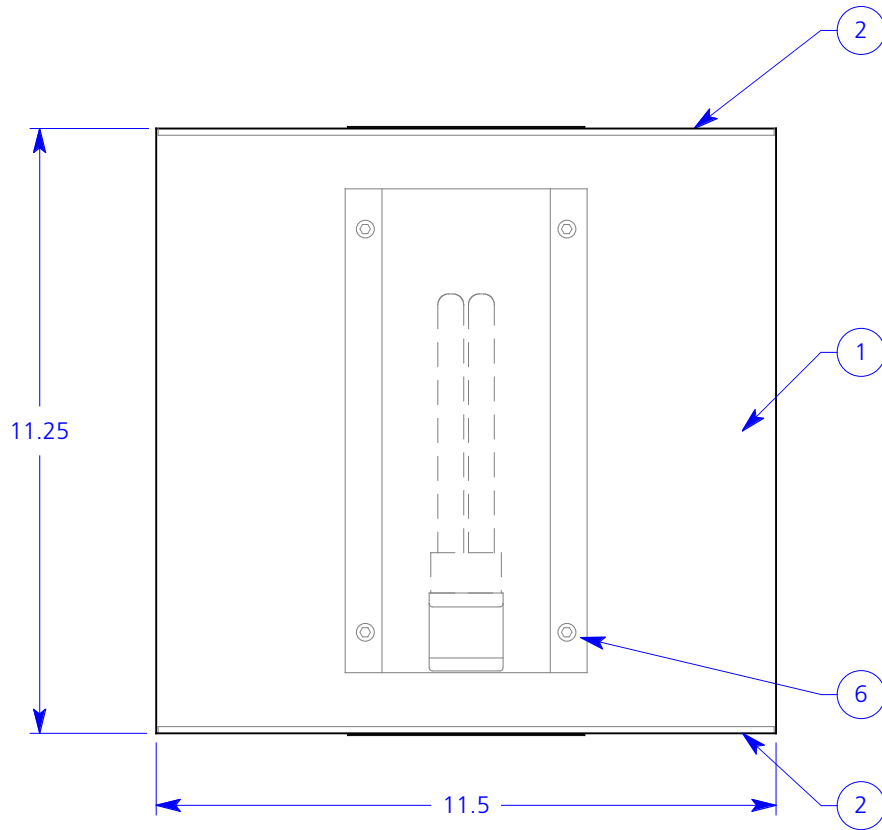
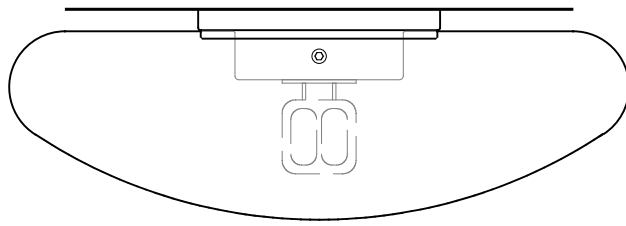


ALL DIMENSIONS IN INCHES



NOTES:

1. Carnegie Xorel fabric backed with opal white high-impact copolymer
2. Satin clear high-impact copolymer end caps both ends
3. 4.5"x 9" white steel back box
4. Electronic ballast (inside back box)
5. Compact fluorescent lamp "double" (NIC)
6. Fixture mounts directly to surface of wall with four flat head mounting screws (included)

Type:

Quantity:

Approval signature:

Name:

Firm:

Date:

**Prosperity ADA
Square Wall**

Universal Voltage CFL

Configurations:

D2 - Non-dimming

- 13 watt G24q-1 base
Fulham RHA-UNV-213-C
- 18 watt G24q-2 base
Fulham RHA-UNV-218-C
- 26 watt G24q-3 base
Fulham RHA-UNV-226-C

D2 E - 5% Dimming

- 18 watt G24q-2 base
Lutron EcoSystem
EC3DT418KU1
- 26 watt G24q-3 base
Lutron EcoSystem
EC3DT4MWKU1

Xorel fabric selection:

2.23.2015

RESOLUTE

4617 Colorado Ave. S, Unit A
Seattle, WA 98134
T 206.343.9323
F 888.346.8079
info@resoluteusa.com

