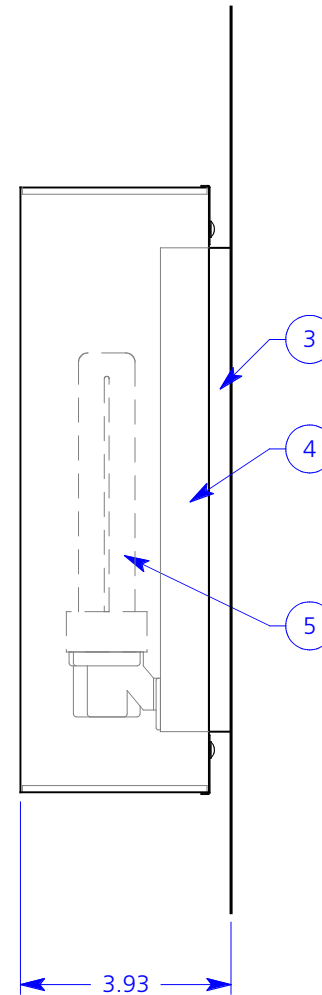
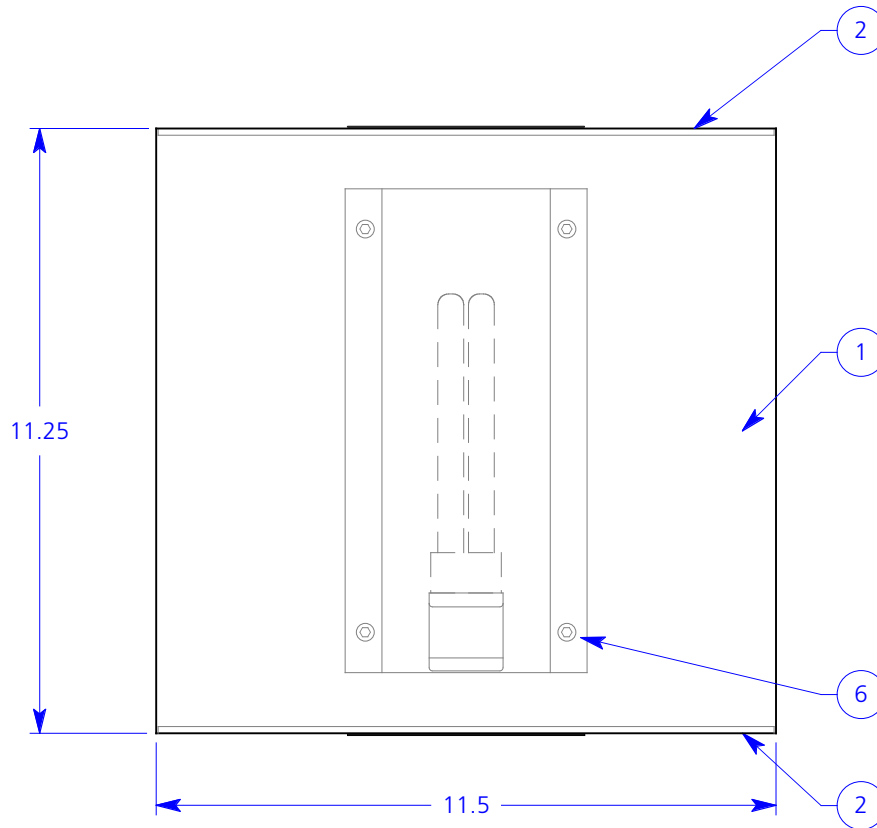
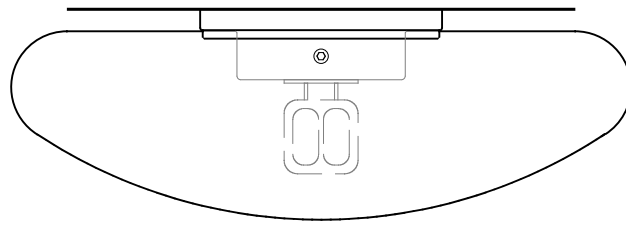


ALL DIMENSIONS IN INCHES

10.26.12

Type:

Quantity:



NOTES:

1. Carnegie Xorel fabric shade with high-impact acrylic inner diffuser
2. Satin acrylic end cap both ends
3. 4.5" x 9" white steel back box
4. Lutron EcoSystem electronic dimming ballast inside back box
5. Compact fluorescent lamp (NIC)
6. Fixture mounts directly to surface of wall with four flat head mounting screws (included)

Approval signature:

Name:

Firm:

Date:

Prosperity D2E ADA Square Wall
5% Dimming
Universal Voltage CFL

Configurations:

- 18 watt G24q-2 base
Lutron EcoSystem
EC3DT418KU1
- 26 watt G24q-3 base
Lutron EcoSystem
EC3DT4MWKU1

Stock fabric options:

- 6615-20, Flash Back
- 6603-18, Dash
- 6603-16, Dash
- 6603-9, Dash
- 6619-92, Quarry
- 6619-99, Quarry
- 6427-226, Meteor
- 6427-708, Meteor
- 6427-720, Meteor
- 6427-721, Meteor

Custom Xorel fabric:

RESOLUTE

4660 Ohio Ave. S, Unit C
Seattle, WA 98134
T 206.343.9323
F 888.346.8079
info@resoluteusa.com

