

ALL DIMENSIONS IN INCHES

10.26.12

Type:	Quantity:
-------	-----------

Approval signature:

Name:

Firm:

Date:

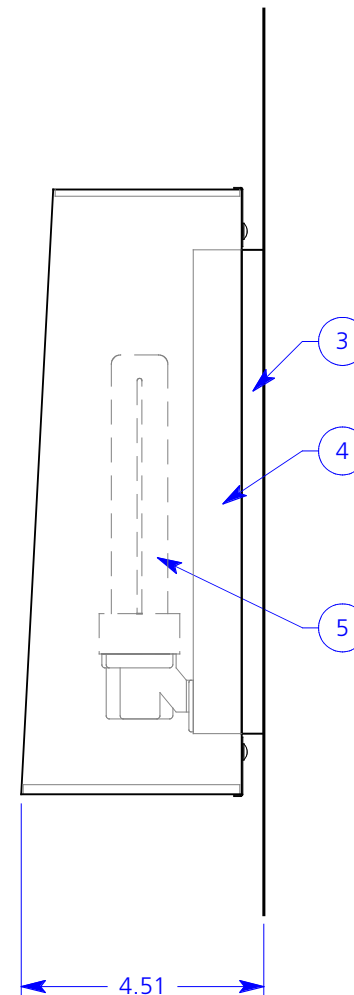
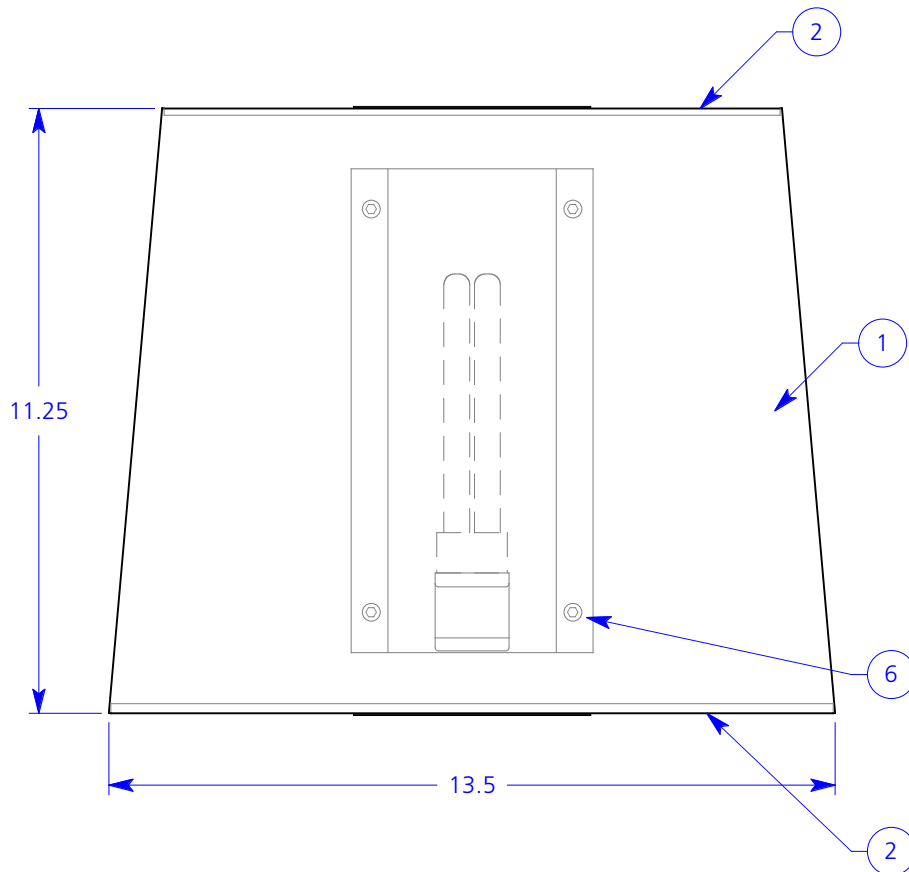
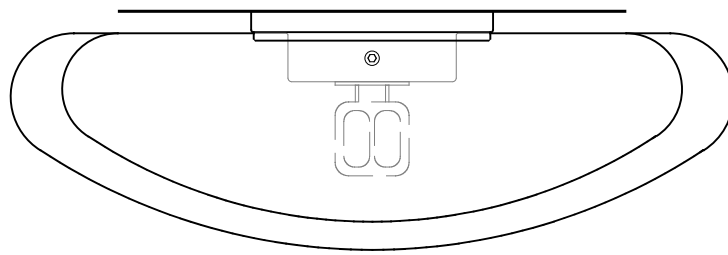
**Prosperity D3E
Keystone Wall**
5% Dimming
Universal Voltage CFL

- Configurations:**
- 18 watt G24q-2 base
Lutron EcoSystem
EC3DT418KU1
 - 26 watt G24q-3 base
Lutron EcoSystem
EC3DT4MWKU1

- Stock fabric options:**
- 6615-20**, Flash Back
 - 6603-18**, Dash
 - 6603-16**, Dash
 - 6603-9**, Dash
 - 6619-92**, Quarry
 - 6619-99**, Quarry
 - 6427-226**, Meteor
 - 6427-708**, Meteor
 - 6427-720**, Meteor
 - 6427-721**, Meteor

Custom Xorel fabric:

RESOLUTE
4660 Ohio Ave. S, Unit C
Seattle, WA 98134
T 206.343.9323
F 888.346.8079
info@resoluteusa.com



NOTES:

1. Carnegie Xorel fabric shade with high-impact acrylic inner diffuser
2. Satin acrylic end cap both ends
3. 4.5" x 9" white steel back box
4. Lutron EcoSystem electronic dimming ballast inside back box
5. Compact fluorescent lamp "double" (NIC)
6. Fixture mounts directly to surface of wall with four flat head mounting screws (included)

