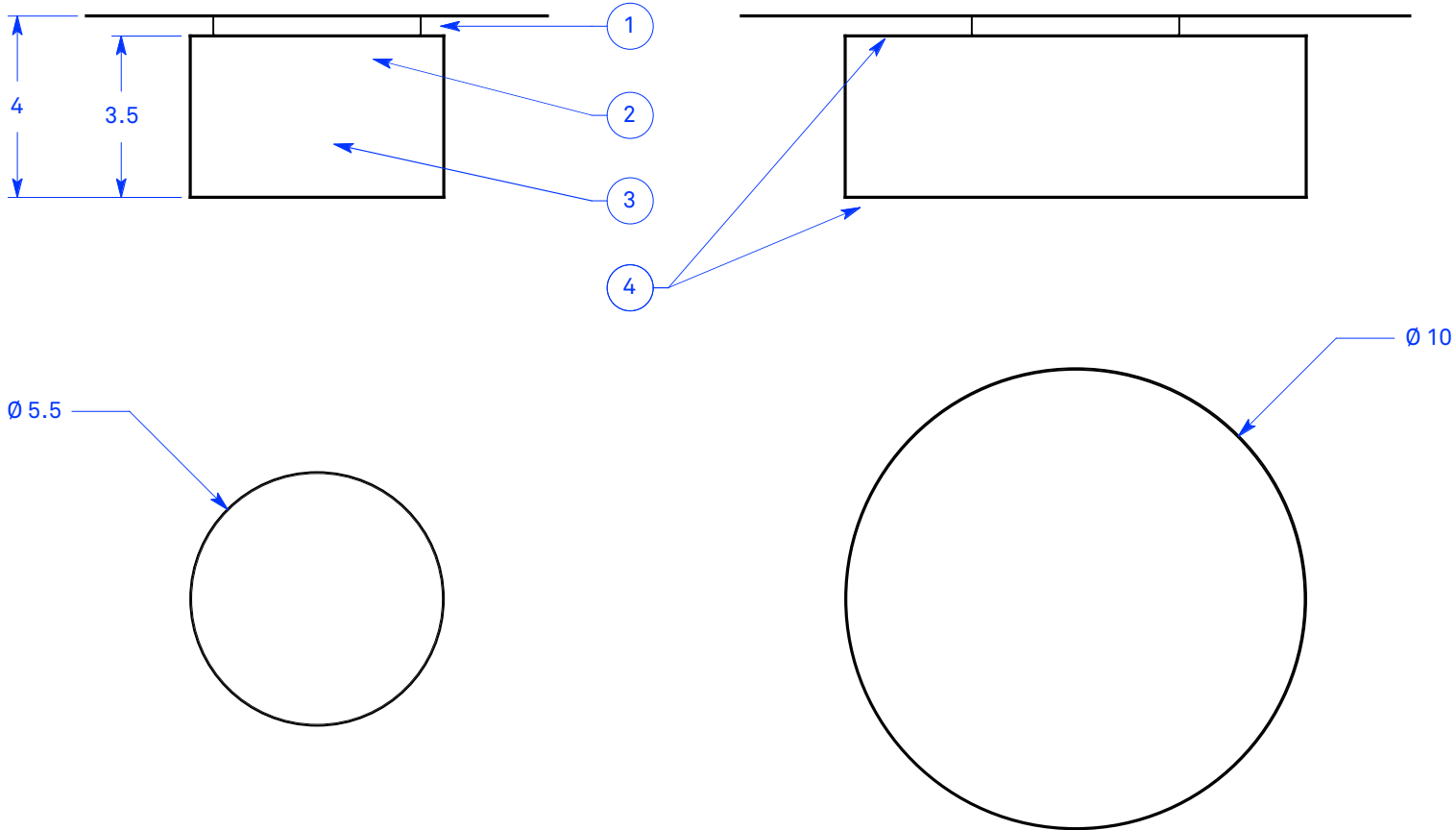


ALL DIMENSIONS IN INCHES



NOTES:

1. Ø 4.5" dull silver powder coated steel canopy for magnetic shade attachment
2. 955 lumen 2700K 80 CRI LED module (90 CRI available upon request)
3. Carnegie Xorel fabric backed with opal white high-impact copolymer
4. Satin clear high-impact copolymer top and bottom diffusion disks

Type:

Quantity:

Approval signature:

Name:

Firm:

Date:

Puncheon 4 Ceiling

10 Watt LED
TRIAC/ELV 10% Dimming
Universal voltage

Configurations:

P54CS - Ø 5.5-3.5

P104CS - Ø 10-3.5

Xorel fabric selection:

8.21.18

RESOLUTE

4617 Colorado Ave. S, Unit A
Seattle, WA 98134

T 206.343.9323

F 888.346.8079

info@resoluteusa.com

