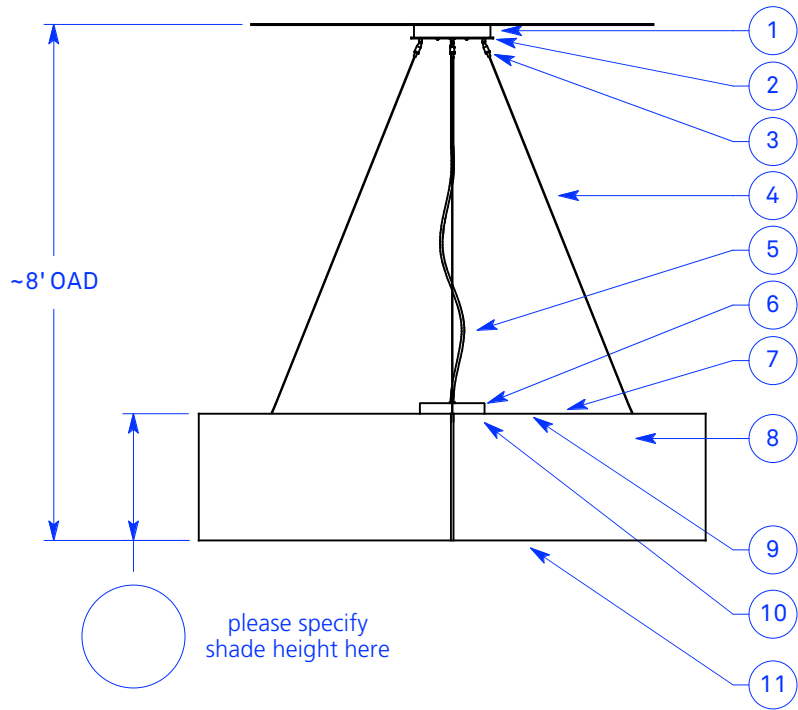
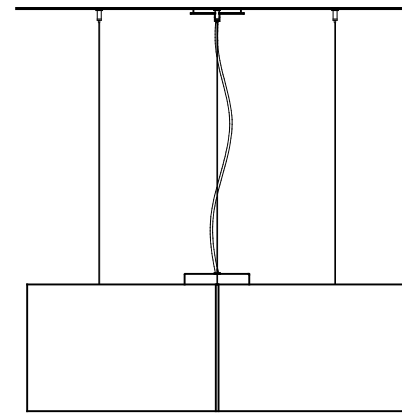
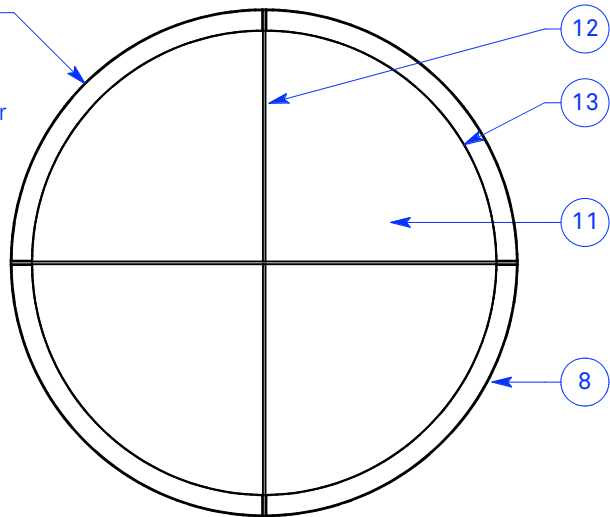


ALL DIMENSIONS IN INCHES



please specify shade height here

please specify fixture diameter here



OVER 45 LBS CONFIGURATION

**NOTES:**

1. Ø 7" x 1.25" deep powder coated canopy
2. Ø 7.5" powder coated faceplate
3. Nickel plated clutch cable grip with safety nut
4. Stainless steel aircraft cable (field cut to length)
5. Clear jacket electrical cord
6. Powder coated wiring enclosure
7. White array bed
8. Carnegie Xorel fabric outer shade backed with high-impact copolymer sheet
9. 8x 3000K LED modules, up to 11776 source lumens total
10. 2x dimming LED drivers @ 80W inside enclosure
11. Opal white fabric bottom diffuser disk
12. 1/4" thick powder coated aluminum armature
13. Frosted high-impact copolymer inner shade

Type: Quantity:

Approval signature:

Name:

Firm:

Date:

**Savoie Pendant**

Universal voltage LED  
Lutron 1% Dimming Driver

Specify Lutron control system:

**Fixture options:**

- Remote control - via Lutron PowPak
- Sensor - Integrated motion & daylight combination sensor

**Finish options:**

- Silver
- Bronze

**Xorel fabric selection:**

**RESOLUTE**

4617 Colorado Ave. S, Unit A  
Seattle, WA 98134  
T 206.343.9323  
F 888.346.8079  
info@resoluteusa.com

