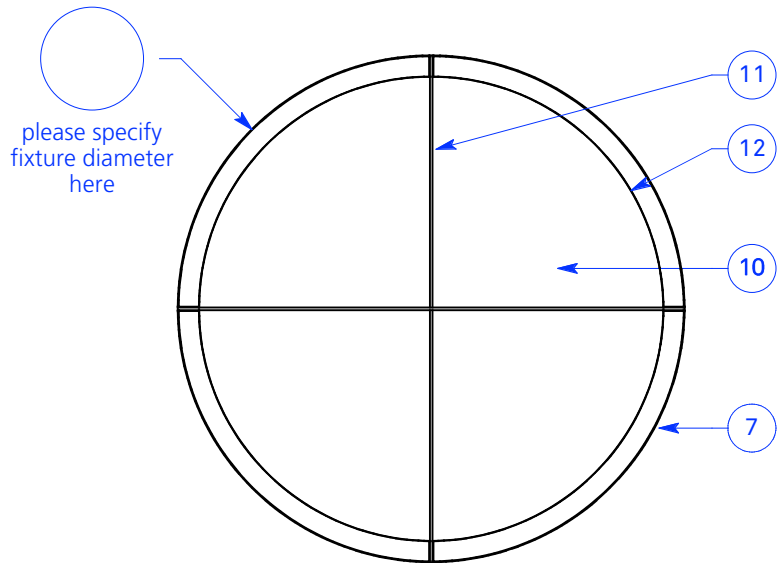
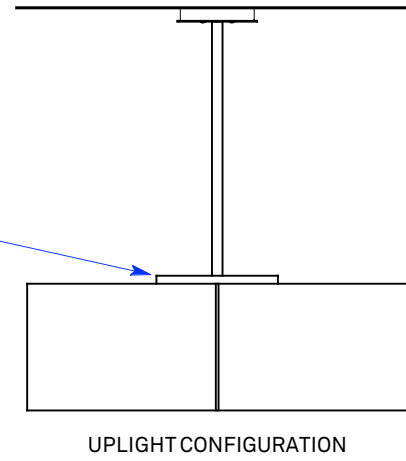
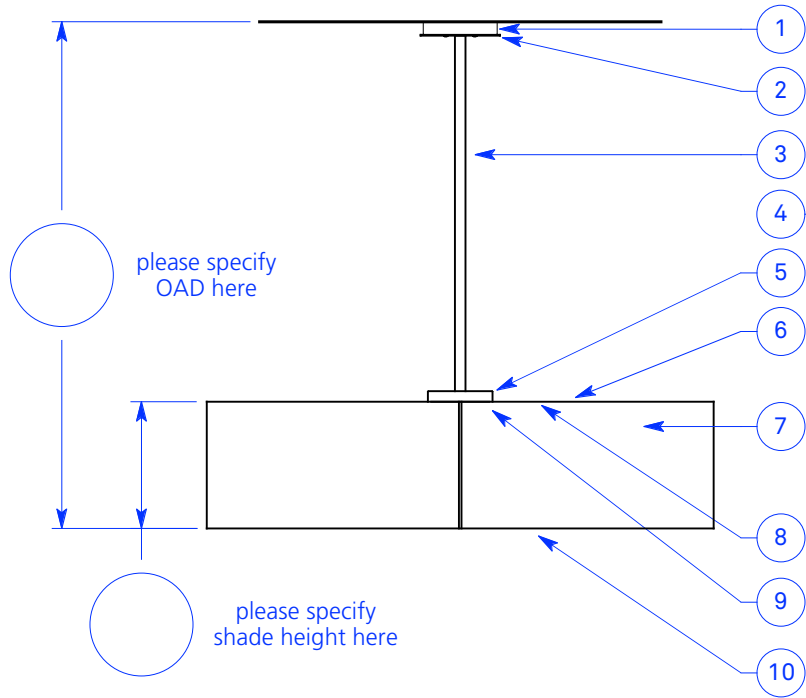


ALL DIMENSIONS IN INCHES



**NOTES:**

1. Ø 7" x 1.25" deep powder coated canopy
2. Ø 7.5" powder coated faceplate
3. Ø 1" powder coated stem
4. Optional lensed uplight, contains 2x 3000K LED modules, 2832 source lumens total; dimming LED driver @ 21W
5. Powder coated wiring enclosure if no up-light module
6. White array bed
7. Carnegie Xorel fabric outer shade backed with high-impact copolymer sheet
8. 8x 3000K LED modules, up to 11776 source lumens total
9. 2x dimming LED drivers @ 80W inside enclosure
10. Opal white fabric bottom diffusion disk
11. 1/4" thick powder coated aluminum armature
12. Frosted high-impact copolymer inner shade

Type: Quantity:

Approval signature:

Name:

Firm:

Date:

**Savoy Rigid Drop**

Universal voltage LED  
Lutron 1% Dimming Driver

**Specify Lutron control system:**

**Fixture options:**

- Uplight
- Remote control - via Lutron PowPak
- Sensor - Integrated motion & daylight combination sensor

**Finish options:**

- Silver
- Bronze

**Xorel fabric selection:**

**RESOLUTE**

4617 Colorado Ave. S, Unit A  
Seattle, WA 98134  
T 206.343.9323  
F 888.346.8079  
info@resoluteusa.com

