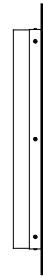
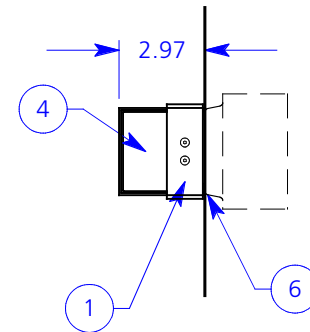
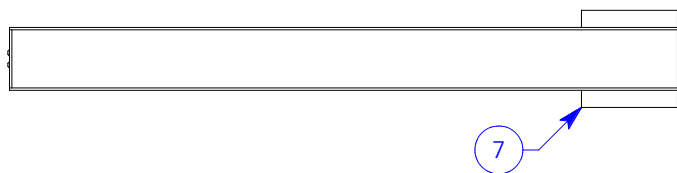
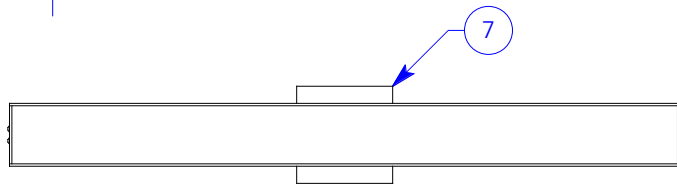
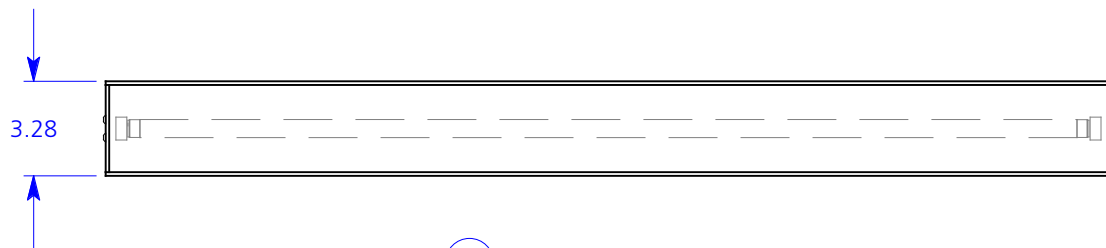
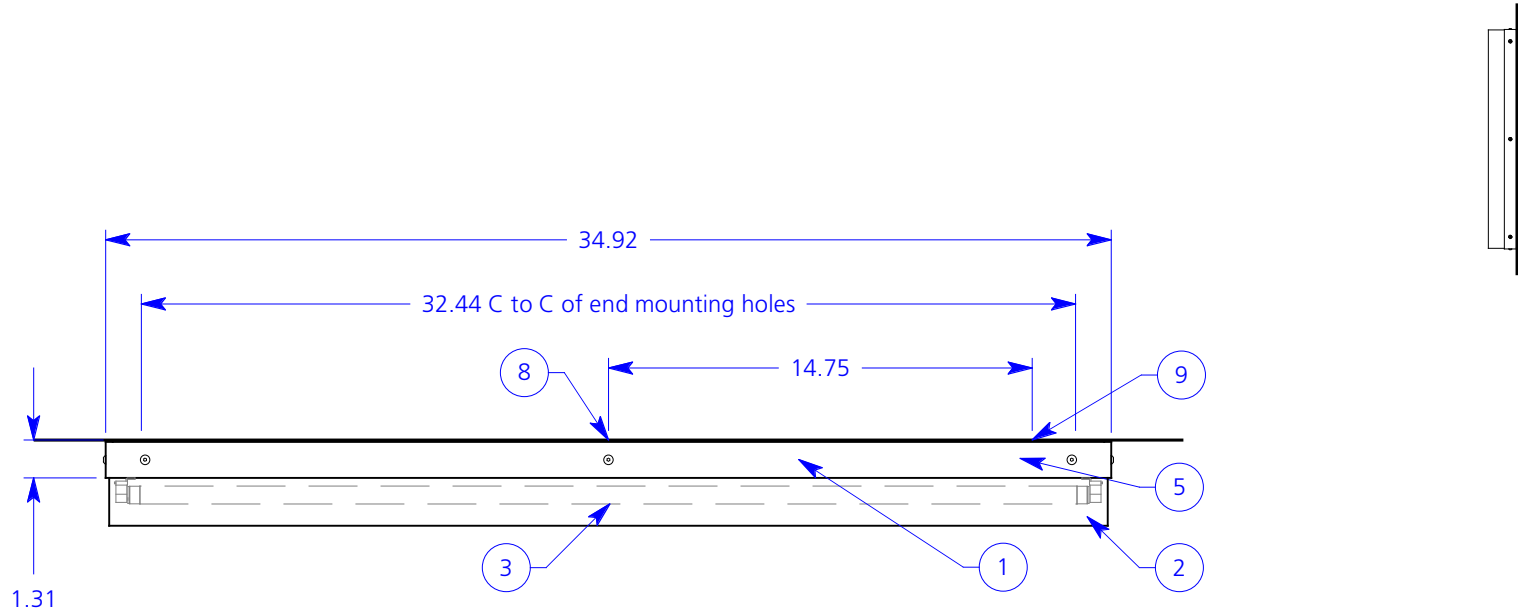


ALL DIMENSIONS IN INCHES



NOTES:

1. Powder coated aluminum edge trim
2. Carnegie Xorel fabric backed with high-impact copolymer sheet
3. Linear fluorescent T5 mini-bipin base lamp (NIC)
4. Frosted acrylic enclosure (both ends)
5. Fulham electronic Class P ballast (inside back box)
6. Must be mounted to mud ring with finished opening no greater than \varnothing 3.125"
7. Optional powder coated escutcheon for covering \varnothing 4.5" finished opening
8. Center mounting wireway
9. End mounting wireway 14.75" from center

Type: Quantity:

Approval signature:

Name:

Firm:

Date:

Smith 36 Wall
 Dedicated voltage
 21 watt linear fluorescent

- Finish options:**
- S36-21**
 silver powder coat
 silver mounting screws
 - S36B-21**
 bronze powder coat
 black mounting screws

- Fixture options:**
- BJC** - Escutcheon

- Voltage options:**
- 120 volt** - WH2-120-C
 - 277 volt** - WH2-277-C

- Stock fabric options:**
- 6615-20**, Flash Back
 - 6603-18**, Dash
 - 6603-16**, Dash
 - 6603-9**, Dash
 - 6619-92**, Quarry
 - 6619-99**, Quarry
 - 6427-226**, Meteor
 - 6427-708**, Meteor
 - 6427-720**, Meteor
 - 6427-721**, Meteor

COM:

RESOLUTE
 4660 Ohio Ave. S, Unit C
 Seattle, WA 98134
 T 206.343.9323
 F 888.346.8079
 info@resoluteusa.com