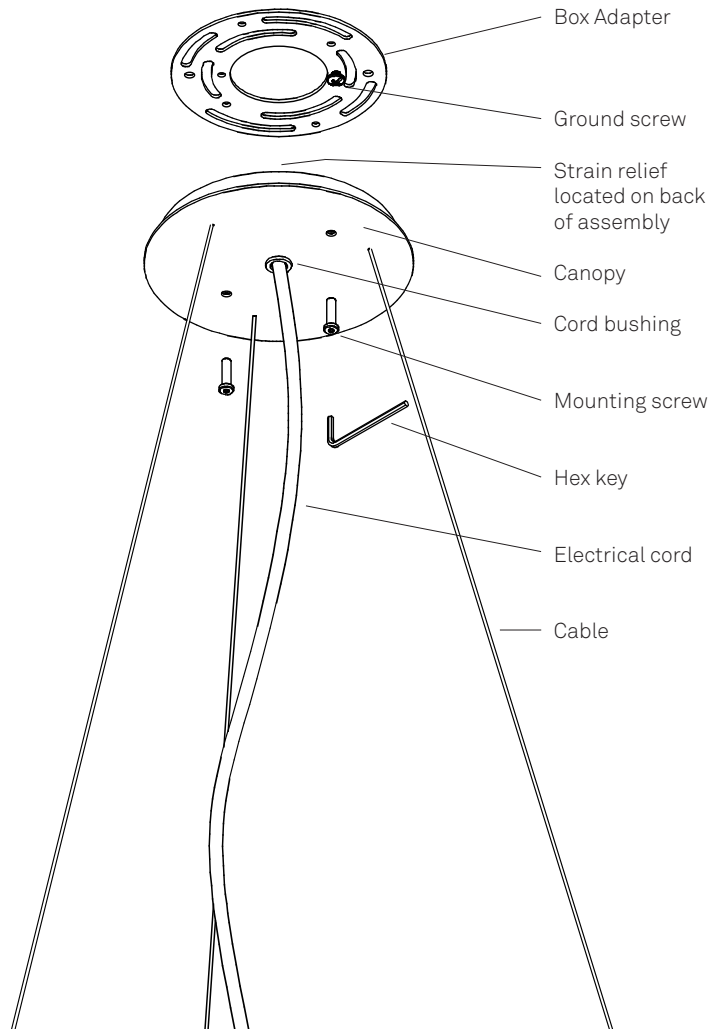


ASSEMBLY INSTRUCTIONS

BONNEVILLE



Installing 3 Cable Pendant

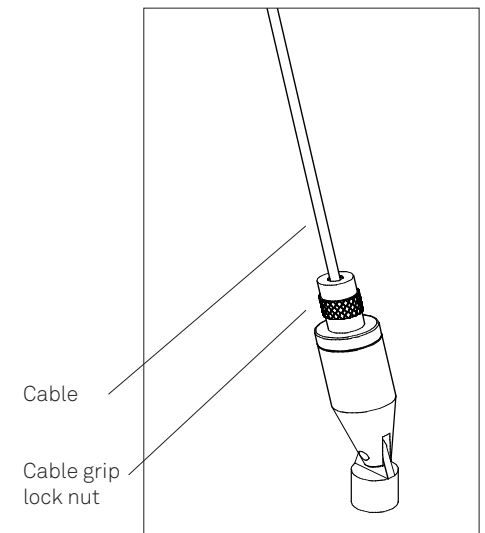
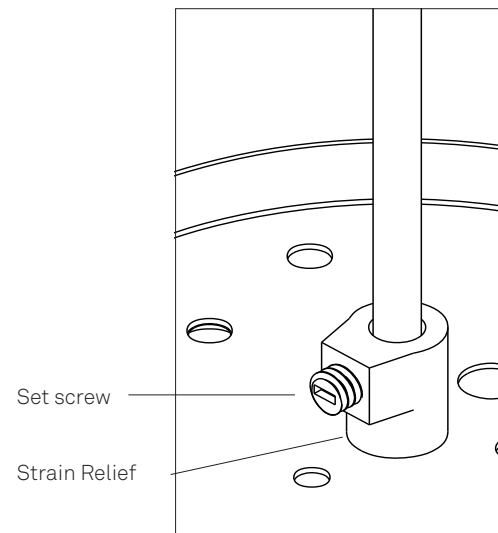
DANGER - RISK OF SHOCK - DISCONNECT POWER PRIOR TO INSTALLATION

1. Determine drop length. Measure, trim and strip electrical cord to the appropriate length.
2. Attach box adapter to the junction box.
3. Feed cord through cord bushing and strain relief (with set screw backed out for clearance) in canopy assembly.
4. Tighten set screw in the strain relief to secure electrical cord when desired drop length has been achieved.
5. Make electrical connections per wiring diagram.
6. Affix canopy to the junction box/box adapter assembly with the two mounting screws provided.

Cable Grip Instructions

MAKE CERTAIN THE CABLES AND CORD DO NOT CROSS EACH OTHER BETWEEN THE CANOPY AND THE TOP LID

1. Loosen the cable grip lock nut and push the cable end through.
2. Continue to push the cable through, raising the reflector disk to the desired height. To lower the disk, push the lock nut to the release the cable grip. When height is set, tighten the lock nuts and trim the cable.



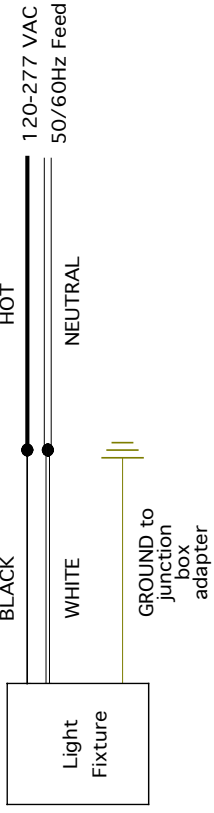
RESOLUTE

RESOLUTE is a registered trademark of MANIFESTO corporation
4617 Colorado Avenue South, Unit A, Seattle WA 98134
www.resoluteonline.com info@resoluteusa.com

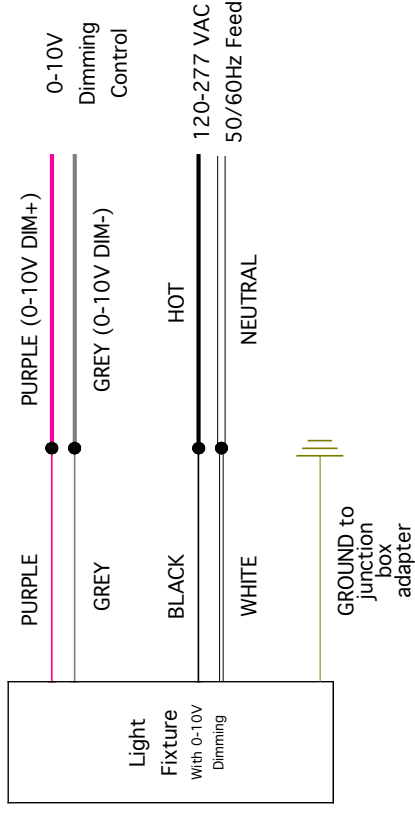


ASSEMBLY INSTRUCTIONS BONNEVILLE

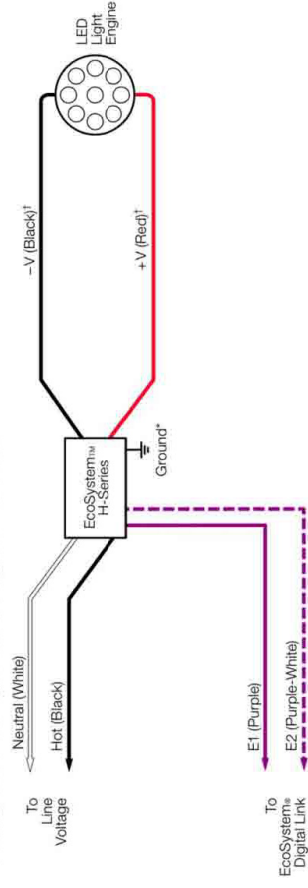
TRIAC/PHASE CONTROL 1% Dimming



0-10V Dimming



Wiring for EcoSystem™ Digital Control**



For Lutron 2-Wire Forward-Phase go to:

<http://www.lutron.com/technical/documentlibrary/041549>.

RESOLUTE

RESOLUTE is a registered trademark of MANIFESTO corporation
4617 Colorado Avenue South, Unit A, Seattle WA 98134
www.resoluteonline.com info@resoluteusa.com

