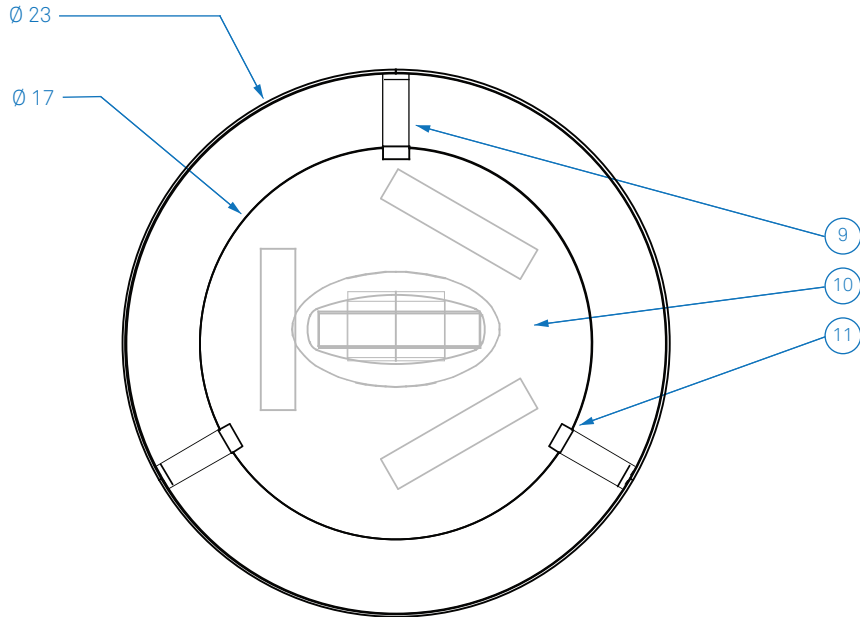
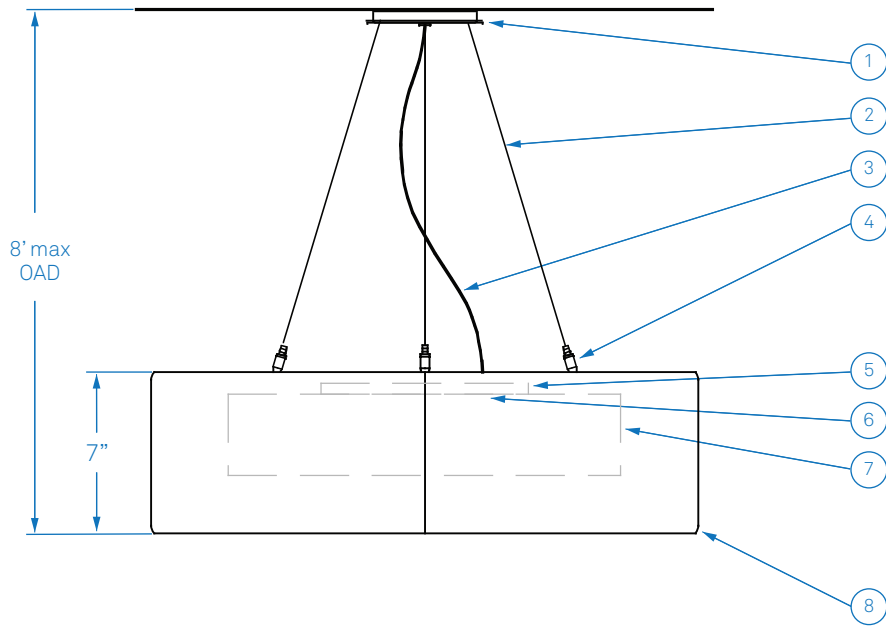


ALL DIMENSIONS IN INCHES



**NOTES**

1. Ø 4.5" steel canopy and Ø 5" steel faceplate, finish to match shade
2. Stainless steel aircraft cable (field cut to length)
3. Clear jacket electrical cord (field cut to length)
4. Nickel plated clutch cable grip with safety nut
5. 3000K LED uplight module, 1307 source lumens, other color temperatures available upon request
6. 3x 3000K LED downlight modules, 3921 source lumens, other color temperatures available upon request
7. Side diffuser: opal white high-impact copolymer
8. Hand-formed cold rolled steel shade with tank rolled edges and an optional painted color liner
9. Steel shade armature, finish to match shade
10. Bottom diffuser: opal white, high-impact copolymer
11. Diffusion disk retaining tabs, finish to match shade

<b>Type:</b>	<b>Quantity:</b>
<b>Approval Signature:</b>	
<b>Name:</b>	
<b>Specifier:</b>	
<b>Date:</b>	
<p><b>Bonneville D23</b> 32 Watts, 1% Dimming</p>	
<p><b>Driver Configurations:</b></p> <p><input type="checkbox"/> 0-10V dimming, universal voltage</p> <p><input type="checkbox"/> Lutron EcoSystem dimming, universal voltage</p> <p><input type="checkbox"/> Lutron 2-wire phase control dimming, 120 volts</p>	
<p><b>Metal Shade Finish Selection:</b></p> <p><input type="checkbox"/> Blackened Steel</p> <p><input type="checkbox"/> Rose Bronze patina</p> <p><input type="checkbox"/> Matte Black powder coat</p> <p><input type="checkbox"/> Matte White powder coat</p>	
<p><b>Shade liner:</b></p> <p><input type="checkbox"/> White                      <input type="checkbox"/> Orange</p> <p><input type="checkbox"/> Yellow                      <input type="checkbox"/> Red</p> <p><input type="checkbox"/> Light Blue                      <input type="checkbox"/> Mustard</p> <p>Custom Color By Request</p> <div style="border: 1px solid black; height: 20px; width: 100%;"></div>	
6.11.20	
<p><b>RESOLUTE</b></p> <p>4617 Colorado Ave. S, Unit A Seattle, WA 98134 T 206.343.9323 info@resoluteusa.com</p>	

