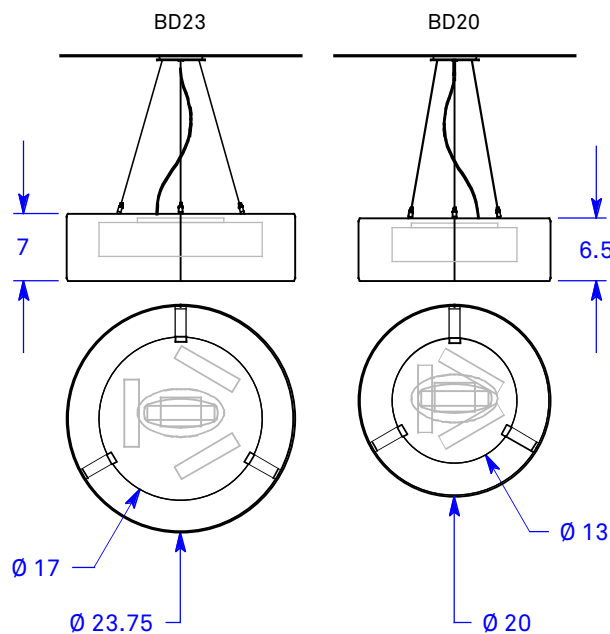
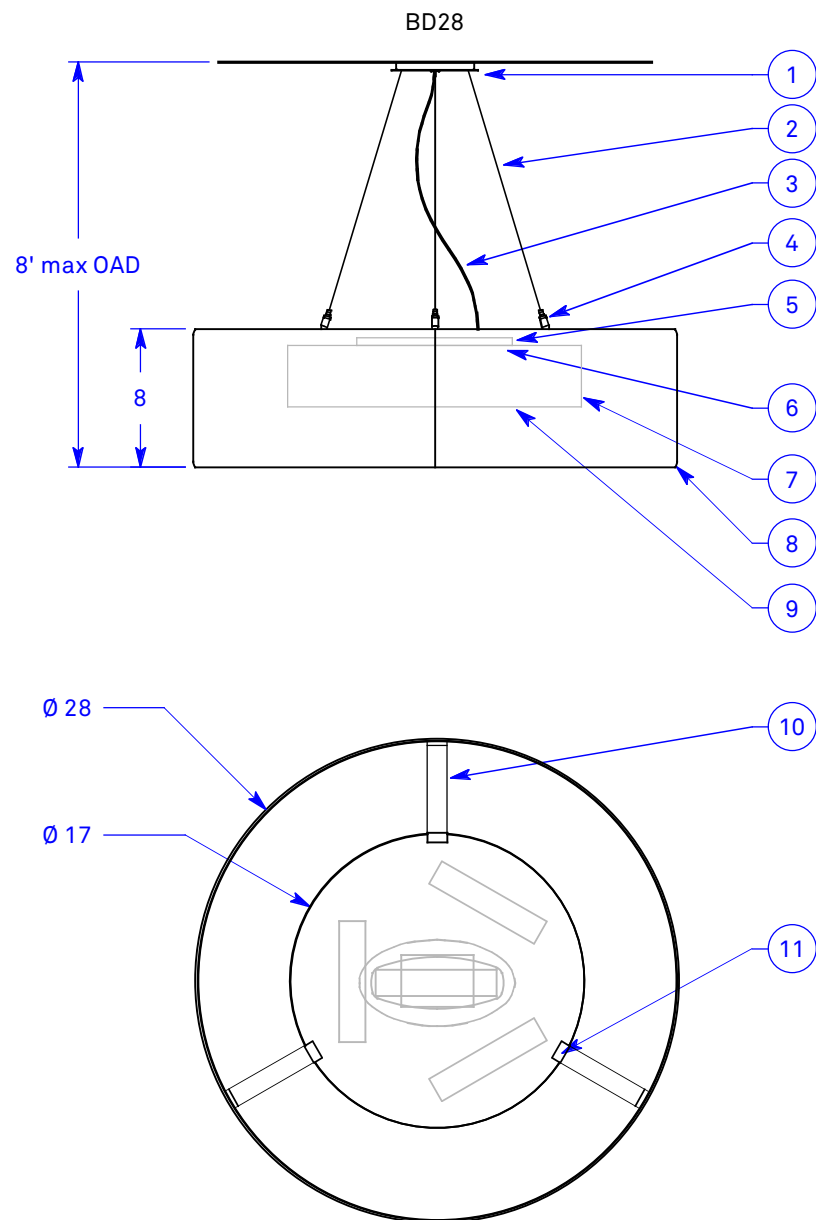


ALL DIMENSIONS IN INCHES



NOTES

1. Powder coated $\text{\O} 4.5''$ canopy and $\text{\O} 5''$ faceplate
2. Stainless steel aircraft cable (field cut to length)
3. Clear jacket electrical cord (field cut to length)
4. Nickel plated clutch cable grip with safety nut
5. 3000K LED upright module, 1084 source lumens, other color temperatures available upon request
6. LED capsule containing three 3000K LED downlight modules, 3251 source lumens; other color temperatures available upon request
7. Opal white high-impact copolymer side diffuser
8. Hand-formed cold rolled steel shade with tank rolled edges with optional painted color interior, natural cork liner, or custom option
9. Opal white high-impact copolymer bottom diffuser
10. Powder coated shade armature
11. White diffusion disk retaining tabs



Type:	Quantity:
Approval Signature:	
Specifier:	
Date:	
<p>Bonneville Pendant Powder coat finishes 39 Watts, 1% Dimming</p>	
<p>Shade size options:</p> <input type="checkbox"/> BD20 - $\text{\O} 20''$ <input type="checkbox"/> BD23 - $\text{\O} 23''$ <input type="checkbox"/> BD28 - $\text{\O} 28''$	
<p>Driver configurations:</p> <input type="checkbox"/> 0-10V dimming, universal voltage <input type="checkbox"/> Lutron Ecosystem dimming, universal voltage <input type="checkbox"/> Lutron 2-Wire phase control dimming, 120 volts	
<p>Powder coat options:</p> <input type="checkbox"/> Matte black <input type="checkbox"/> Matte white	
<p>Interior options:</p> <p>Painted selections</p> <input type="checkbox"/> White <input type="checkbox"/> Orange <input type="checkbox"/> Yellow <input type="checkbox"/> Red <input type="checkbox"/> Light blue <input type="checkbox"/> Mustard Custom option <input type="checkbox"/> Natural cork	
Date: 4.12.22	
<p>RESOLUTE</p> 4617 Colorado Ave. S, Unit A Seattle, WA 98134 T 206.343.9323 info@resoluteusa.com	