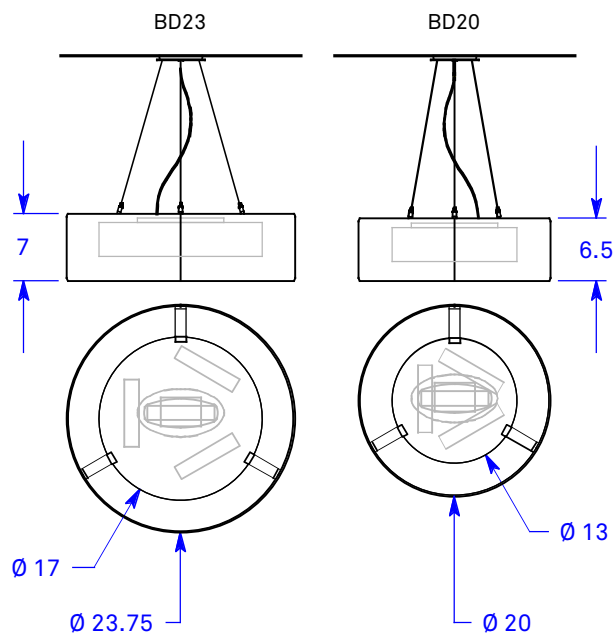
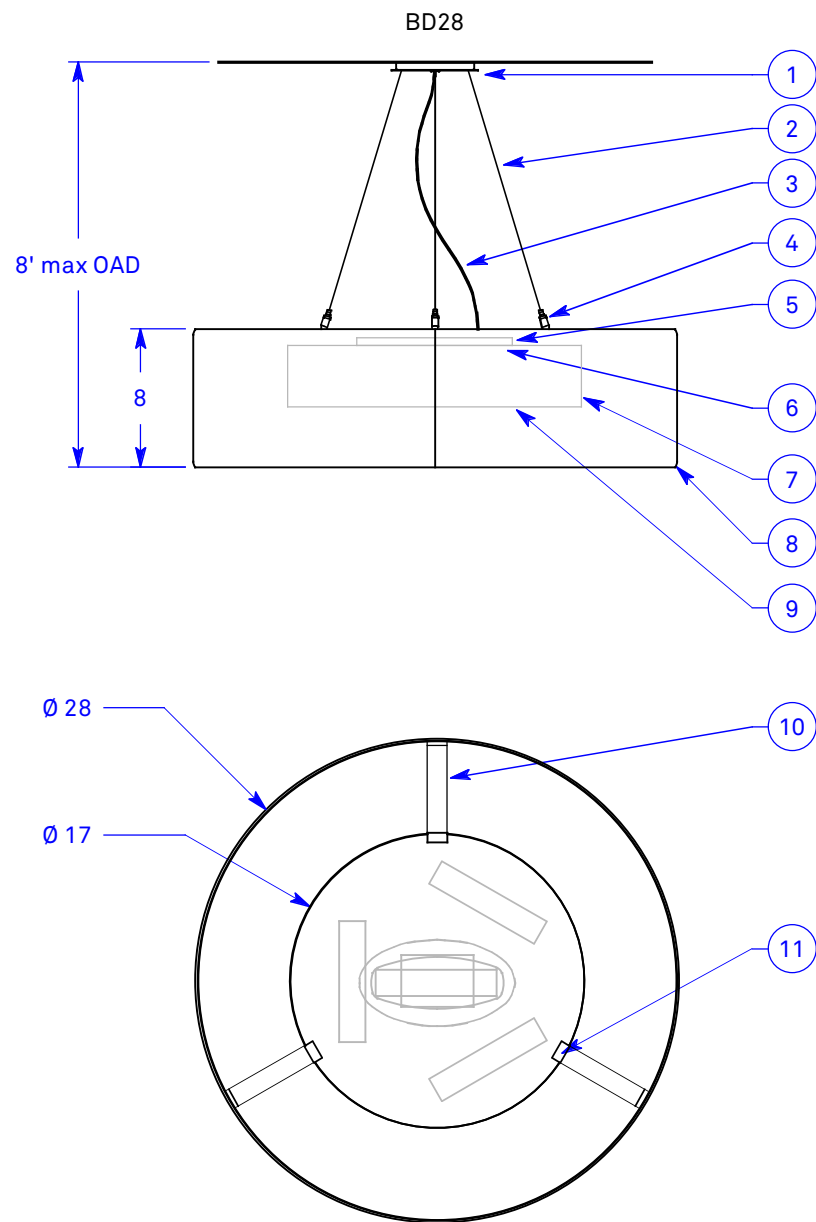


ALL DIMENSIONS IN INCHES



**NOTES**

1. Ø 4.5" matte black powder coated canopy and Ø 5" steel faceplate, patinated to match shade
2. Stainless steel aircraft cable (field cut to length)
3. Clear jacket electrical cord (field cut to length)
4. Nickel plated clutch cable grip with safety nut
5. 3000K LED uplight module, 1084 source lumens, other color temperatures available upon request
6. LED capsule containing three 3000K LED downlight modules, 3251 source lumens; other color temperatures available upon request
7. Opal white high-impact copolymer side diffuser
8. Hand-formed cold rolled steel shade with tank rolled edges and optional color or natural cork liner
9. Opal white high-impact copolymer bottom diffuser
10. Steel shade armature
11. White diffusion disk retaining tabs



Type:	Quantity:
Approval Signature:	
Specifier:	
Date:	
<p><b>Bonneville Pendant</b>  <b>Patina finishes</b>          39 Watts, 1% Dimming</p>	
<p><b>Shade size options:</b></p> <input type="checkbox"/> BD20 - Ø 20" <input type="checkbox"/> BD23 - Ø 23" <input type="checkbox"/> BD28 - Ø 28"	
<p><b>Driver configurations:</b></p> <input type="checkbox"/> 0-10V dimming, universal voltage <input type="checkbox"/> Lutron Ecosystem dimming, universal voltage <input type="checkbox"/> Lutron 2-Wire phase control dimming, 120 volts	
<p><b>Patina options:</b></p> <input type="checkbox"/> Blackened steel <input type="checkbox"/> Rose Bronze	
<p><b>Shade liner selections:</b></p> <input type="checkbox"/> White <input type="checkbox"/> Orange <input type="checkbox"/> Yellow <input type="checkbox"/> Red <input type="checkbox"/> Light blue <input type="checkbox"/> Mustard  <input type="checkbox"/> Natural cork	
Date: 4.12.21	
<p><b>RESOLUTE</b>          4617 Colorado Ave. S, Unit A          Seattle, WA 98134          T 206.343.9323          info@resoluteusa.com</p>	