

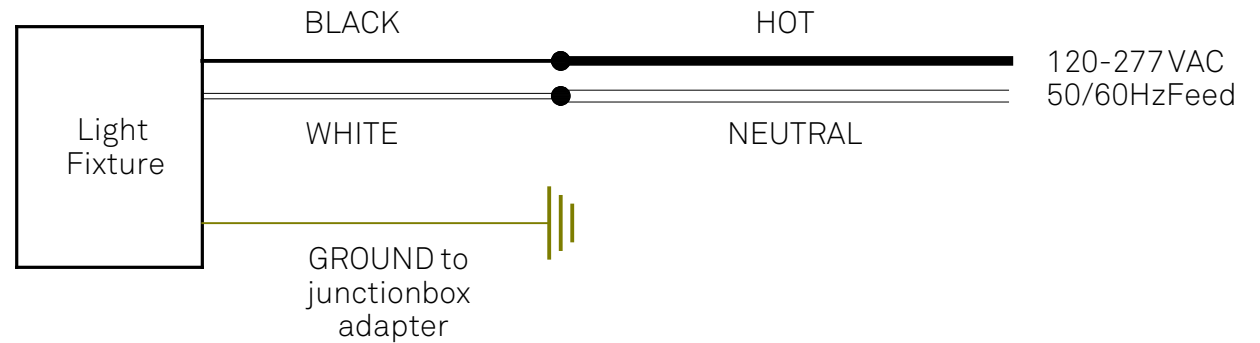
ASSEMBLY INSTRUCTIONS

UTILITY LED FAMILY

Pendant
Ceiling
Rigid Drop
Wall Fixture

Wiring Diagram:

TRIAC/ELV 10% Dimming



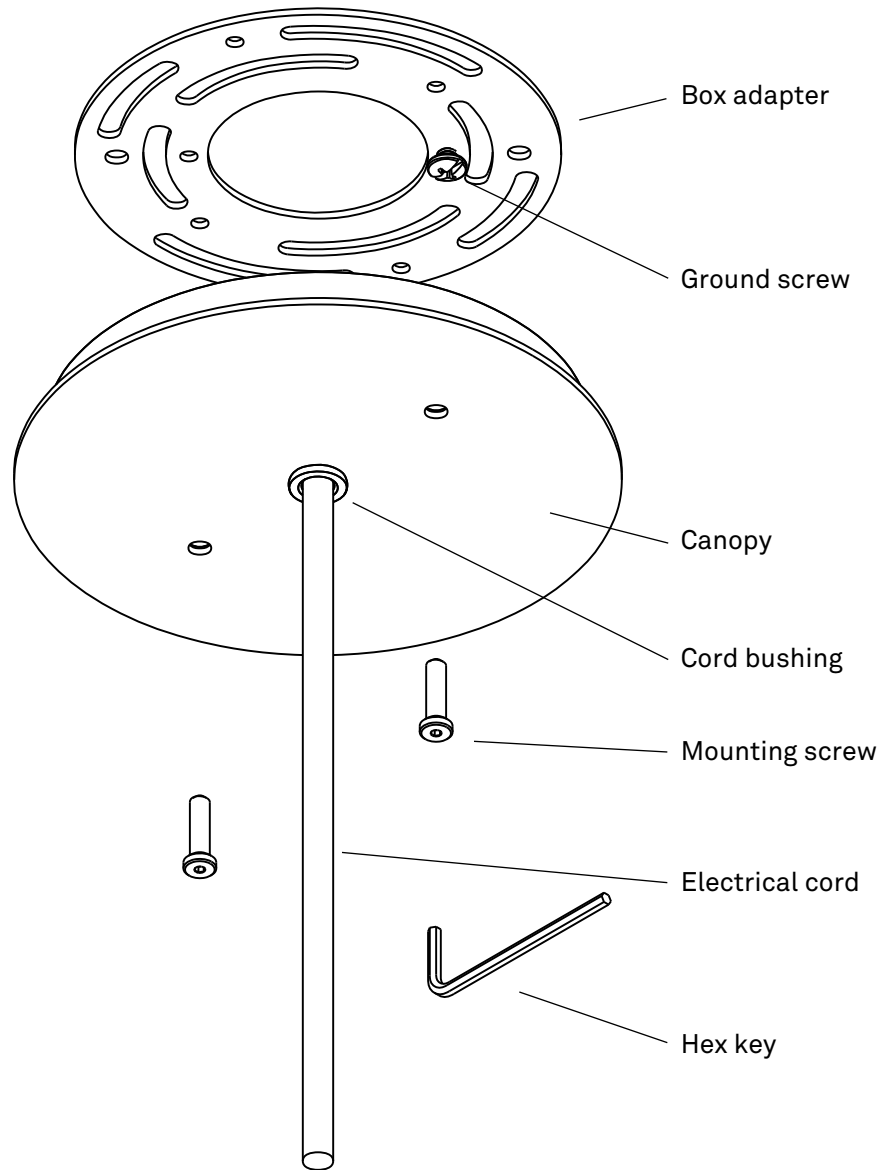
RESOLUTE

RESOLUTE is a registered trademark of MANIFESTO Corporation
4617 Colorado Avenue South, Unit A, Seattle WA 98134
www.resoluteonline.com info@resoluteusa.com



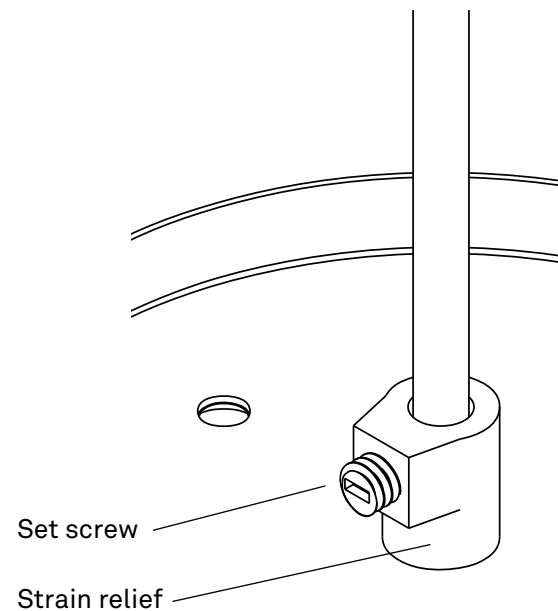
ASSEMBLY INSTRUCTIONS

STANDARD PENDANT



Make certain power is off before you begin.

1. Determine drop length. Measure, trim and strip electrical cord to the appropriate length.
2. Attach box adapter to the junction box.
3. Feed cord through cord bushing and strain relief (with set screw backed out for clearance) in canopy assembly.
4. Make electrical connections per wiring diagram.
5. Tighten set screw in the strain relief to secure electrical cord when desired drop length has been achieved.
6. Affix canopy to the junction box/box adapter assembly with the two mounting screws provided.



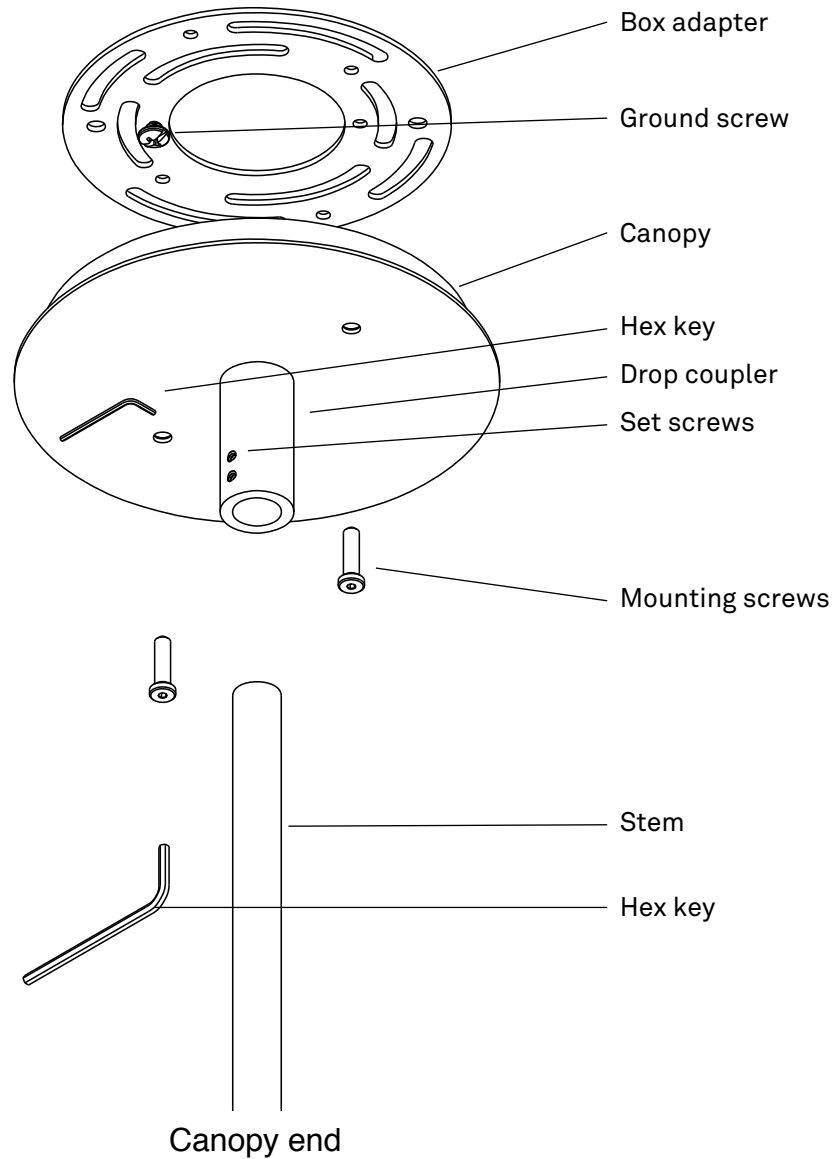
RESOLUTE

RESOLUTE is a registered trademark of MANIFESTO Corporation
4617 Colorado Avenue South, Unit A, Seattle WA 98134
www.resoluteonline.com info@resoluteusa.com



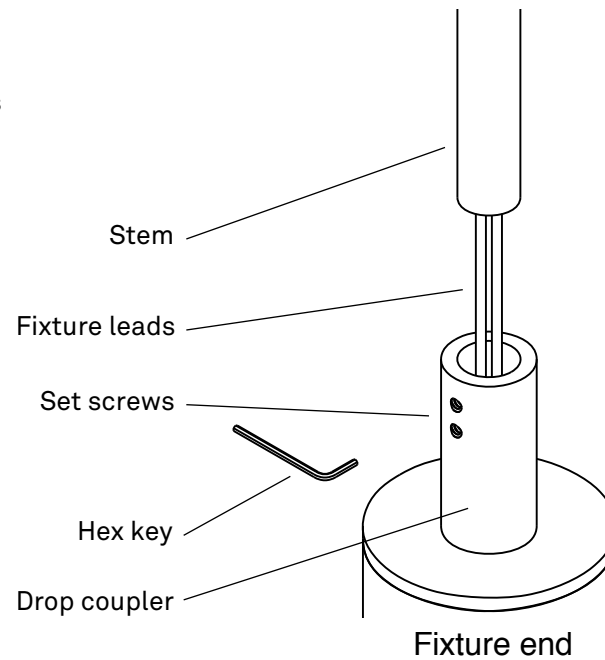
ASSEMBLY INSTRUCTIONS

FIELD CUT DROP



Make certain power is off before you begin.

1. Mount the box adapter to the junction box.
2. Determine drop length, trim and de-burr the stem to the appropriate length.
3. Loosen the set screws in both drop couplers so that the stem moves freely into the drop coupler.
4. Feed the fixture leads through the stem, seat the stem inside the drop coupler at the fixture end, and tighten the two set screws to secure the stem.
5. Feed the fixture leads through the drop coupler/canopy assembly. Seat the other end of the stem into the drop coupler on the canopy and tighten the two set screws to secure the stem.
6. Make electrical connections per wiring diagram.
7. Affix canopy to the junction box/box adapter assembly with the two mounting screws provided.



RESOLUTE

RESOLUTE is a registered trademark of MANIFESTO Corporation
4617 Colorado Avenue South, Unit A, Seattle WA 98134
www.resoluteonline.com info@resoluteusa.com

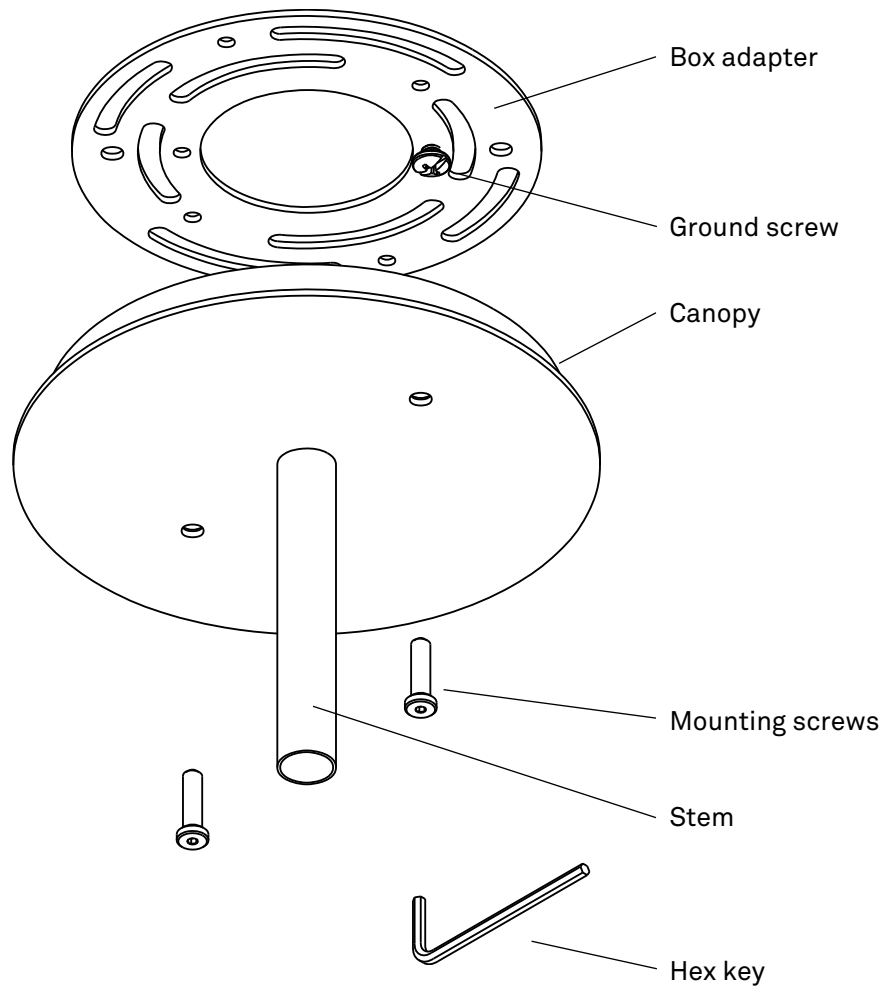


ASSEMBLY INSTRUCTIONS

CEILING

Make certain power is off before you begin.

1. Attach box adapter to the junction box.
2. Make electrical connections per wiring diagram.
3. Attach box strap to the junction box.
4. Affix canopy to the junction box/box adapter assembly with the two mounting screws provided.



RESOLUTE

RESOLUTE is a registered trademark of MANIFESTO Corporation
4617 Colorado Avenue South, Unit A, Seattle WA 98134
www.resoluteonline.com info@resoluteusa.com

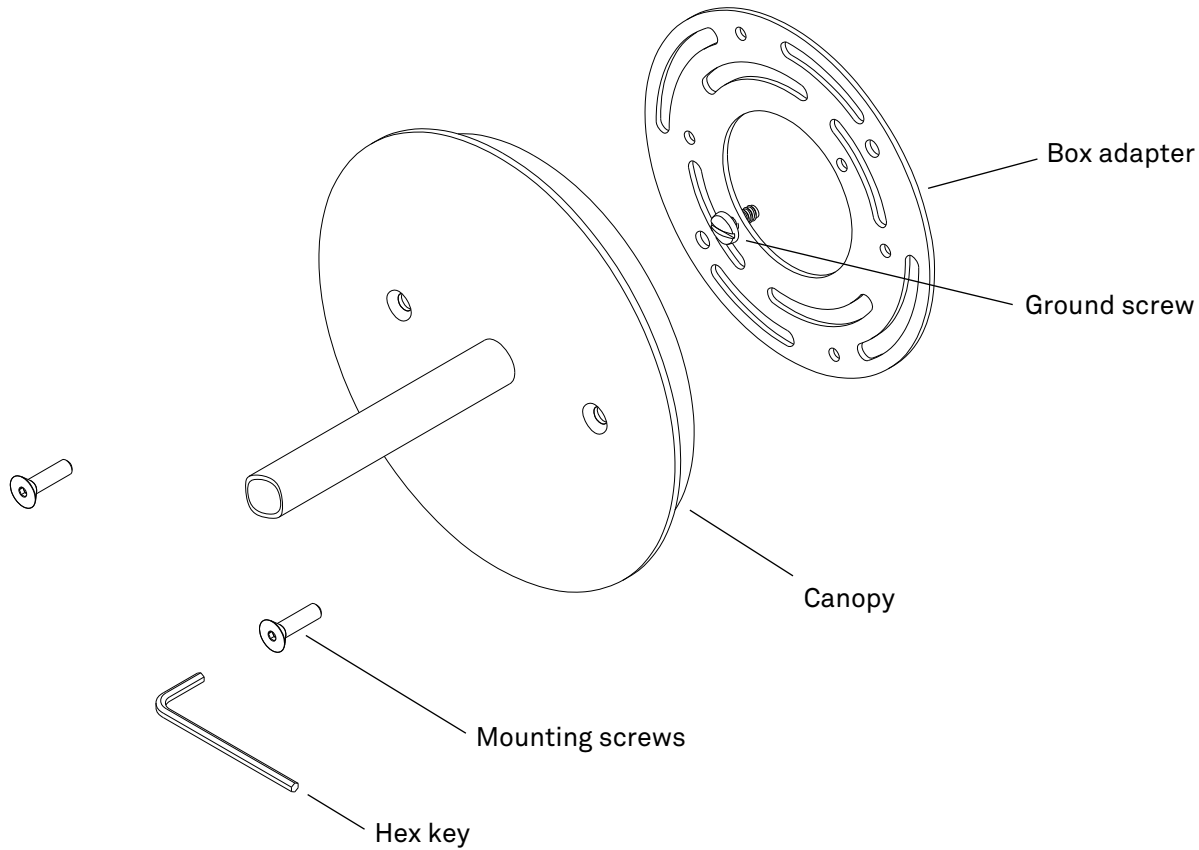


ASSEMBLY INSTRUCTIONS

WALL FIXTURE

Make certain power is off before you begin.

1. Attach box adapter to the junction box.
2. Make electrical connections per wiring diagram.
3. Affix canopy assembly to the box adapter/junction box assembly with the provided mounting screws.



RESOLUTE

RESOLUTE is a registered trademark of MANIFESTO Corporation
4617 Colorado Avenue South, Unit A, Seattle WA 98134
www.resoluteonline.com info@resoluteusa.com

