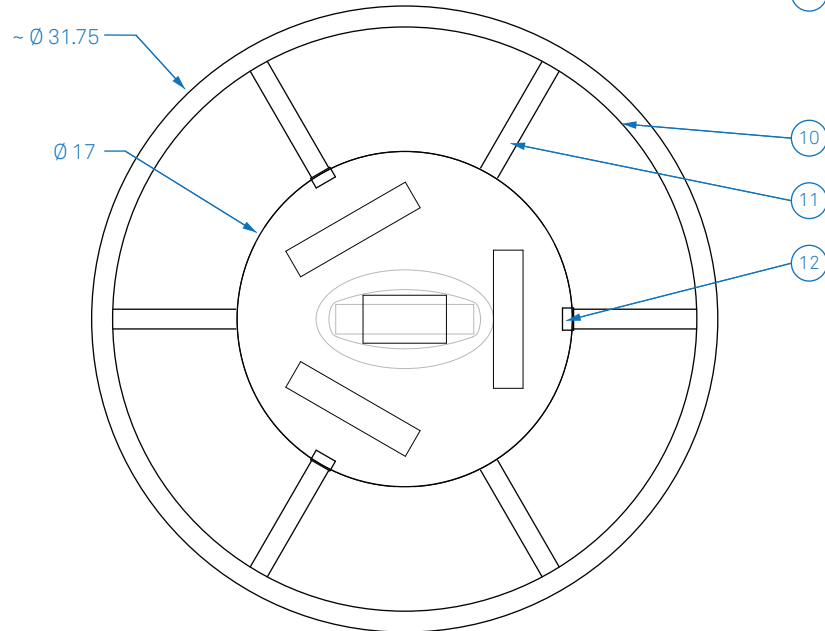
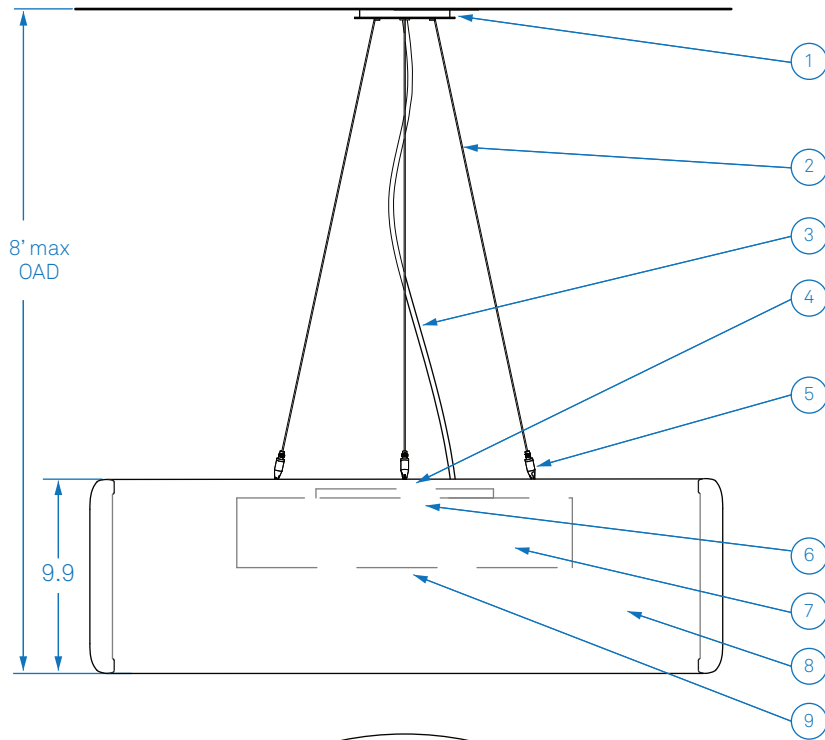
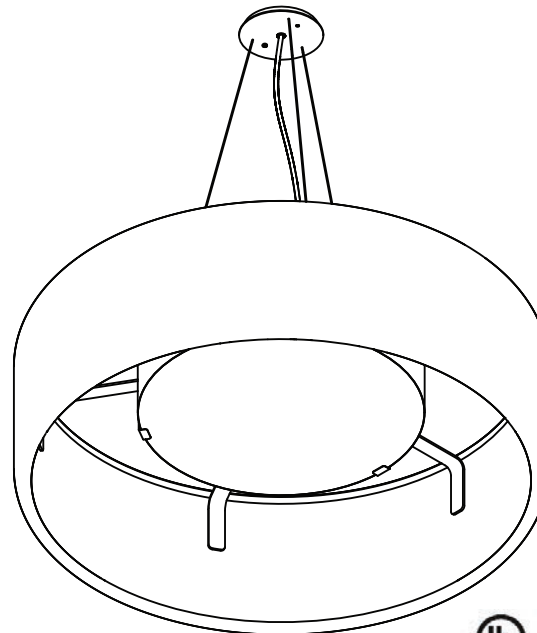


ALL DIMENSIONS IN INCHES



**NOTES**

1. Matte silver powder coated  $\varnothing$  4.5" canopy, Warm Matte or Natural Matte  $\varnothing$  5" faceplate. These are coordinated with the finishes on the aluminum shade armature. Matte silver powder coat is paired with the painted color liners. Natural Matte and Warm Matte are finished to match armature.
2. Stainless steel aircraft cable (field cut to length)
3. Clear jacket electrical cord (field cut to length)
4. 3000K 90+ CRI LED uplight module, 1278 source lumens; other color temperatures available upon request
5. Nickel plated clutch cable grip with safety nut
6. LED capsule containing 3x 3000K 90+ CRI downlight modules, 3836 total source lumens; other color temperatures available upon request
7. Opal white high-impact copolymer inner diffusion
8. Carnegie Xorel knit fabric over padded natural fiber core
9. Opal white high-impact copolymer bottom diffusion disk
10. Painted, cork, or fabric shade liner
11. Aluminum shade armature, painted or matte finished. Painted arms will be color matched to the painted shade liner, unless specified otherwise. Fabric and cork liners will be paired with matte finished support arms: Natural Matte finish for cool/bright fabric schemes, and Warm Matte finish for warm fabric schemes. Variations by request.
12. White retaining tabs



Type:	Quantity:
Approval Signature:	
Specifier:	
Date:	
<p><b>Marcel 32</b>                  Color Liner                  Model MM32O, MM32L                  Knit Liner                  Model MM32OK, MM32LK                  Cork Liner                  Model MM32OC, MM32LC</p> <p>39 Watts, 1% Dimming</p>	
<p><b>Driver configurations:</b></p> <p><input type="checkbox"/> 0-10V dimming, universal voltage</p> <p><input type="checkbox"/> Lutron EcoSystem dimming, universal voltage</p> <p><input type="checkbox"/> Lutron 2-Wire phase control dimming, 120 volts</p>	
<p><b>Fabric selection:</b></p> <p><input type="text"/></p> <p><input type="checkbox"/> Face pattern</p> <p><input type="checkbox"/> Reverse pattern</p>	
<p><b>Shade liner selection:</b></p> <p><input type="checkbox"/> Color</p> <p><input type="checkbox"/> White      <input type="checkbox"/> Orange</p> <p><input type="checkbox"/> Yellow      <input type="checkbox"/> Red</p> <p><input type="checkbox"/> Light Blue    <input type="checkbox"/> Mustard</p> <p><input type="checkbox"/> Cork</p>	
2.9.22	
<p><b>RESOLUTE</b></p> <p>4617 Colorado Ave. S, Unit A                  Seattle, WA 98134                  T 206.343.9323                  info@resoluteusa.com</p>	