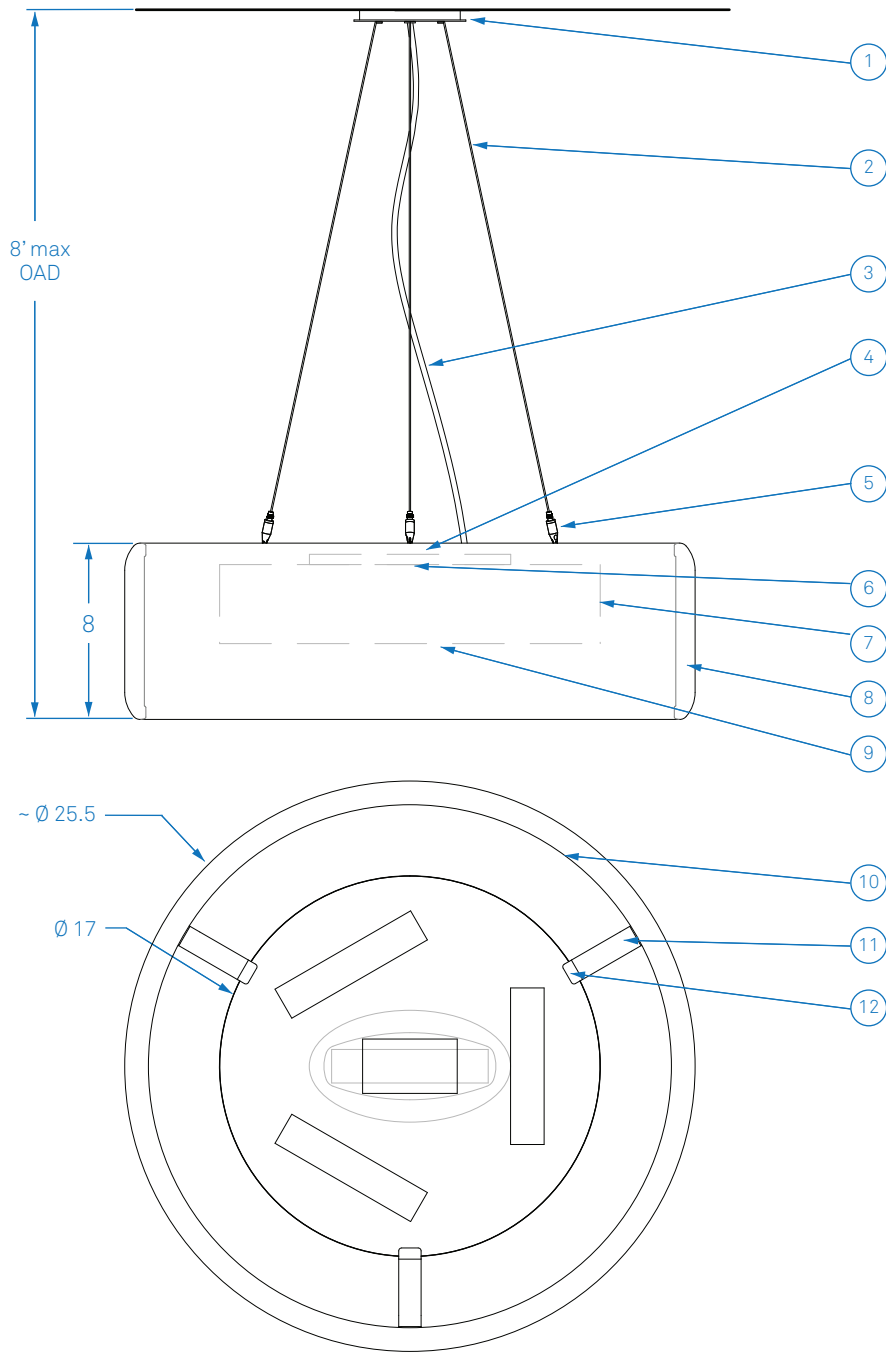
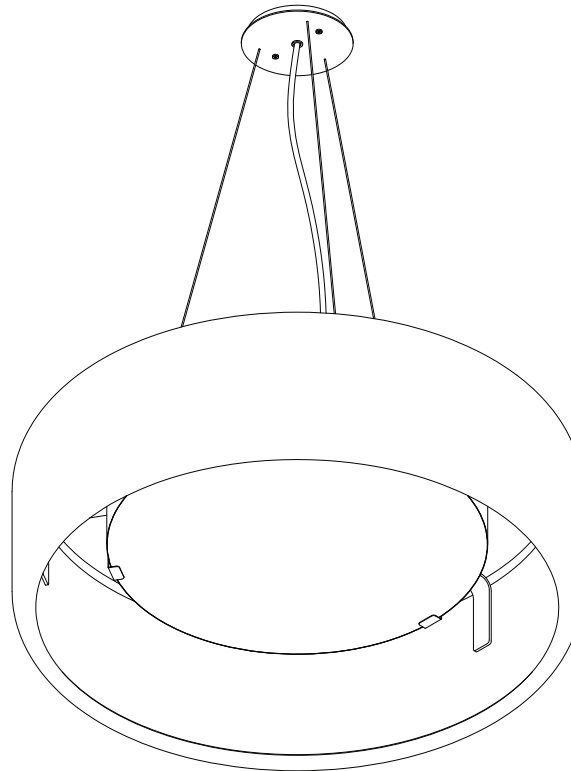


ALL DIMENSIONS IN INCHES



NOTES

1. Matte silver powder coated \varnothing 4.5" canopy and \varnothing 5" faceplate
2. Stainless steel aircraft cable (field cut to length)
3. Clear jacket electrical cord (field cut to length)
4. 3000K LED uplight module, 1307 source lumens, other color temperatures available upon request
5. Nickel plated clutch cable grip with safety nut
6. 3x 3000K LED downlight modules, 3921 source lumens, other color temperatures available upon request
7. Side diffusion: opal white high-impact copolymer
8. Carnegie Xorel knit fabric over padded natural fiber core
9. Bottom diffusion: opal white high-impact copolymer
10. Painted shade liner
11. Aluminum shade armature, finish to match shade liner
12. Matte White diffusion disk retaining tabs



Type:	Quantity:
Approval Signature:	
Name:	
Specifier:	
Date:	
<p>MARCEL 25 Color Liner Model MM250, MM25L 32 Watts, 1% Dimming</p>	
<p>Driver Configurations:</p> <p><input type="checkbox"/> Lutron EcoSystem dimming, universal voltage</p> <p><input type="checkbox"/> 0-10V dimming, universal voltage</p> <p><input type="checkbox"/> Lutron 2-wire phase control dimming, 120 volts</p>	
<p>Fabric Selection:</p> <div style="border: 1px solid black; height: 30px; width: 100%;"></div>	
<p>Shade liner:</p> <p><input type="checkbox"/> White <input type="checkbox"/> Orange</p> <p><input type="checkbox"/> Yellow <input type="checkbox"/> Red</p> <p><input type="checkbox"/> Light Blue <input type="checkbox"/> Mustard</p> <p>Custom Color By Request</p> <div style="border: 1px solid black; height: 30px; width: 100%;"></div>	
9.8.20	
<p>RESOLUTE</p> <p>4617 Colorado Ave. S, Unit A Seattle, WA 98134 T 206.343.9323 info@resoluteusa.com</p>	