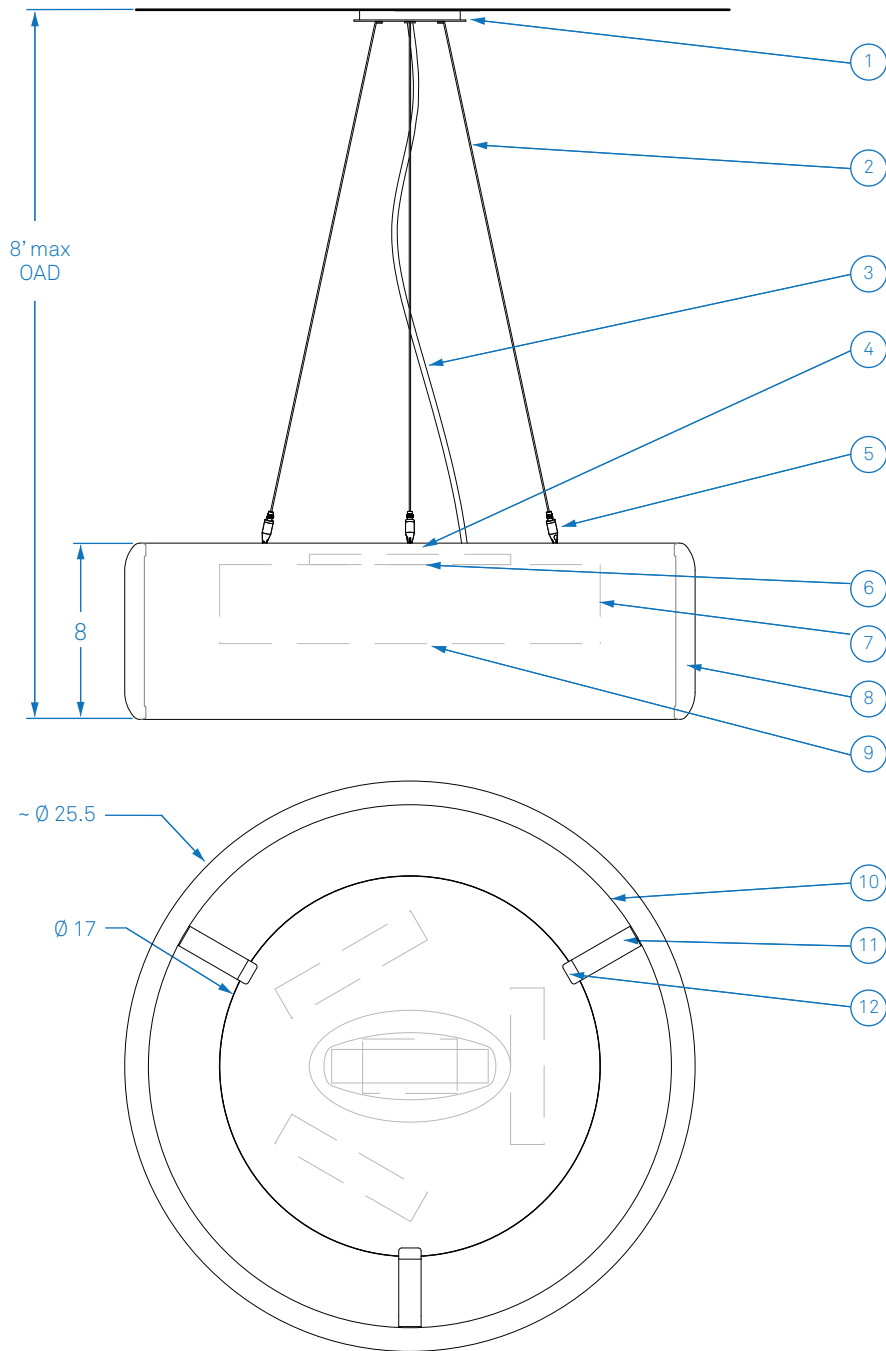
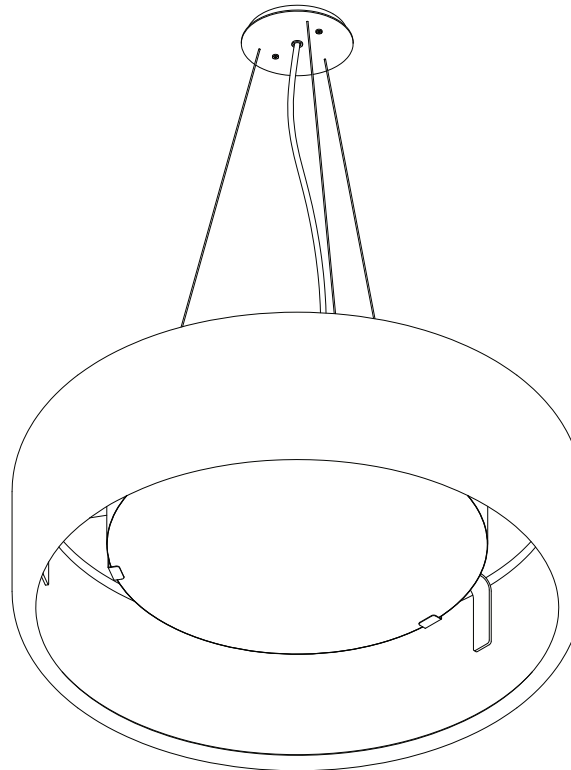


ALL DIMENSIONS IN INCHES



NOTES

1. Matte silver powder coated Ø 4.5" canopy
2. Warm Matte or Natural Matte Ø 5" faceplate
3. Stainless steel aircraft cable (field cut to length)
4. Clear jacket electrical cord (field cut to length)
5. Nickel plated clutch cable grip with safety nut
6. 3000K LED uplight module, 1307 source lumens, other color temperatures available upon request
7. 3x 3000K LED downlight modules, 3921 source lumens, other color temperatures available upon request
8. Side diffusion: opal white high-impact copolymer
9. Carnegie Xorel knit fabric over padded natural fiber core
10. Bottom diffusion: opal white high-impact copolymer
11. Cork shade liner
12. Aluminum shade armature, finish to match faceplate
13. Matte White diffusion disk retaining tabs



Type:	Quantity:
Approval Signature:	
Name:	
Specifier:	
Date:	
<p>MARCEL 25 Cork Liner Model MM25OC, MM25LC 32 Watts, 1% Dimming</p>	
<p>Driver Configurations:</p> <p><input type="checkbox"/> Lutron EcoSystem dimming, universal voltage</p> <p><input type="checkbox"/> 0-10V dimming, universal voltage</p> <p><input type="checkbox"/> Lutron 2-wire phase control dimming, 120 volts</p>	
<p>Fabric Selection:</p> <div style="border: 1px solid black; height: 20px; width: 100%;"></div>	
<p>Faceplate Finish</p> <p><input type="checkbox"/> Warm Matte</p> <p><input type="checkbox"/> Natural Matte</p>	
9.8.20	
<p>RESOLUTE</p> <p>4617 Colorado Ave. S, Unit A Seattle, WA 98134 T 206.343.9323 info@resoluteusa.com</p>	