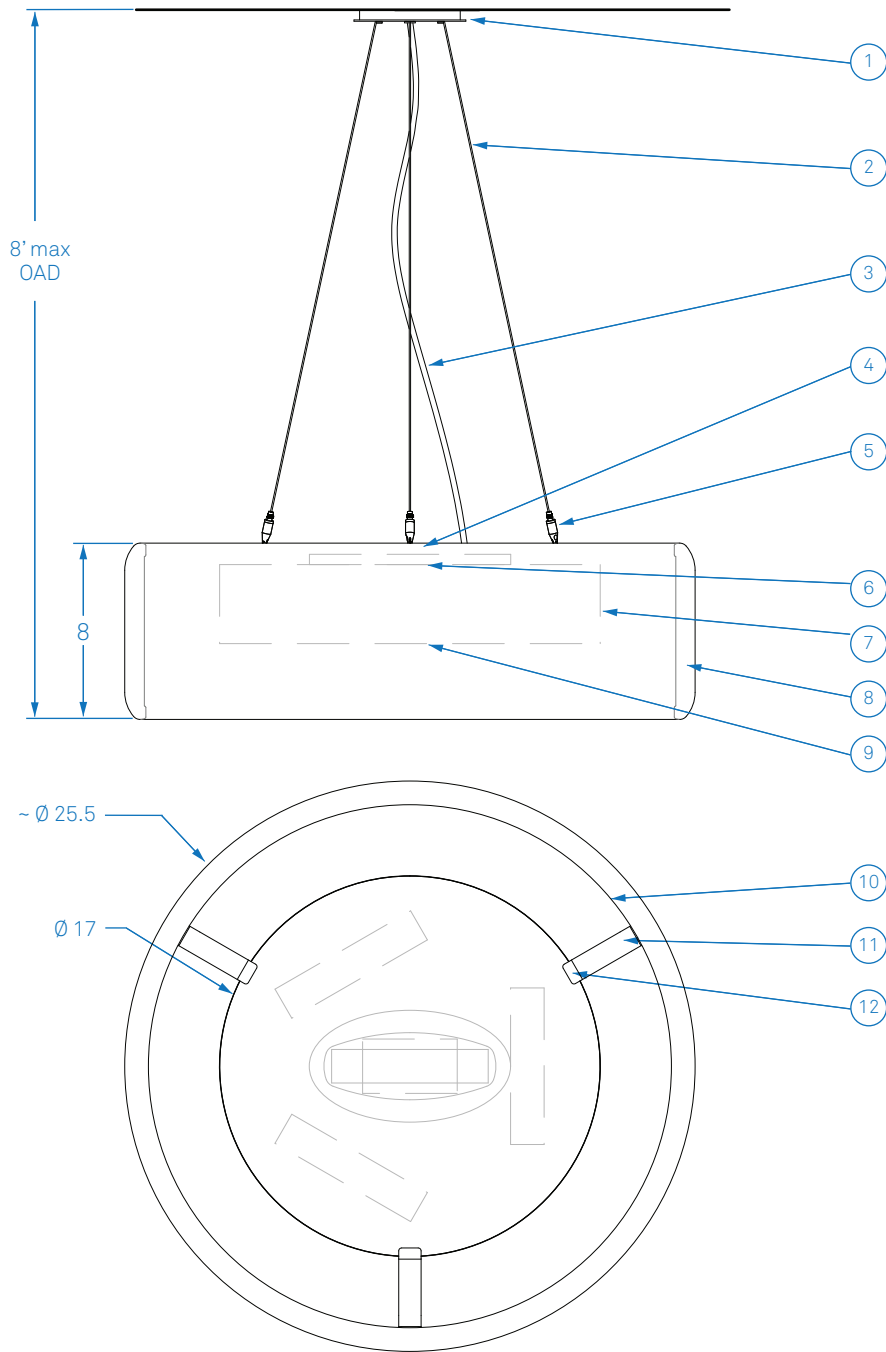
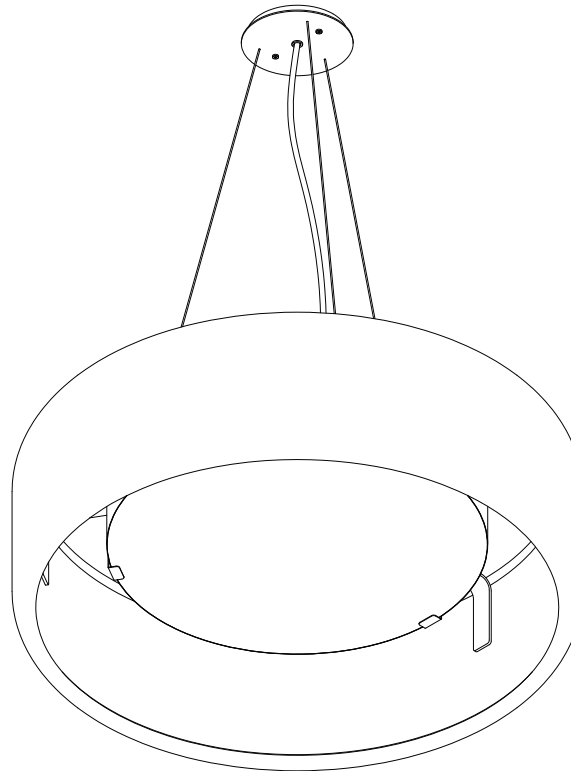


ALL DIMENSIONS IN INCHES



NOTES

1. Matte silver powder coated Ø 4.5" canopy
2. Warm Matte or Natural Matte Ø 5" faceplate
3. Stainless steel aircraft cable (field cut to length)
4. Clear jacket electrical cord (field cut to length)
5. 3000K LED uplight module, 1307 source lumens, other color temperatures available upon request
6. Nickel plated clutch cable grip with safety nut
7. 3x 3000K LED downlight modules, 3921 source lumens, other color temperatures available upon request
8. Side diffusion: opal white high-impact copolymer
9. Carnegie Xorel knit fabric over padded natural fiber core
10. Knit shade liner
11. Bottom diffusion: opal white high-impact copolymer
12. Knit shade liner
13. Aluminum shade armature, finish to match faceplate
14. Matte White diffusion disk retaining tabs



Type:	Quantity:
Approval Signature:	
Name:	
Specifier:	
Date:	
MARCEL 25 Knit Liner Model MM25OK, MM25LK 32 Watts, 1% Dimming	
Driver Configurations: <input type="checkbox"/> Lutron EcoSystem dimming, universal voltage <input type="checkbox"/> 0-10V dimming, universal voltage <input type="checkbox"/> Lutron 2-wire phase control dimming, 120 volts	
Fabric Selection: <input type="checkbox"/> Face pattern <input type="checkbox"/> Reverse pattern <div style="border: 1px solid black; height: 20px; width: 100%;"></div>	
Shade liner: <input type="checkbox"/> Knit face pattern <input type="checkbox"/> Knit reverse pattern	
Faceplate Finish <input type="checkbox"/> Warm Matte <input type="checkbox"/> Natural Matte	
9.8.20	
<h1>RESOLUTE</h1> <p>4617 Colorado Ave. S, Unit A Seattle, WA 98134 T 206.343.9323 info@resoluteusa.com</p>	