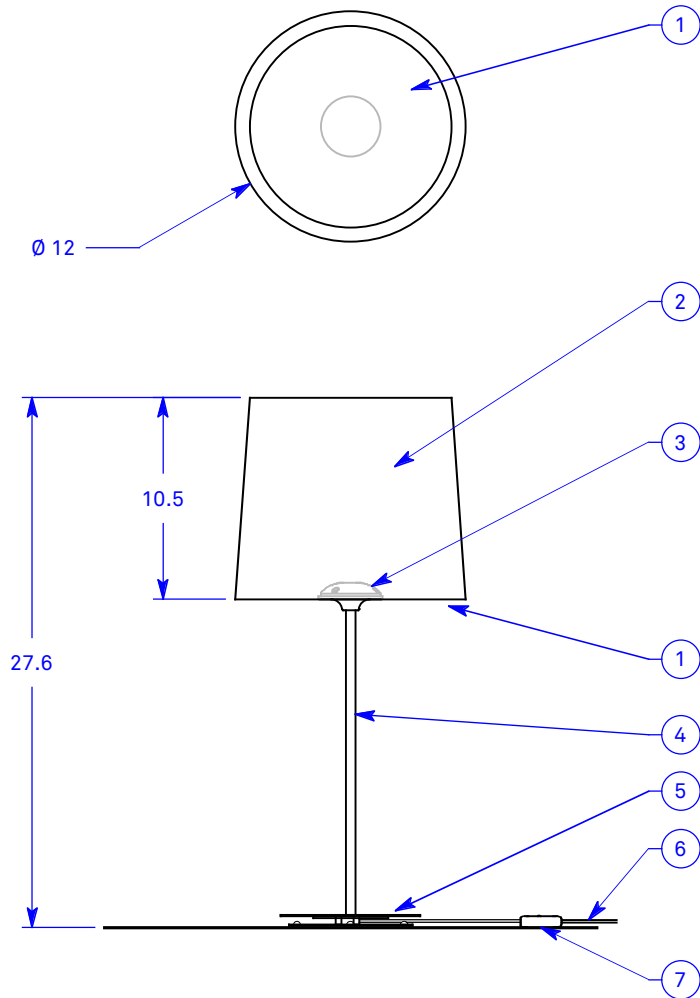


ALL DIMENSIONS IN INCHES



NOTES:

1. Satin clear high-impact copolymer top and bottom diffusion disk
2. Fully enclosed Carnegie Xorel fabric shade with opal white high-impact copolymer sheet
3. 3000K 90+ CRI LED module, source 863 lumens
4. Ø 0.5" powder coated stem
5. Ø 7.25" powder coated faceplate
6. Clear jacket electrical cord and plug
7. ON/OFF switch



Type:	Quantity:
Approval Signature:	
Specifier:	
Date:	
<p>Prosperity 12 Table Model NPN12ST 10 Watt LED TRIAC/ELV 10% Dimming 120V</p>	
<p>Dimming option: <input type="checkbox"/> Casambi wireless</p>	
<p>Hardware finish: <input type="checkbox"/> Matte silver <input type="checkbox"/> Bronze</p>	
<p>Xorel fabric selection:</p> <div style="border: 1px solid black; height: 20px; width: 100%;"></div>	
Date: 3.7.22	
<p>RESOLUTE</p> <p>4617 Colorado Ave. S, Unit A Seattle, WA 98134 T 206.343.9323 info@resoluteusa.com</p>	