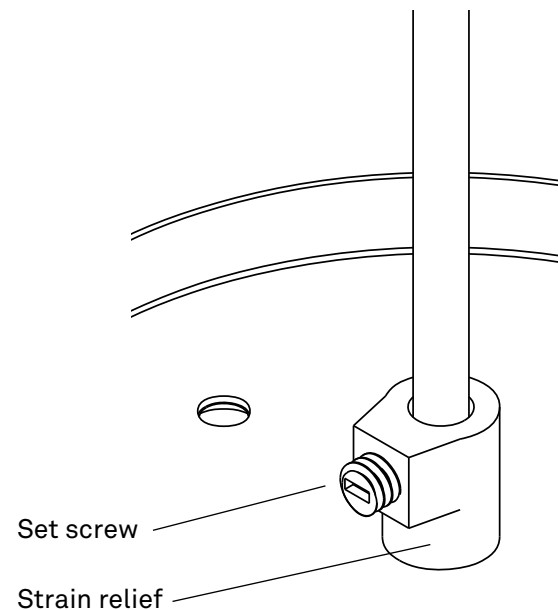
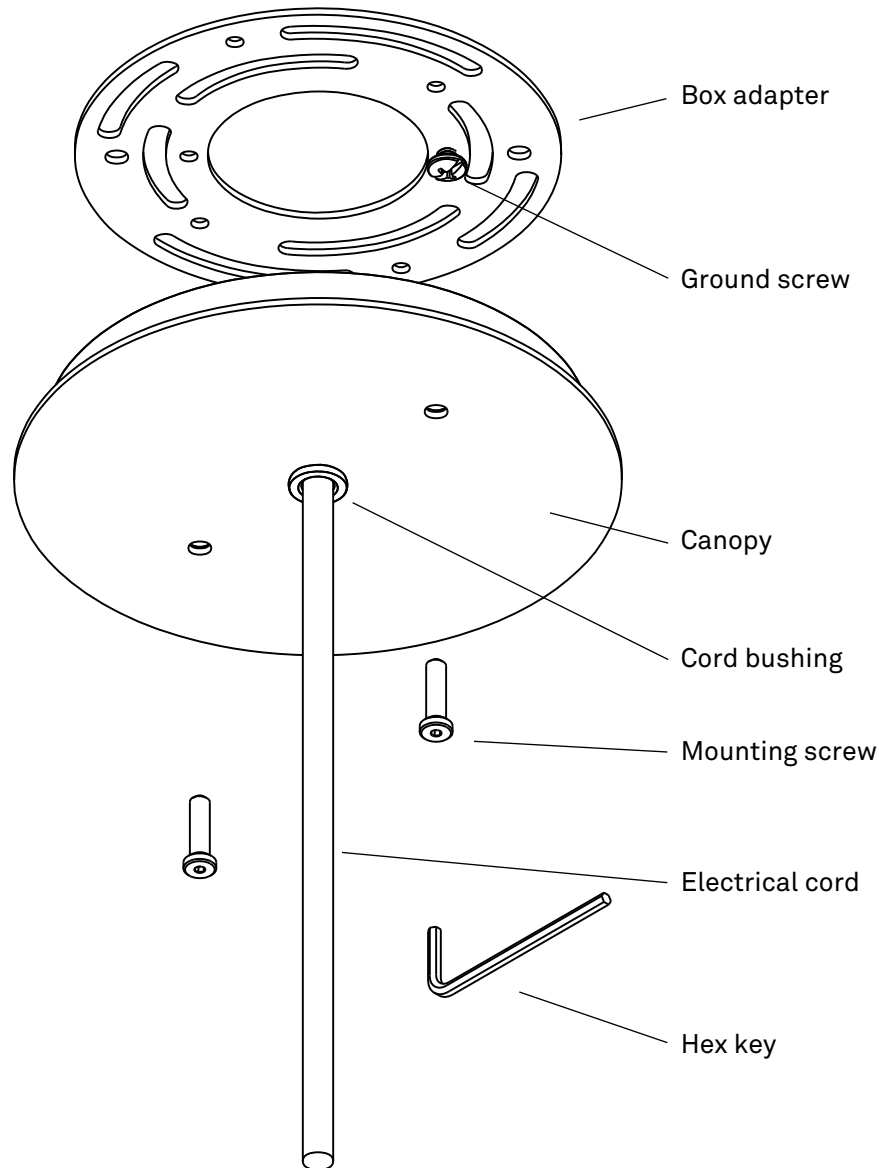


ASSEMBLY INSTRUCTIONS

STANDARD PENDANT

DANGER - RISK OF SHOCK - DISCONNECT POWER BEFORE INSTALLATION

1. Determine drop length. Measure, trim and strip electrical cord to the appropriate length.
2. Attach box adapter to the junction box.
3. Feed cord through cord bushing and strain relief (with set screw backed out for clearance) in canopy assembly.
4. Make electrical connections per wiring diagram.
5. Tighten set screw in the strain relief to secure electrical cord when desired drop length has been achieved.
6. Affix canopy to the junction box/box adapter assembly with the two mounting screws provided.



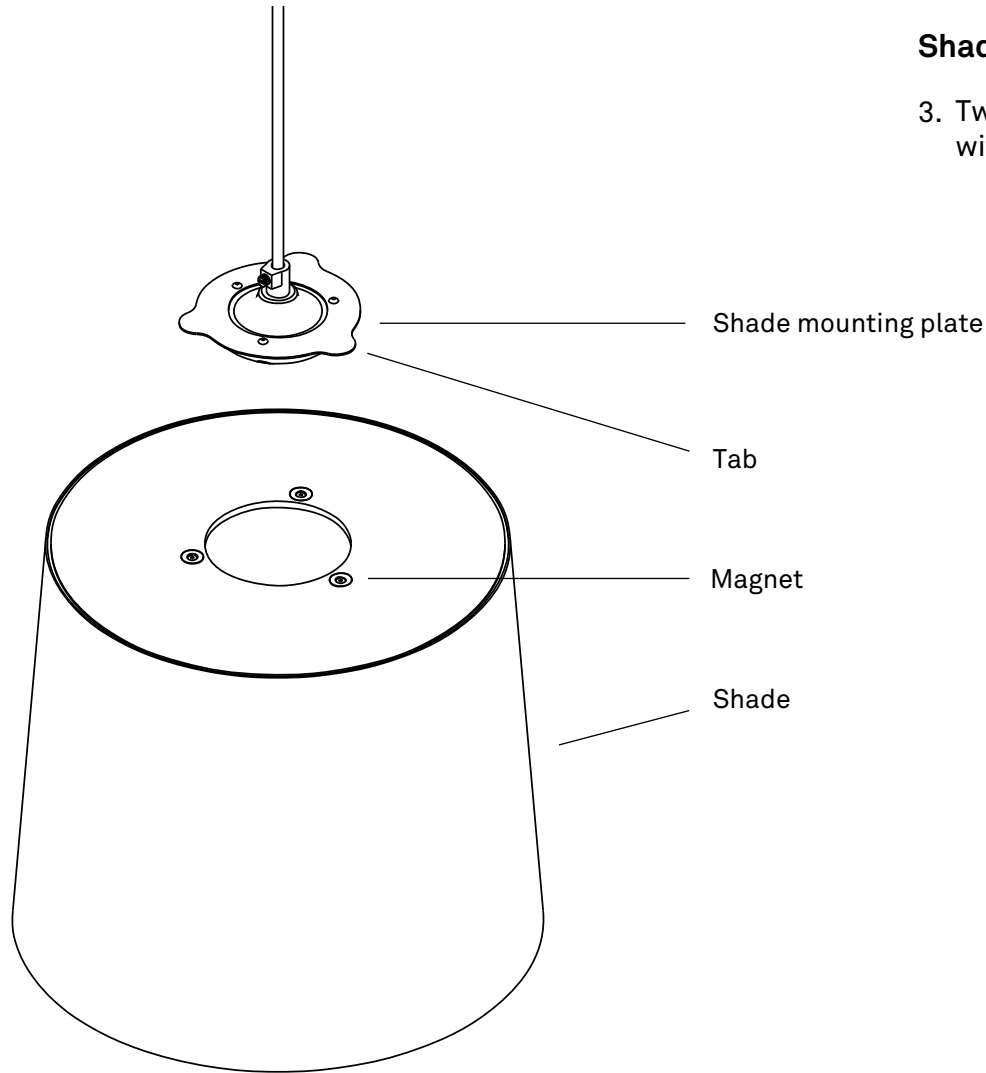
RESOLUTE

RESOLUTE is a registered trademark of
MANIFESTO Corporation, Seattle WA
www.resoluteonline.com info@resoluteusa.com



ASSEMBLY INSTRUCTIONS

PROSPERITY 12/16 PENDANT



Shade assembly

1. Raise shade to shade mounting plate so that shade mounting plate sits snugly against top of shade.
2. Rotate shade so that the shade attachment magnets are positioned directly behind the tabs on the shade mounting plate.

Shade removal for cleaning

3. Twist the shade gently so that magnets are no longer aligned with the shade mounting plate tabs and remove shade.

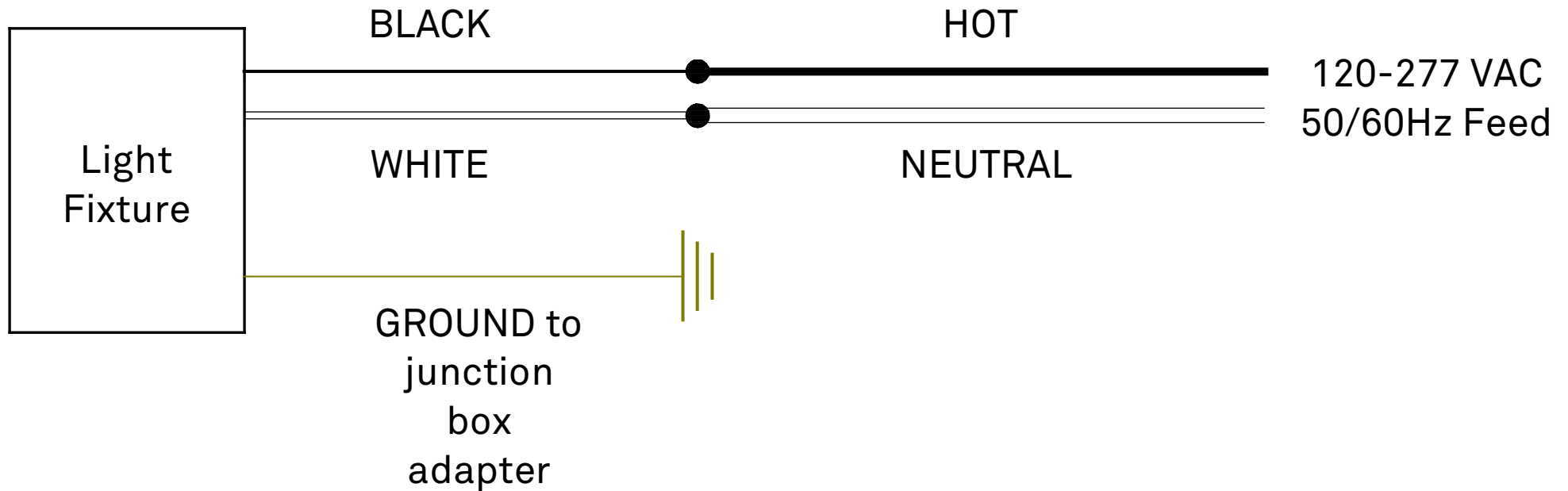
RESOLUTE

RESOLUTE is a registered trademark of
MANIFESTO Corporation, Seattle WA
www.resoluteonline.com info@resoluteusa.com



WIRING DIAGRAM

TRIAC/ELV 10% Dimming (120V only)



RESOLUTE

RESOLUTE is a registered trademark of
MANIFESTO Corporation, Seattle WA
www.resoluteonline.com info@resoluteusa.com

