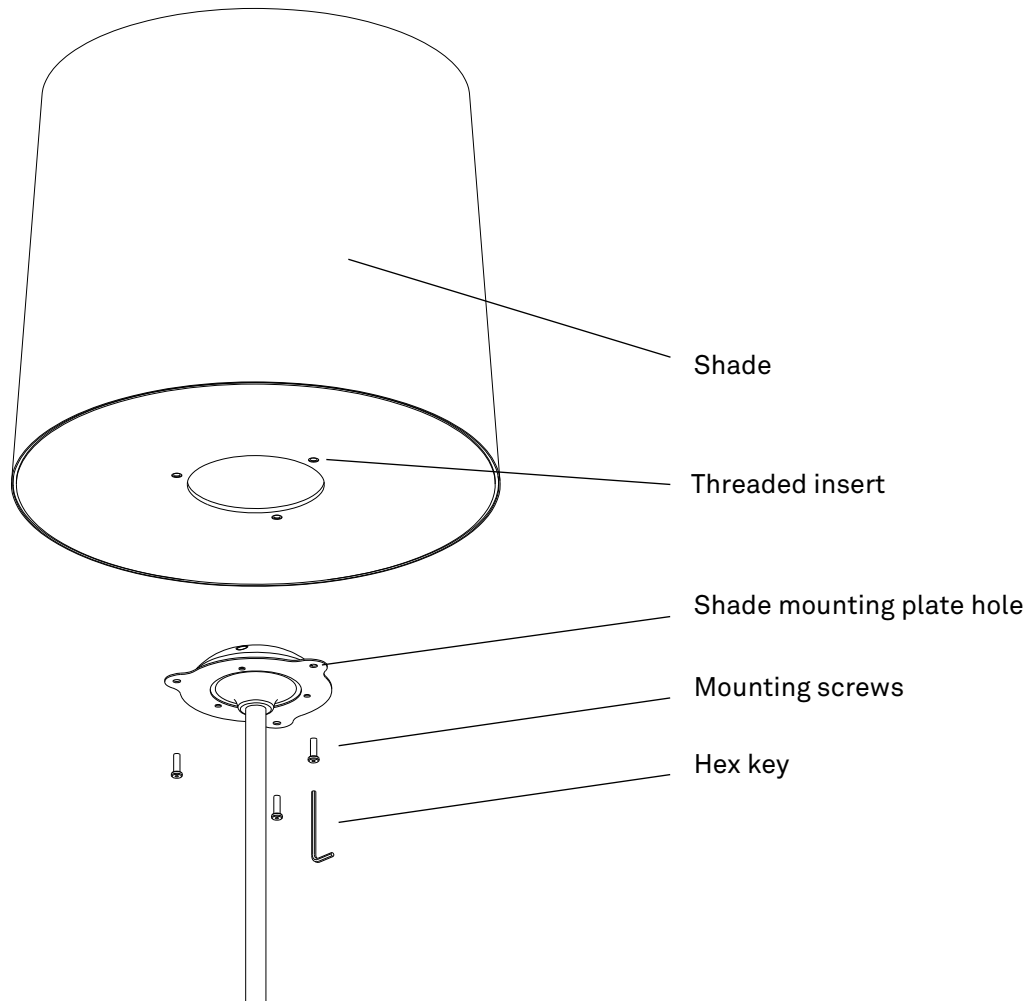


ASSEMBLY INSTRUCTIONS

PROSPERITY TABLE/FLOOR

Shade assembly

1. Lower the shade onto the mounting plate.
2. Rotate shade to align mounting plate holes with threaded inserts.
3. Thread mounting screws into threaded inserts and tighten with hex key.



RESOLUTE

RESOLUTE is a registered trademark of
MANIFESTO Corporation, Seattle WA
www.resoluteonline.com info@resoluteusa.com



ASSEMBLY INSTRUCTIONS

SMITH/PROSPERITY FLOOR

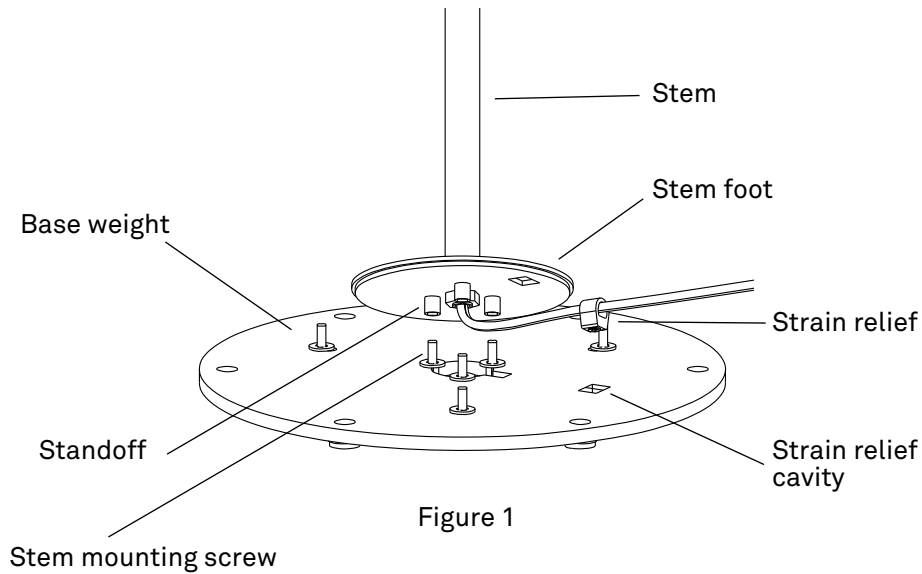


Figure 1

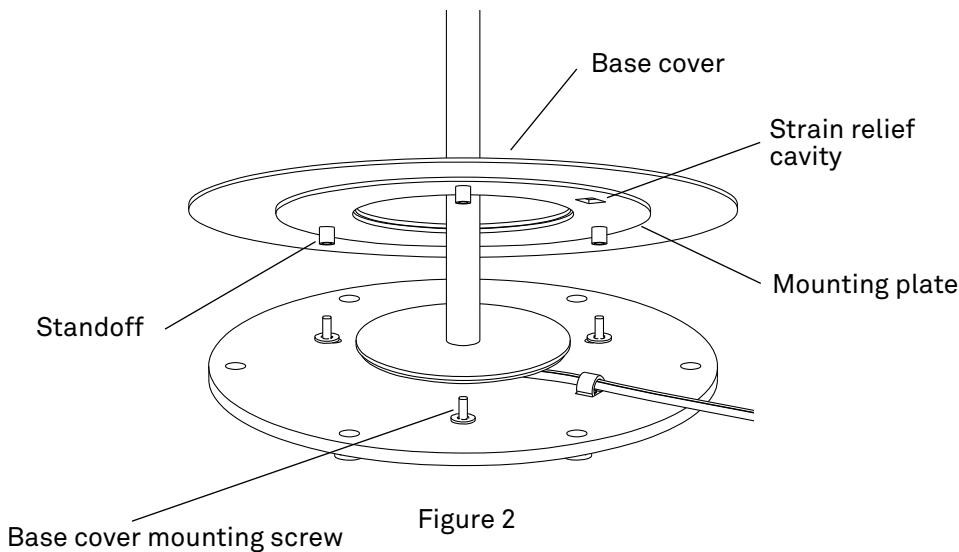


Figure 2

Base assembly

1. Remove the base cover from the base weight by unscrewing the three base cover mounting screws. Slip the stem foot through the hole in the base cover so the mounting plate faces down. Tape the base cover to the stem part way up using masking tape.
2. Thread the stem mounting screws into the standoffs on the stem foot. Make sure the power cord exits according to Figure 1. The long nose of the strain relief must face down, and align with the strain relief cavity in the base weight.
3. With the cord flat, and the nose of the strain relief in the strain relief cavity, lower the base cover and thread the base cover mounting screws into the standoffs on the mounting plate such that the strain relief cavity in the mounting plate aligns with the heel of the strain relief (Figure 2).
4. Gently lay the stem of the fixture on a flat surface such as a table top (Figure 3). It is important the edge of the base cover does not bear the weight of the fixture. Tighten the three stem mounting screws, followed by the three base cover mounting screws, with the provided hex key.

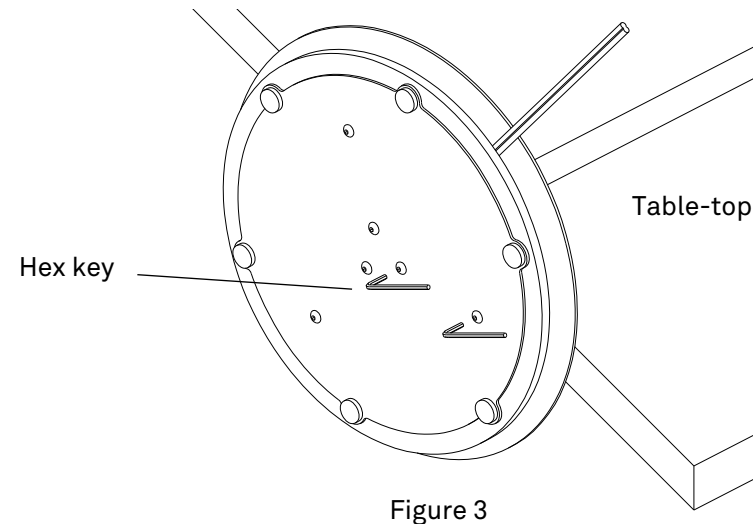


Figure 3

RESOLUTE

RESOLUTE is a registered trademark of
MANIFESTO Corporation, Seattle WA
www.resoluteonline.com info@resoluteusa.com

