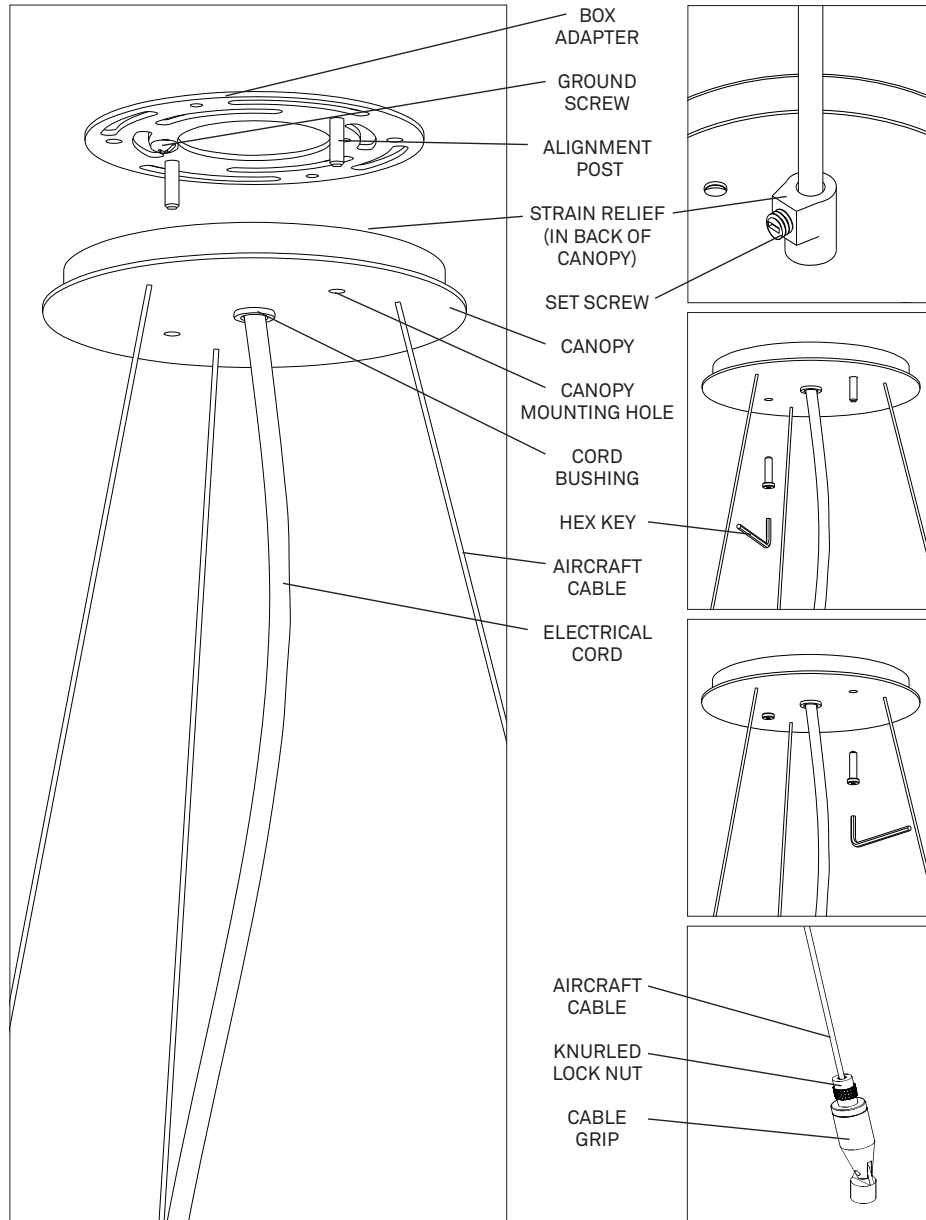


# ASSEMBLY INSTRUCTIONS

## 3 CABLE PENDANT

**DANGER – RISK OF SHOCK – DISCONNECT POWER BEFORE INSTALLATION**



1. Determine the drop of the fixture. Trim electrical cord to the appropriate length. Allow for some slack in the cord. It should not be pulled tight. Allow 6" of additional cord/leads inside the j-box.
2. When the appropriate length of electrical cord has been determined, gently tighten the set screw on the strain relief on the inside face of the canopy allowing 6" of leads as noted above. Make the electrical connections in the j-box with the weight of the fixture supported.

**REFERENCE THE WIRING DIAGRAM THAT MATCHES THE TYPE OF DRIVER INSTALLED IN THE FIXTURE**

3. The j-box adapter will be shipped with locating studs threaded into it. The canopy assembly will be shipped with aircraft cables in place. Slip the canopy assembly over the locating studs. One after the other, unthread the locating studs and replace them with mounting screws.

**BE CAREFUL THAT SUPPORT CABLES DO NOT CROSS EACH OTHER (GET TANGLED).**

4. Loosen knurled lock nuts on the cable grips. Push the lock nut in to release, and feed the aircraft cables through the cable grip. Adjust shade to level and trim excess aircraft cable. Tighten knurled lock nuts.

# RESOLUTE

RESOLUTE is a registered trademark of  
MANIFESTO Corporation, Seattle WA  
[www.resoluteonline.com](http://www.resoluteonline.com) [info@resoluteusa.com](mailto:info@resoluteusa.com)

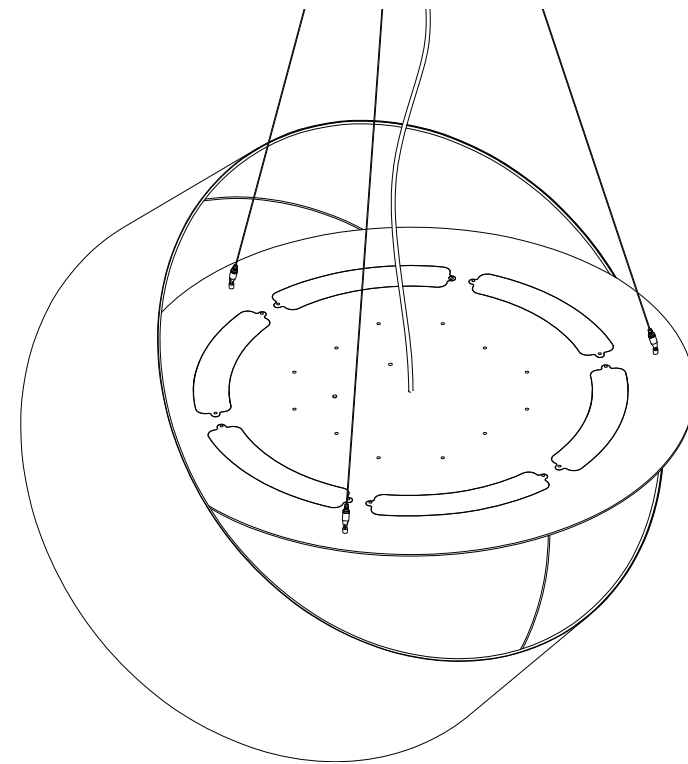
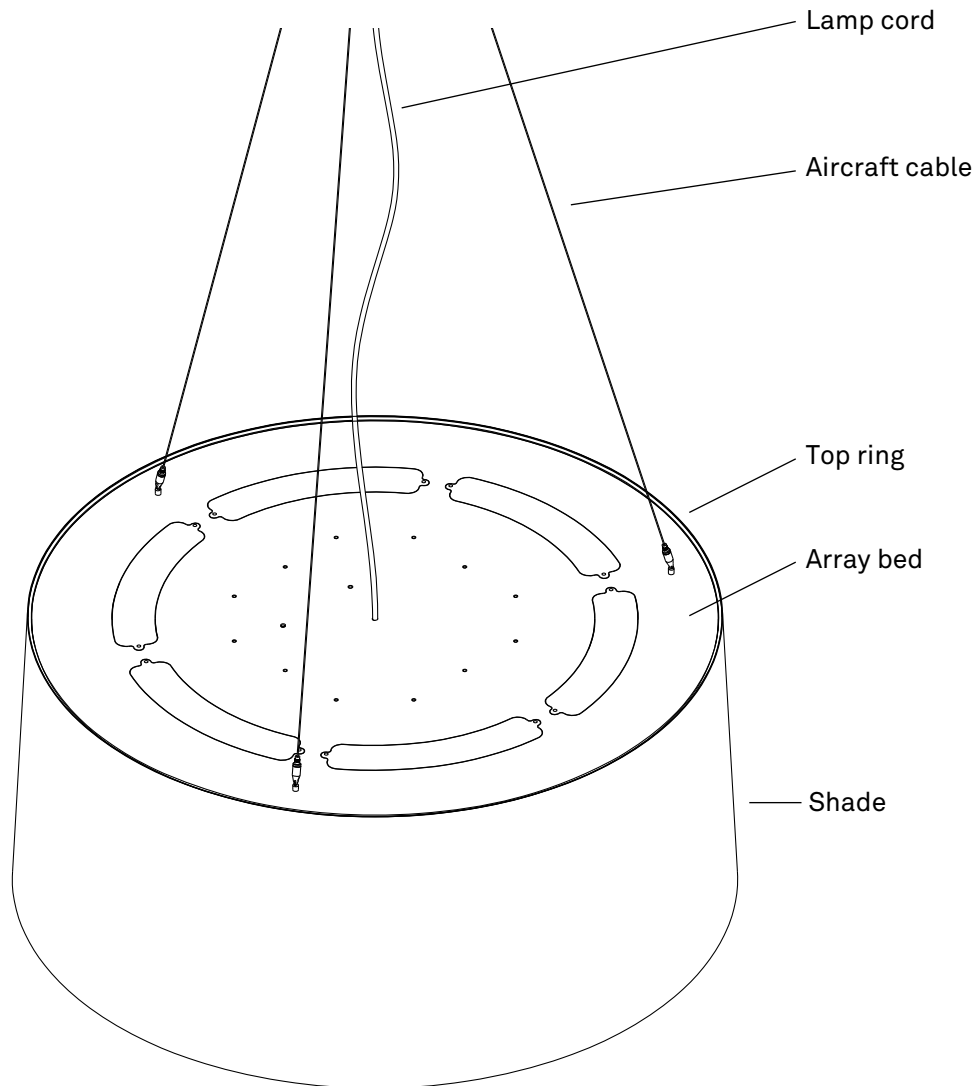


# ASSEMBLY INSTRUCTIONS

## PROSPERITY 22/30/34 PENDANT

### Shade assembly

1. See cable pendant mounting instruction page for fixture installation.
2. Holding the shade at an angle, raise to the level of the array bed and carefully slide the shade up and over one side at a time. Lower the shade in place so the shade top ring fully rests on the perimeter of the array bed.



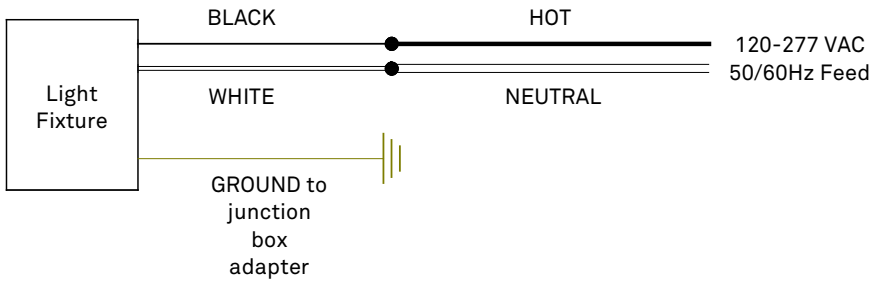
RESOLUTE

RESOLUTE is a registered trademark of  
MANIFESTO Corporation, Seattle WA  
[www.resoluteonline.com](http://www.resoluteonline.com) [info@resoluteusa.com](mailto:info@resoluteusa.com)

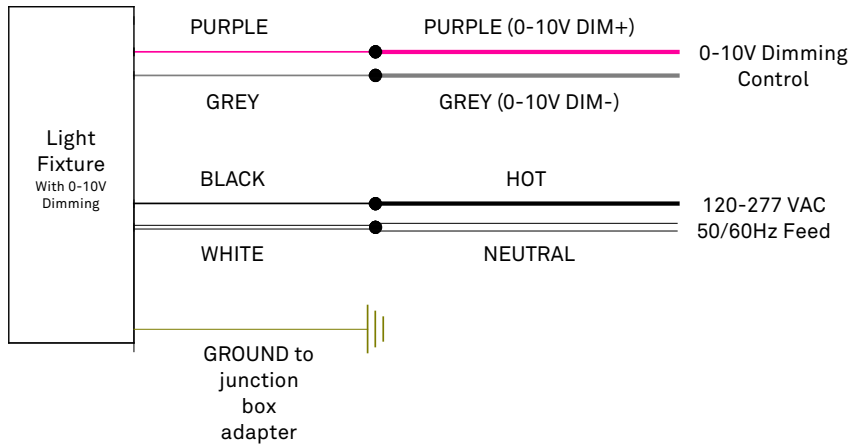


# WIRING DIAGRAMS

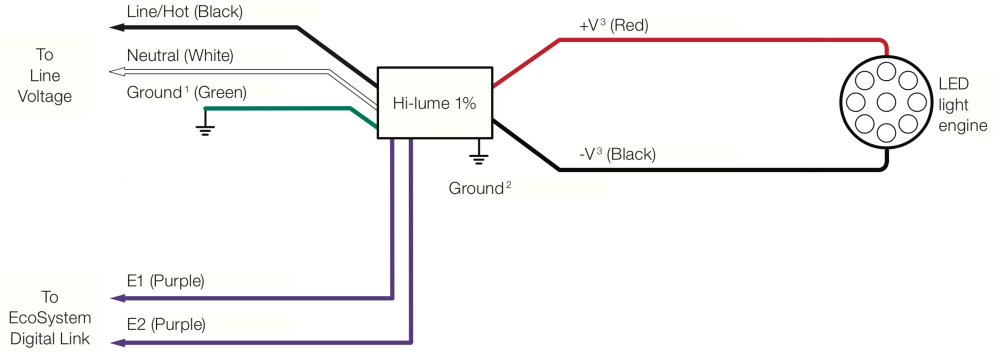
TRIAC/ELV 10% Dimming (120V only)



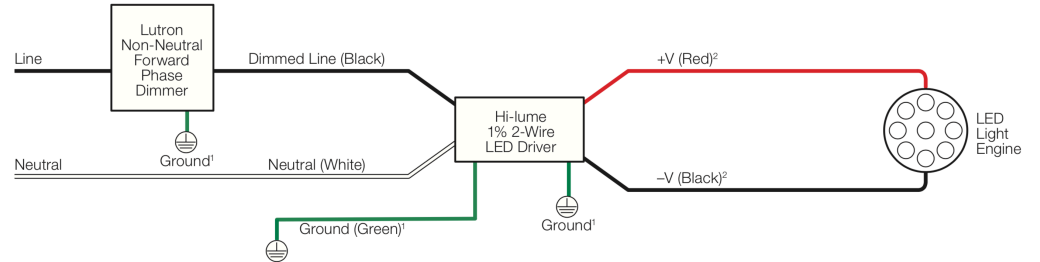
0-10v Dimming



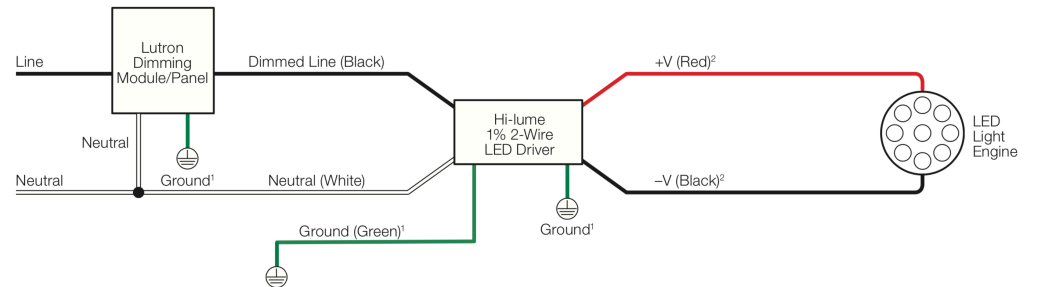
Wiring Diagram for EcoSystem Digital Control



Wiring Diagram



Wiring Diagram



RESOLUTE

RESOLUTE is a registered trademark of  
MANIFESTO Corporation, Seattle WA  
www.resoluteonline.com info@resoluteusa.com

