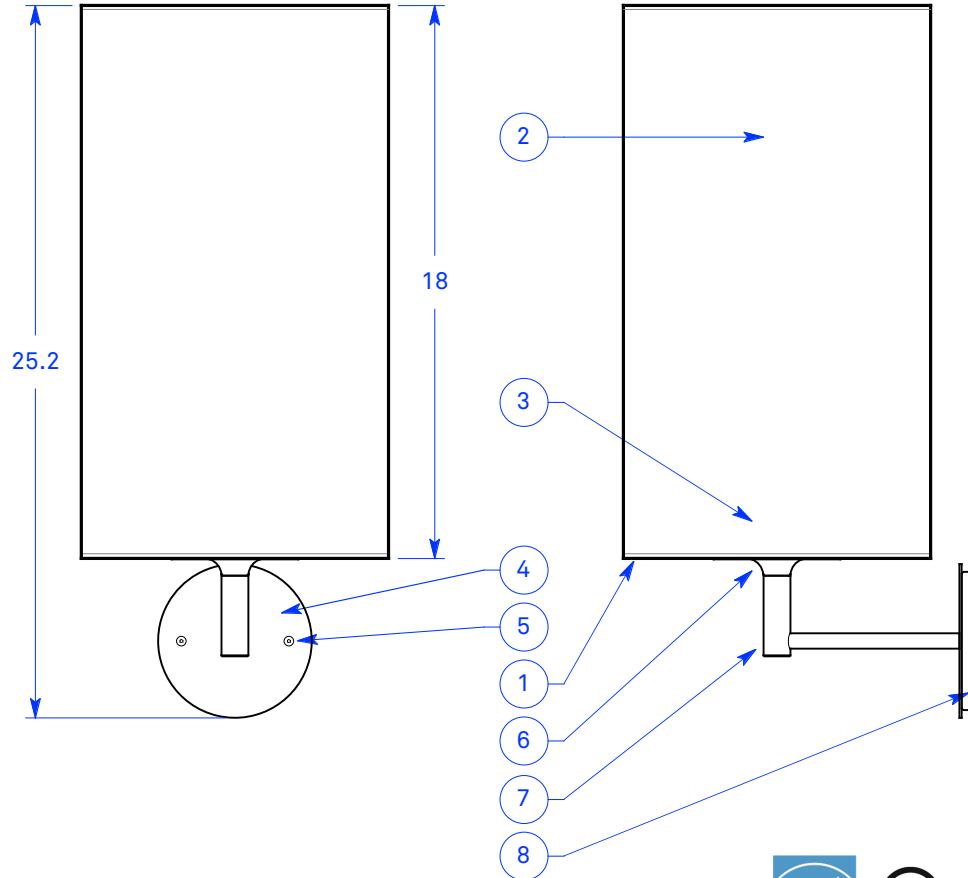
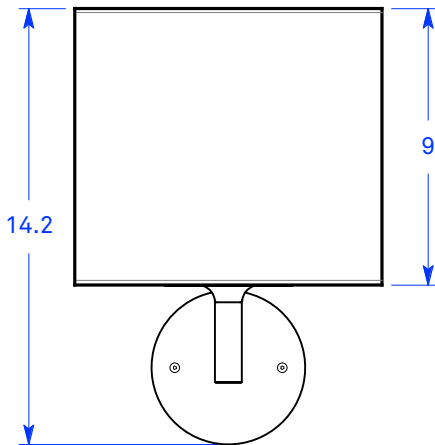
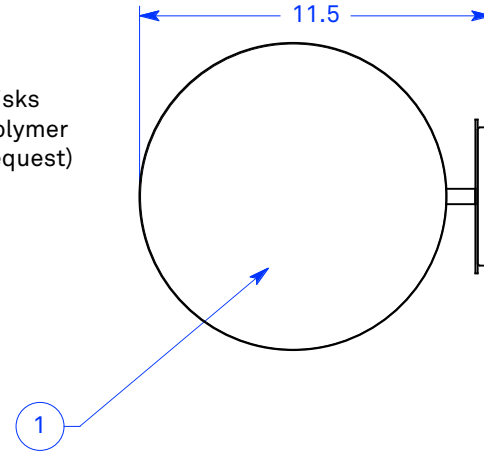
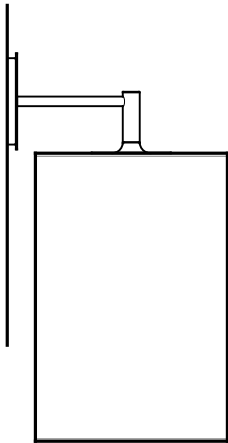


ALL DIMENSIONS IN INCHES

NOTES:

1. Satin clear high-impact copolymer top and bottom diffusion disks
2. Carnegie Xorel fabric backed with opal white high-impact copolymer
3. 955 lumen 2700K 80 CRI LED module (90 CRI available upon request)
4. Ø 5" powder coated faceplate
5. Fixture mounting hardware
6. Powder coated shade mounting hub for magnetically attached shade
7. Powder coated armature
8. Ø 4.5" powder coated steel canopy



Type: Quantity:

Approval signature:

Name:

Firm:

Date:

Puncheon 10 Wall
 10 Watt LED
 TRIAC/ELV 10% Dimming
 Universal voltage

- Configurations:**
- P109WS - Ø 10-9
 - P1018WS - Ø 10-18

- Finish options:**
- Silver
 - Bronze

Xorel fabric selection:

6.29.18

RESOLUTE
 4617 Colorado Ave. S, Unit A
 Seattle, WA 98134
 T 206.343.9323
 F 888.346.8079
 info@resoluteusa.com

