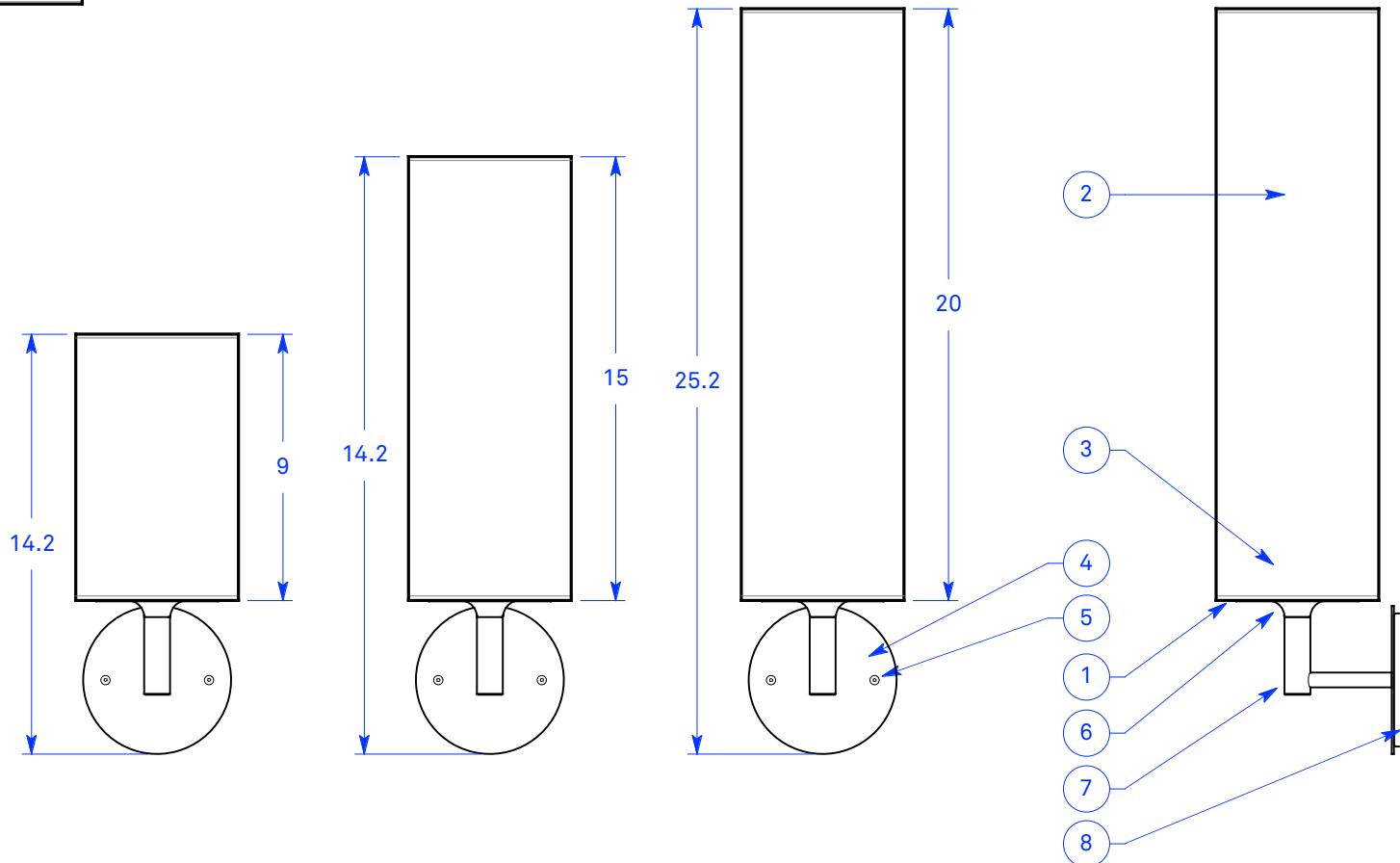
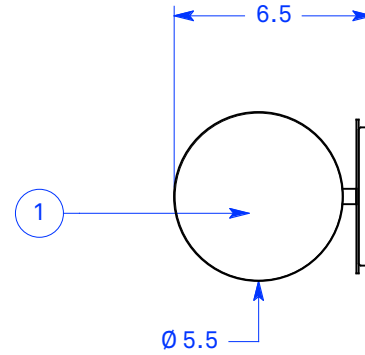
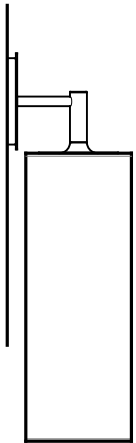


ALL DIMENSIONS IN INCHES

NOTES:

1. Satin clear high-impact copolymer top and bottom diffusion disks
2. Carnegie Xorel fabric backed with opal white high-impact copolymer
3. 955 lumen 2700K 80 CRI LED module (90 CRI available upon request)
4. Ø 5" powder coated faceplate
5. Fixture mounting hardware
6. Powder coated shade mounting hub for magnetically attached shade
7. Powder coated armature
8. Ø 4.5" powder coated steel canopy



Type: Quantity:

Approval signature:

Name:

Firm:

Date:

Puncheon 5.5 Wall
 10 Watt LED
 TRIAC/ELV 10% Dimming
 Universal voltage

Configurations:

- P59WS - Ø 5.5-9
- P515WS - Ø 5.5-15
- P520WS - Ø 5.5-20

Finish options:

- Silver
- Bronze

Xorel fabric selection:

6.29.18

RESOLUTE

4617 Colorado Ave. S, Unit A
 Seattle, WA 98134
 T 206.343.9323
 F 888.346.8079
 info@resoluteusa.com

