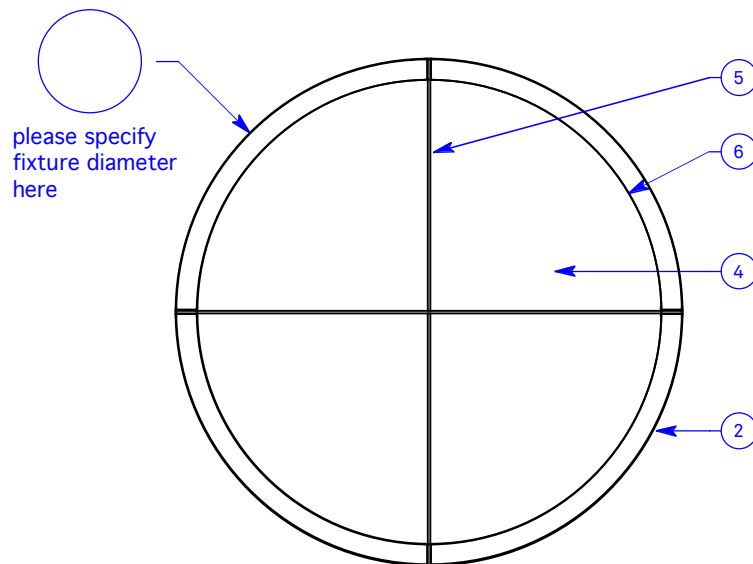
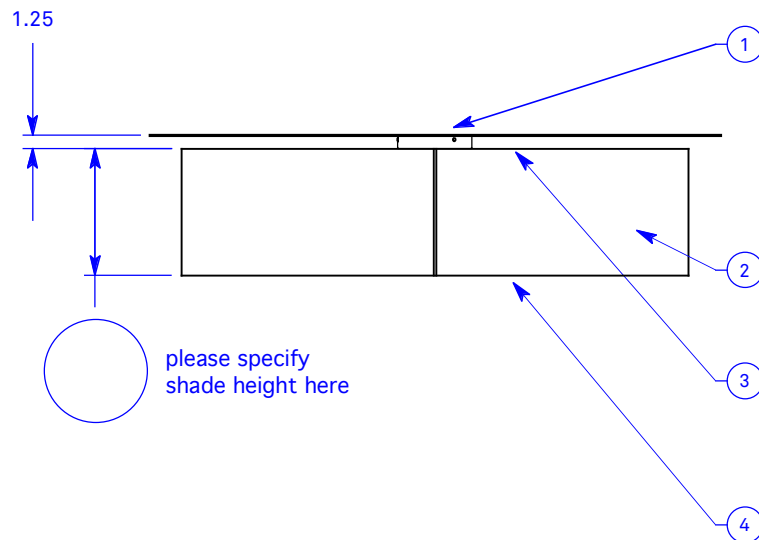


ALL DIMENSIONS IN INCHES



NOTES:

1. Powder coated \varnothing 7" x 1.25" deep canopy
2. Carnegie Xorel fabric outer shade backed with high-impact copolymer sheet
3. 8x 3000K 90+ CRI LED modules, total source lumens:
shade \varnothing 32/36": 10386lm
shade \varnothing 42/48/60": 11208lm
other color temperatures available upon request
4. Opal white fabric bottom diffusion disk
5. 1/4" thick powder coated aluminum armature
6. Frosted high-impact copolymer inner shade

Type:	Quantity:
Approval Signature:	
Specifier:	
Date:	
<h2>Savoy Ceiling</h2> <p>78 Watt LED, 1% Dimming</p>	
Dimming options: <input type="checkbox"/> 0-10V Universal voltage <input type="checkbox"/> Lutron EcoSystem Universal voltage <input type="checkbox"/> Lutron 2-Wire phase control 120V	
Fixture options: <input type="checkbox"/> Remote control - via Lutron PowPak <input type="checkbox"/> Sensor - Integrated motion & daylight combination sensor	
Hardware finish: <input type="checkbox"/> Matte silver <input type="checkbox"/> Bronze	
Xorel fabric selection: <div style="border: 1px solid black; height: 20px; width: 100%;"></div>	
Date: 10.1.21	
<h1>RESOLUTE</h1> <p>4617 Colorado Ave. S, Unit A Seattle, WA 98134 T 206.343.9323 info@resoluteusa.com</p>	

