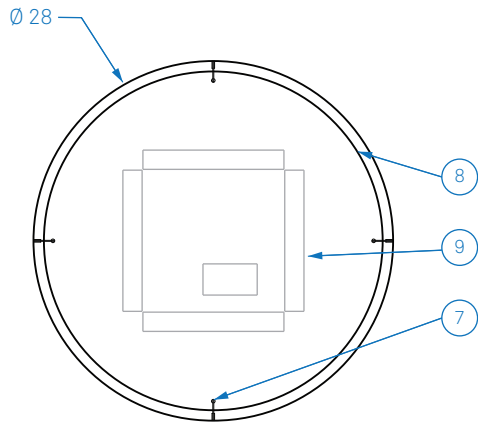
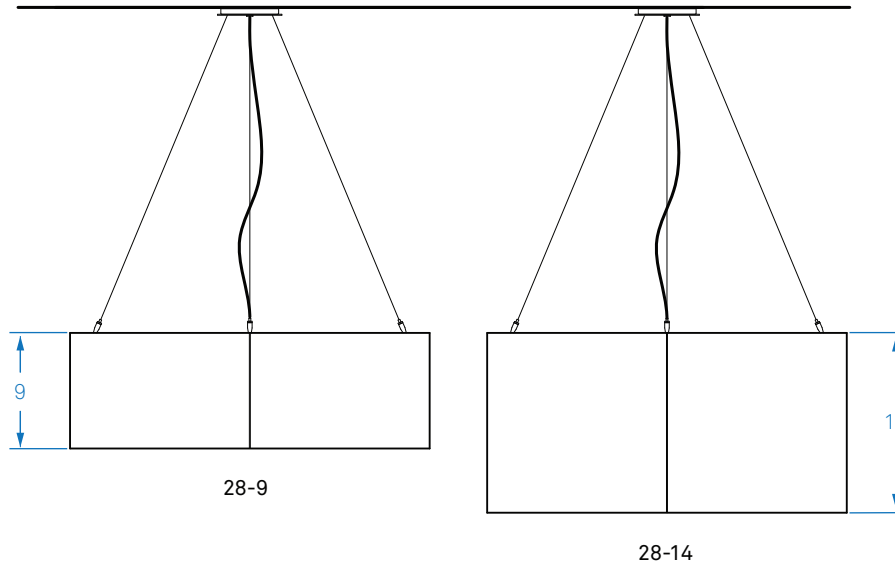
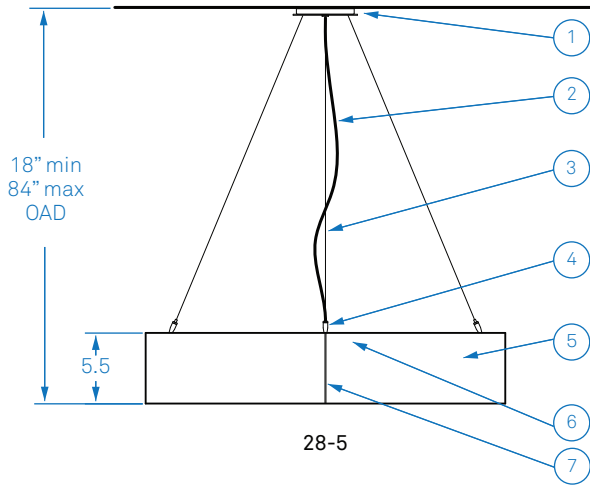


ALL DIMENSIONS IN INCHES



NOTES:

1. Powder coated Ø 4.5" canopy and Ø 5" faceplate
2. Clear jacket electrical cord (field cut to length)
3. Stainless steel aircraft cable (field cut to length)
4. Nickel plated clutch cable grip with safety nut
5. Carnegie Xorel fabric backed with high-impact copolymer sheet
6. 4x 3000K 90+ CRI LED downlight modules, 5604 total source lumens, other color temperatures available upon request
7. Powder coated spline, finish to match faceplate
8. Frosted high-impact copolymer inner diffuser
9. Opal white high-impact copolymer bottom diffusion disk

Type:	Quantity:
Approval Signature:	
Specifier:	
Date:	
<p>Smith 28 Pendant Model S28150, S2815L, S28190, S2819L, S281140, S28114L</p> <p>40 Watt LED, 1% Dimming</p>	
<p>Shade configurations:</p> <p><input type="checkbox"/> 28-5</p> <p><input type="checkbox"/> 28-9</p> <p><input type="checkbox"/> 28-14</p>	
<p>Driver configurations:</p> <p><input type="checkbox"/> 0-10V dimming, universal voltage</p> <p><input type="checkbox"/> Lutron EcoSystem dimming, universal voltage</p> <p><input type="checkbox"/> Lutron 2-Wire phase control dimming, 120 volts</p>	
<p>Hardware finish:</p> <p><input type="checkbox"/> Matte silver</p> <p><input type="checkbox"/> Bronze</p>	
<p>Xorel fabric selection:</p> <div style="border: 1px solid black; height: 20px; width: 100%;"></div>	
7.23.21	
<p>RESOLUTE</p> <p>4617 Colorado Ave. S, Unit A Seattle, WA 98134 T 206.343.9323 info@resoluteusa.com</p>	

