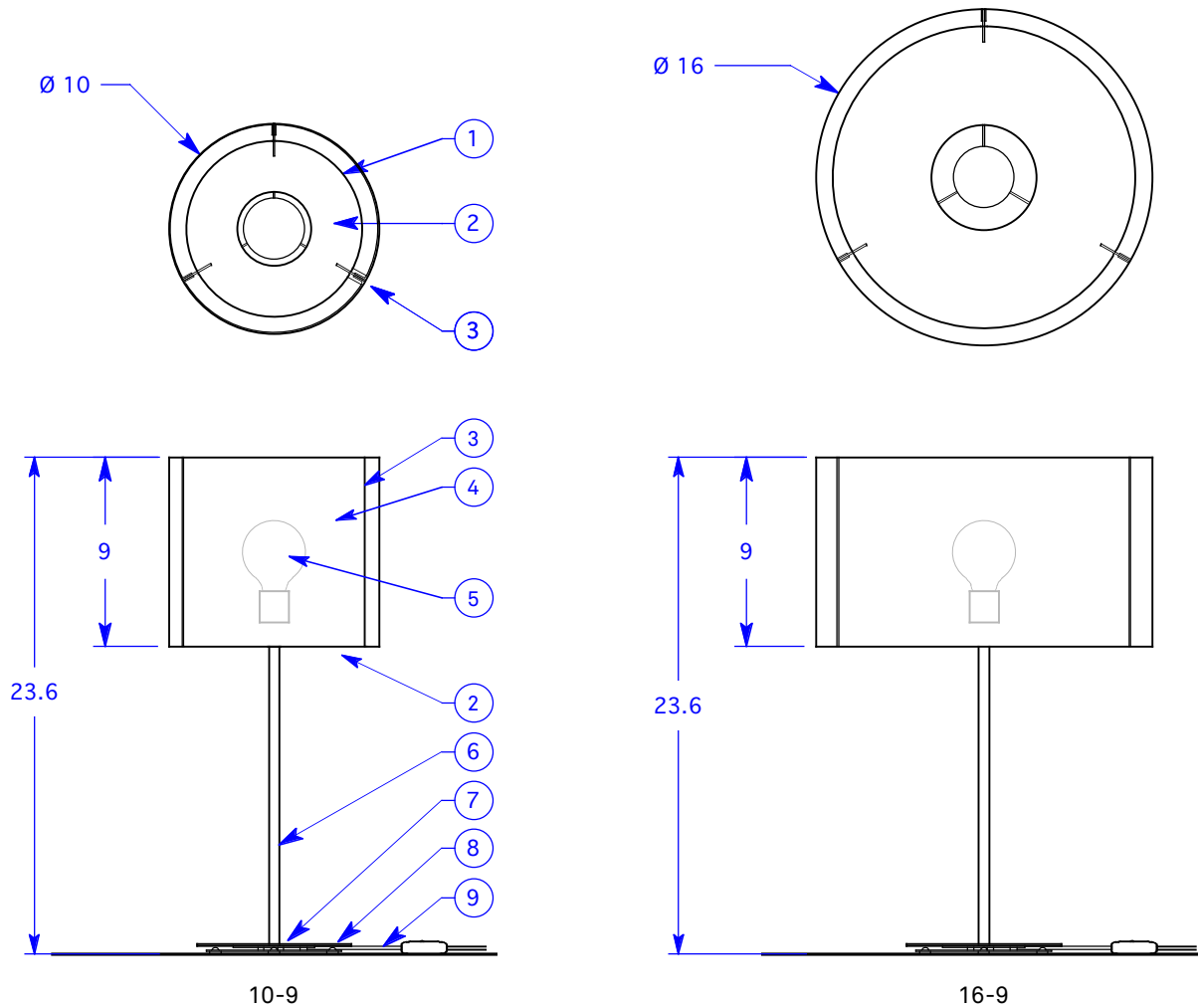


ALL DIMENSIONS IN INCHES



NOTES:

1. Frosted high-impact copolymer inner diffuser
2. Frosted high-impact copolymer diffusion disks at top and bottom
3. Powder coated spline
4. Carnegie Xorel fabric backed with high-impact copolymer sheet
5. TALA SPHERE II 90+CRI 480 source lumens dim to warm (2000K-2800K)
6. Powder coated Ø .5" stem
7. Powder coated Ø 7.4" faceplate
8. Black powder coated base plate with cord winding feature
9. Black electrical cord with inline hand dimmer

Type:	Quantity:
Approval Signature:	
Specifier:	
Date:	
<p>Smith E26 Table 6 Watt E26 (medium) base TALA SPHERE II LED dim-to-warm lamp, included 120V</p>	
<p>Shade configurations:</p> <p><input type="checkbox"/> 51059M - Ø 10 x 9</p> <p><input type="checkbox"/> 51659M - Ø 16 x 9</p>	
<p>Hardware finish:</p> <p><input type="checkbox"/> Matte Silver</p> <p><input type="checkbox"/> Bronze</p>	
<p>Xorel fabric selection:</p> <div style="border: 1px solid black; height: 20px; width: 100%;"></div>	
Date: 4.5.22	
<p>RESOLUTE</p> <p>4617 Colorado Ave. S, Unit A Seattle, WA 98134 T 206.343.9323 info@resoluteusa.com</p>	

